

# Dining Chair



KX4

ø1/4×32mm



GX10

ø4×38mm



FX2

ø6×18mm



EX2



AX1

5mm



BX2

ø6×65mm



CX4

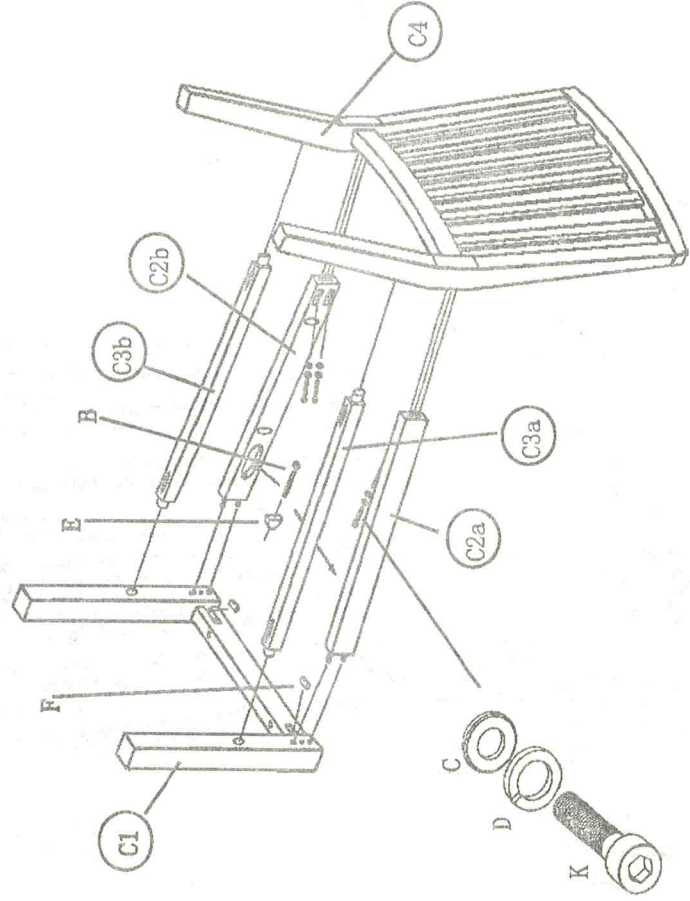
M6



DX4

M6

1



2

