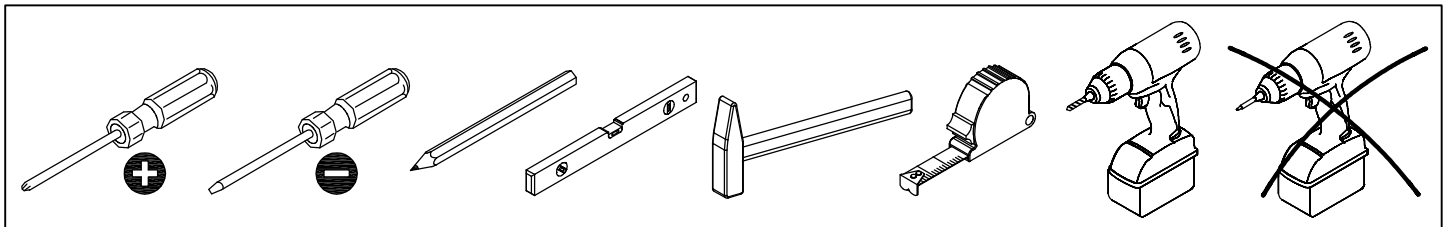
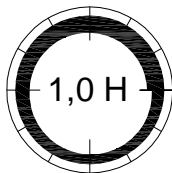
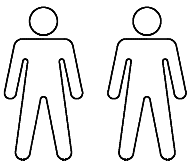
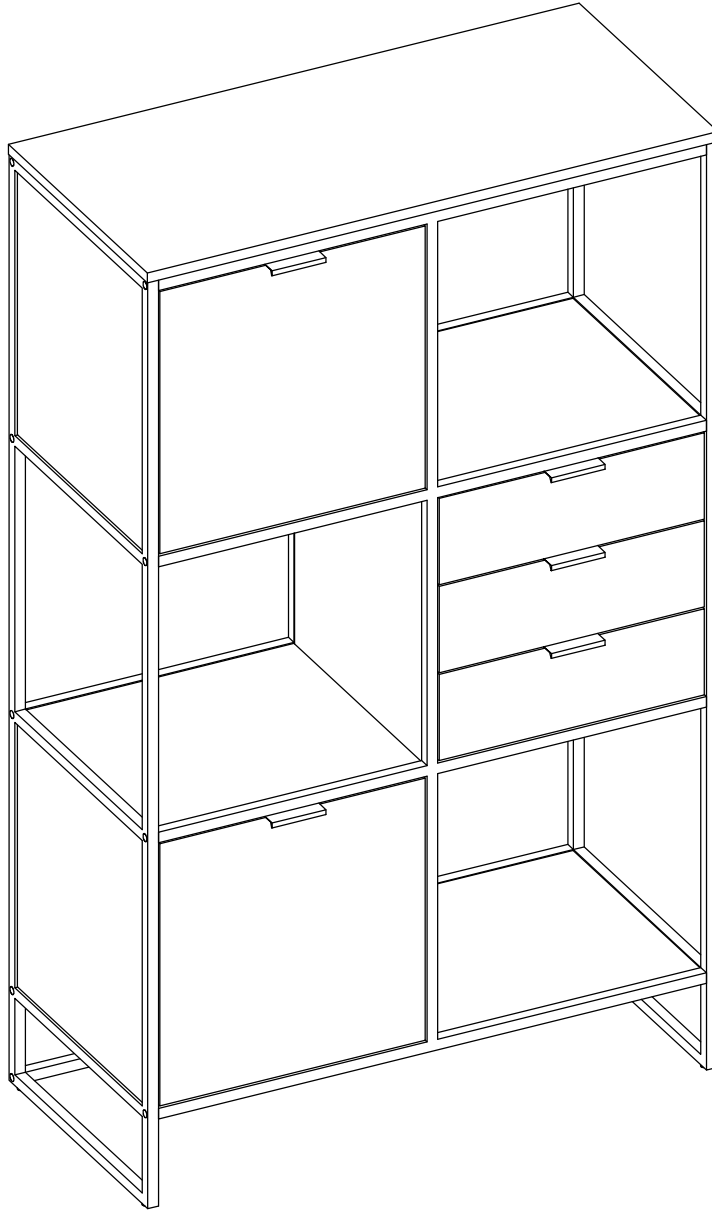
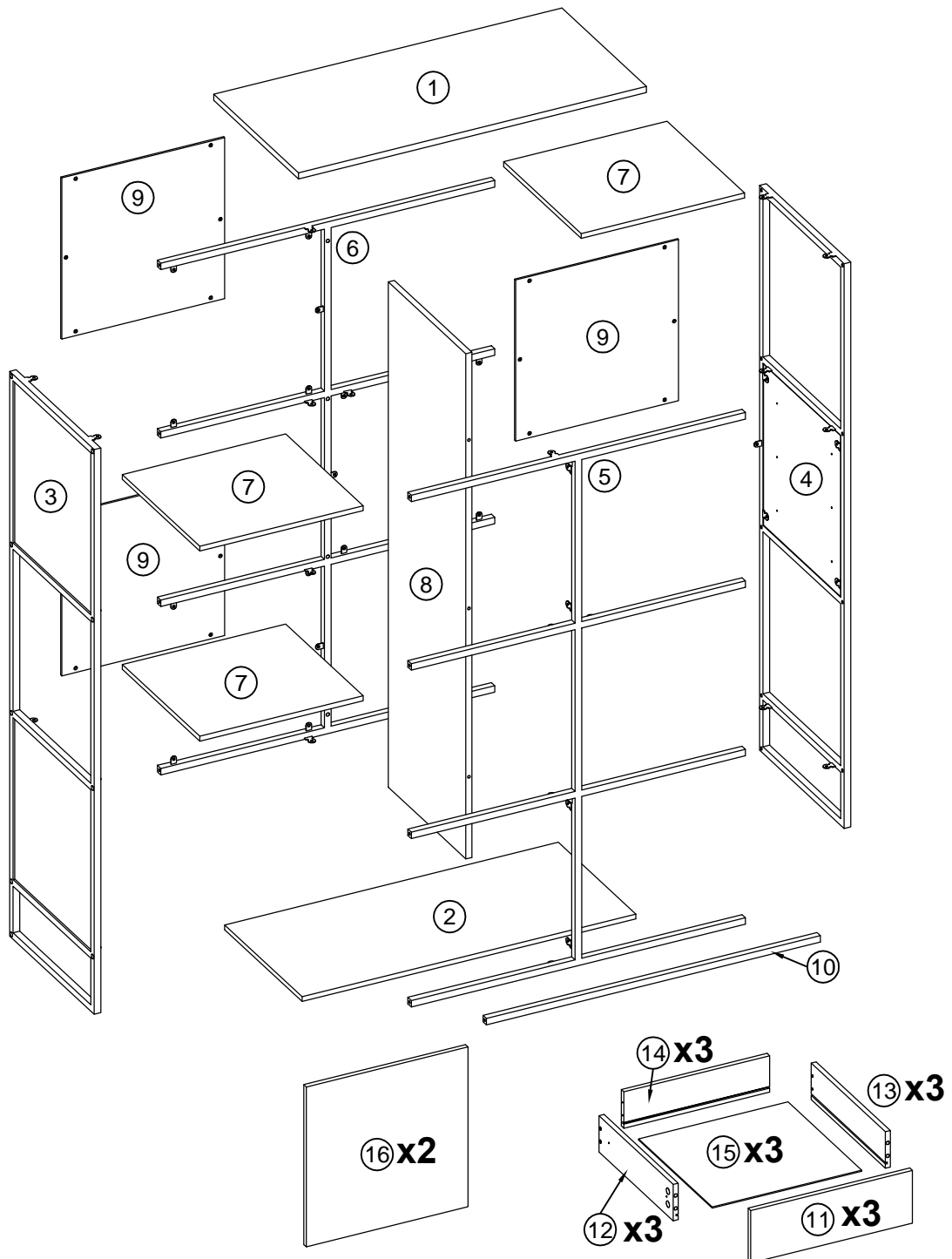


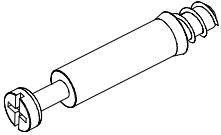
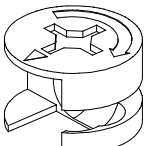
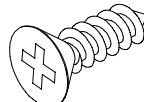
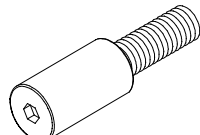
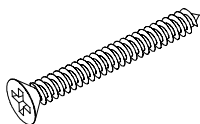
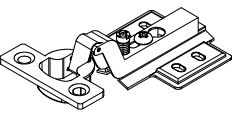
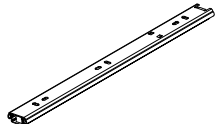
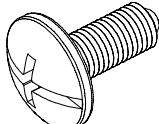
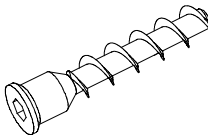
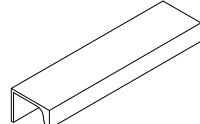
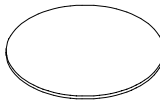
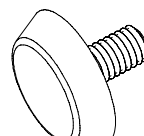
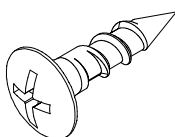
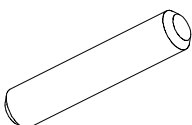
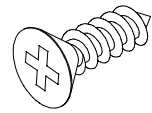

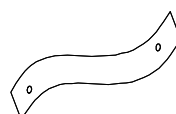
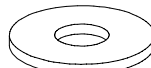
SWINDON



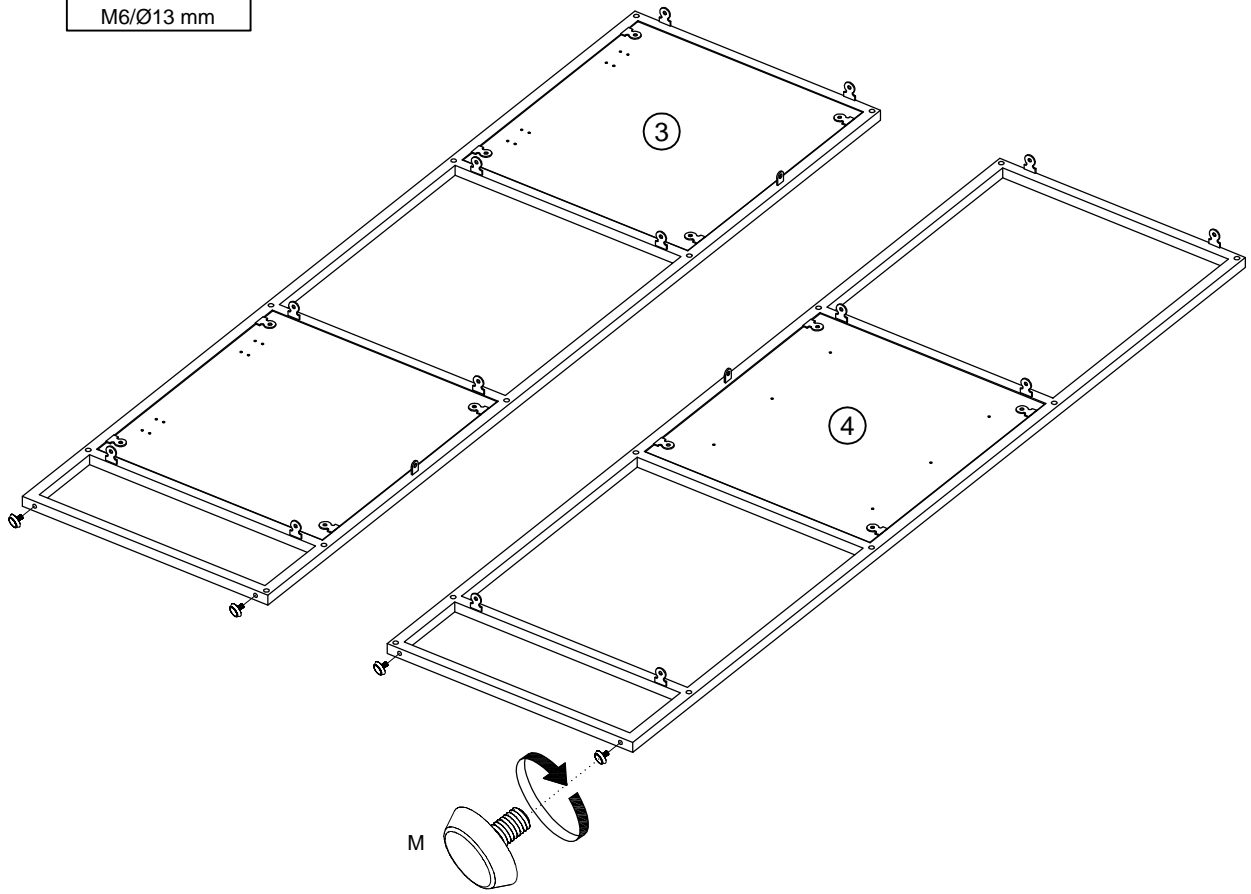
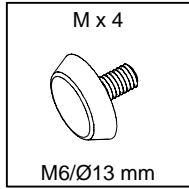
			✓
①	1	851x400x15	
②	1	815x367x12	
③	1	1395x400x42	
④	1	1395x400x42	
⑤	1	1264x816x42	
⑥	1	1264x816x42	
⑦	3	399x367x12	
⑧	1	1246x367x15	

			✓
⑨	3	399x399x4.75	
⑩	1	816x16x16	
⑪	3	395x129x12	
⑫	3	350x90x12	
⑬	3	350x90x12	
⑭	3	356x90x12	
⑮	3	364x347x2.75	
⑯	2	395x395x12	

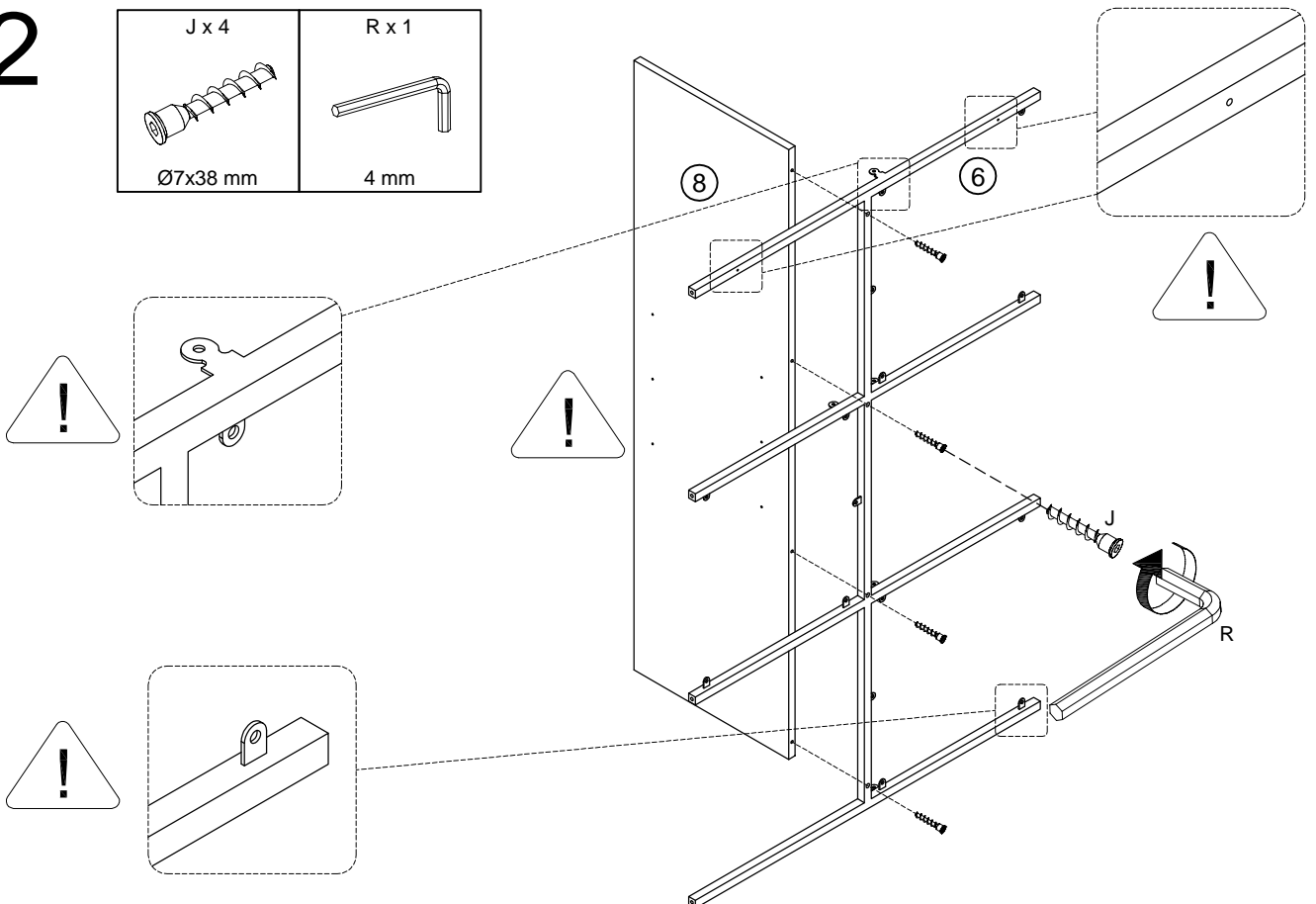
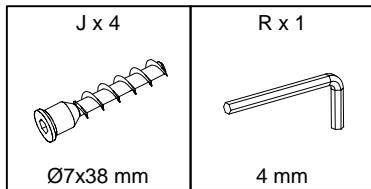


<p>A x 12</p>  <p>Ø6,3x35 mm</p>	<p>B x 12</p>  <p>Ø15x9 mm</p>	<p>C x 54</p>  <p>Ø3,5x12 mm</p>	<p>D x 18</p>  <p>M6x15 mm</p>	<p>E x 12</p>  <p>Ø4x35 mm</p>
<p>F x 4</p>  <p>Ø35/FK17</p>	<p>G x 6</p>  <p>350 mm</p>	<p>H x 18</p>  <p>M6x10 mm</p>	<p>J x 4</p>  <p>Ø7x38 mm</p>	<p>K x 5</p>  <p>80x32x18 mm</p>
<p>L x 12</p>  <p>Ø20 mm</p>	<p>M x 4</p>  <p>M6/Ø13 mm</p>	<p>N x 30</p>  <p>Ø4x12 mm</p>	<p>P x 3</p>  <p>Ø6x30 mm</p>	<p>Q x 4</p>  <p>Ø3,5x12 mm</p>
<p>R x 1</p>  <p>4 mm</p>	<p>S x 2</p>  <p>150 mm</p>	<p>T x 4</p>  <p>Ø6/Ø16 mm</p>		

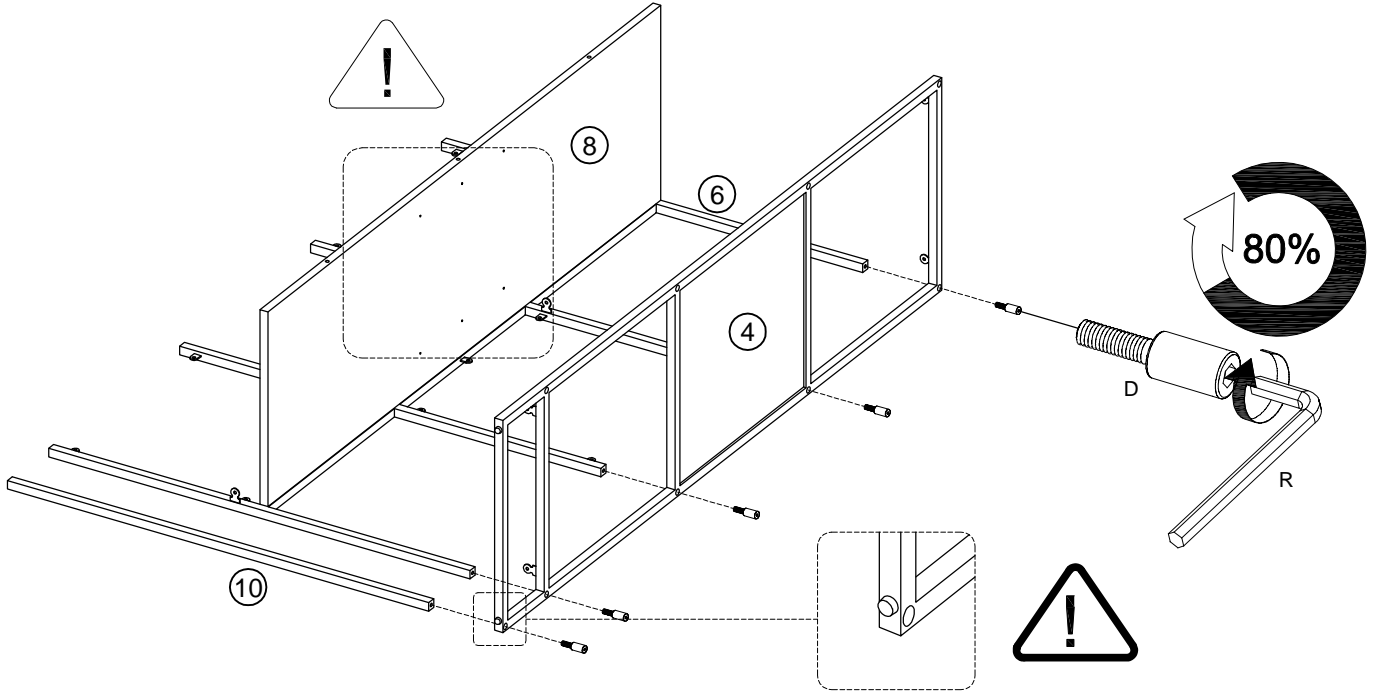
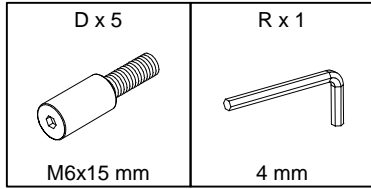
1



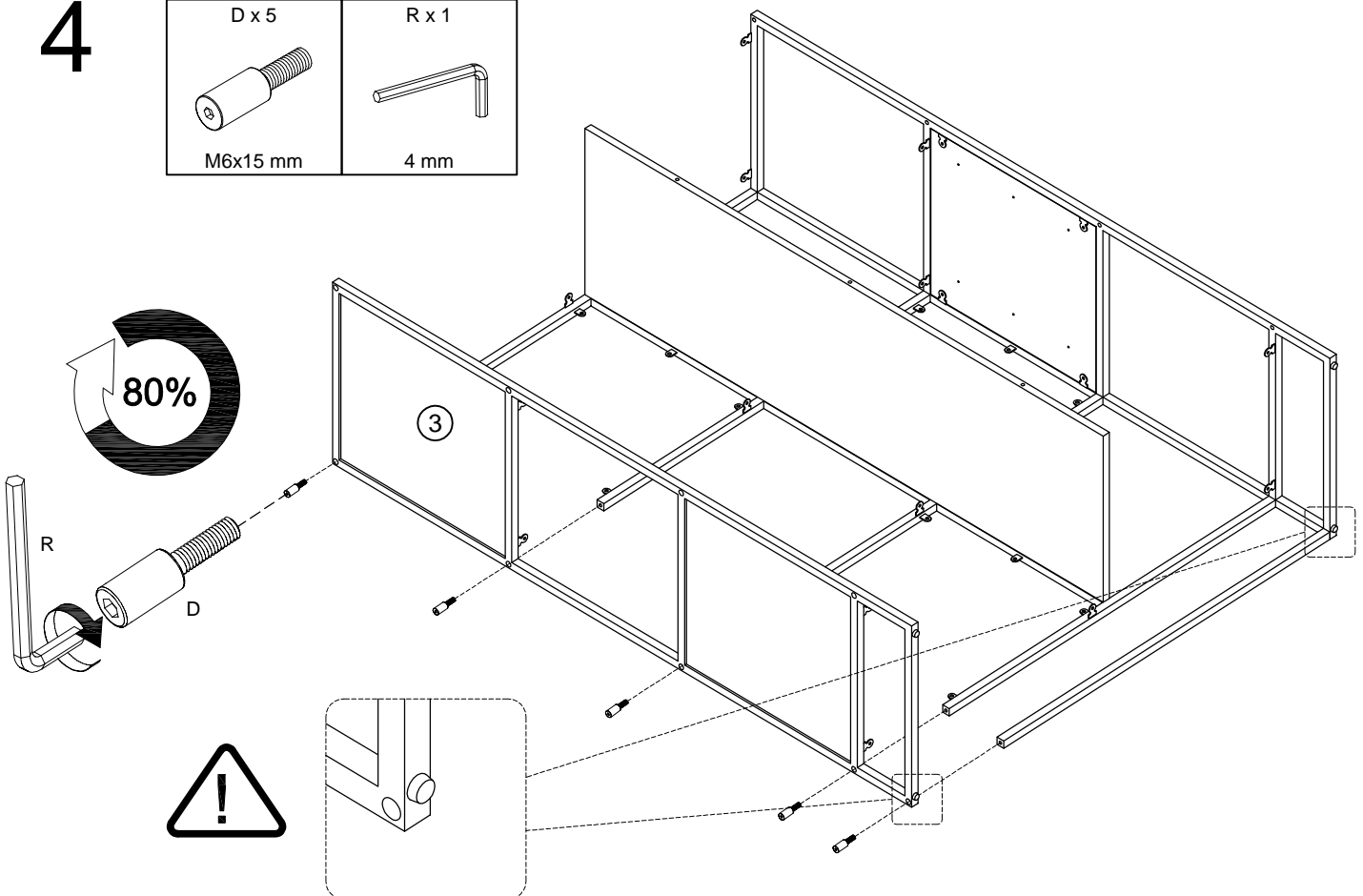
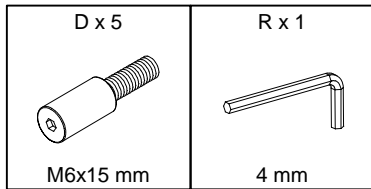
2



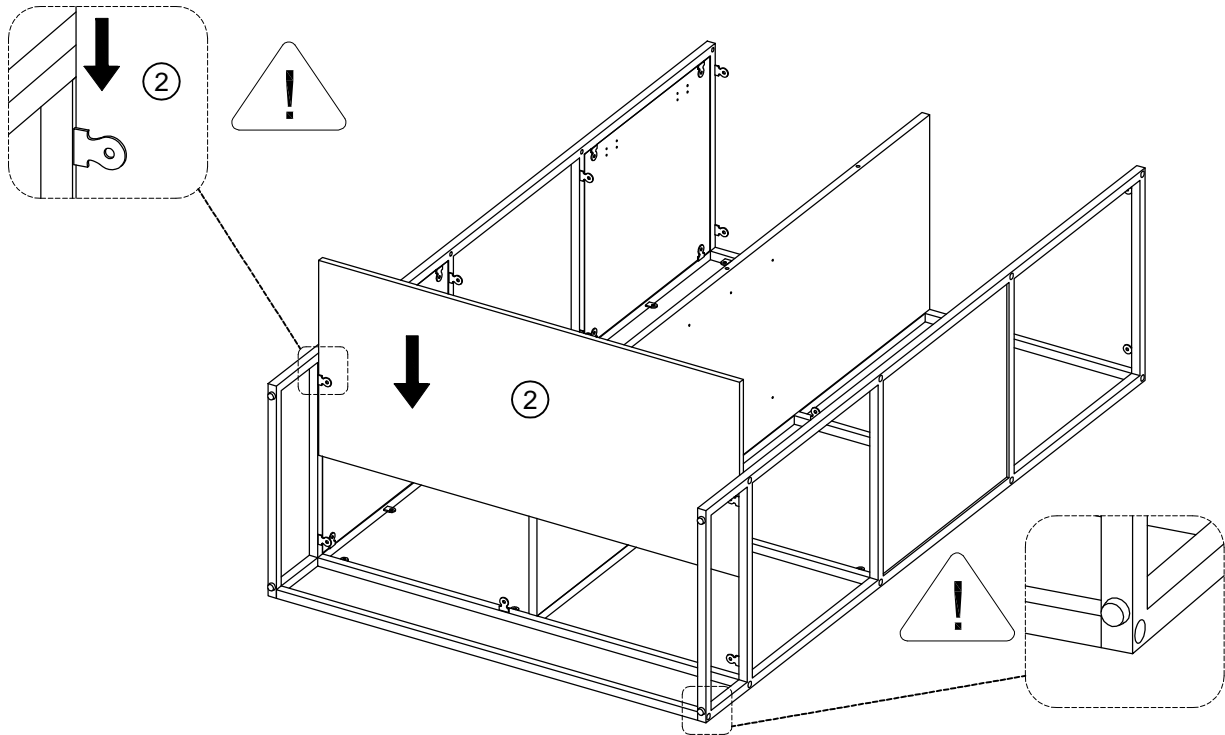
3



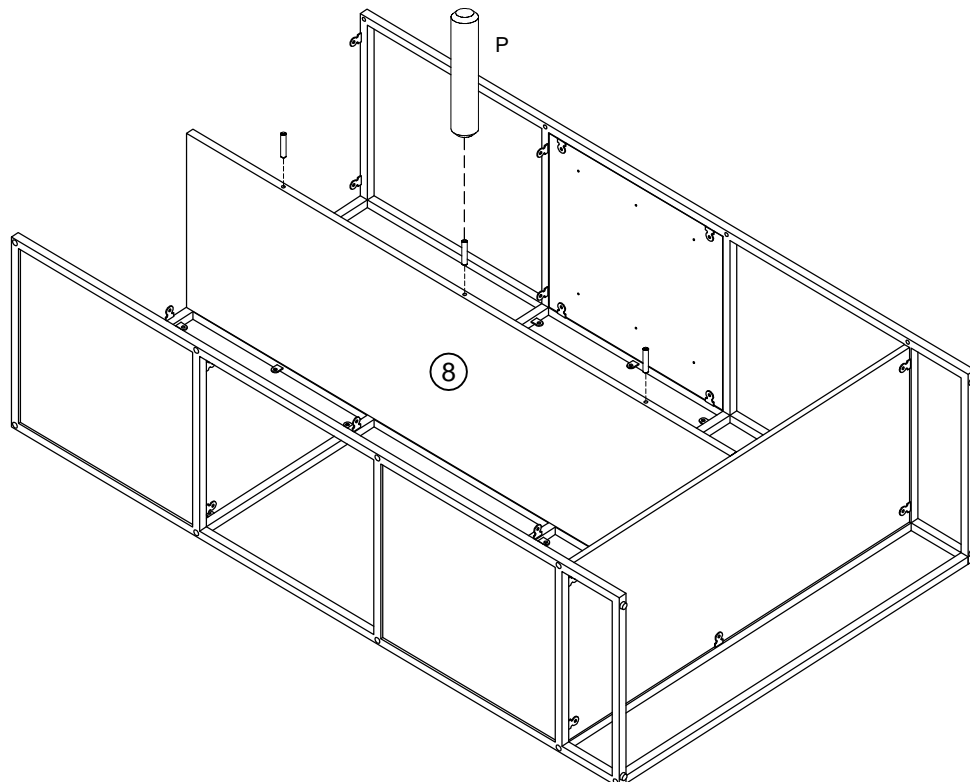
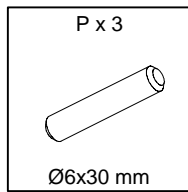
4



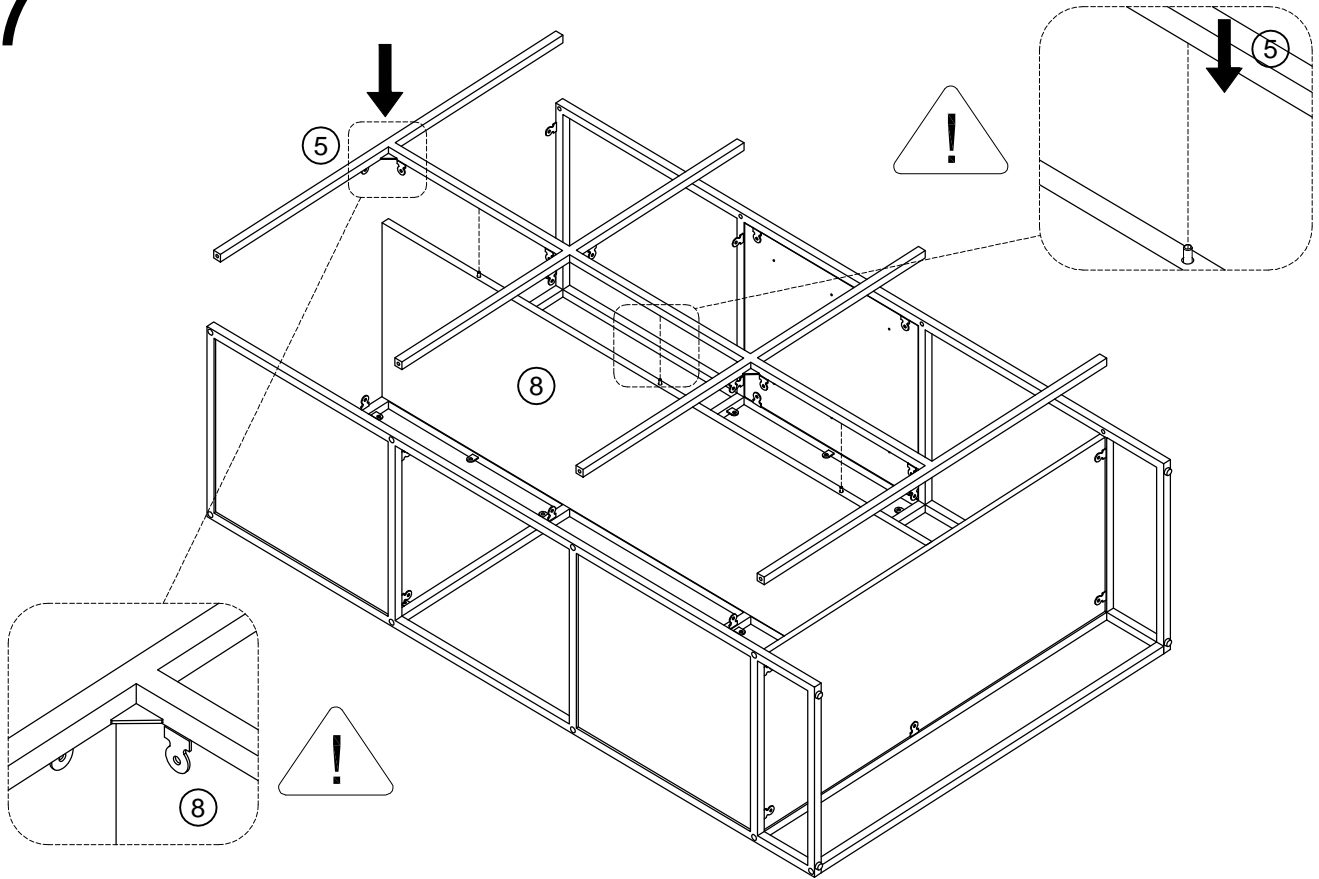
5



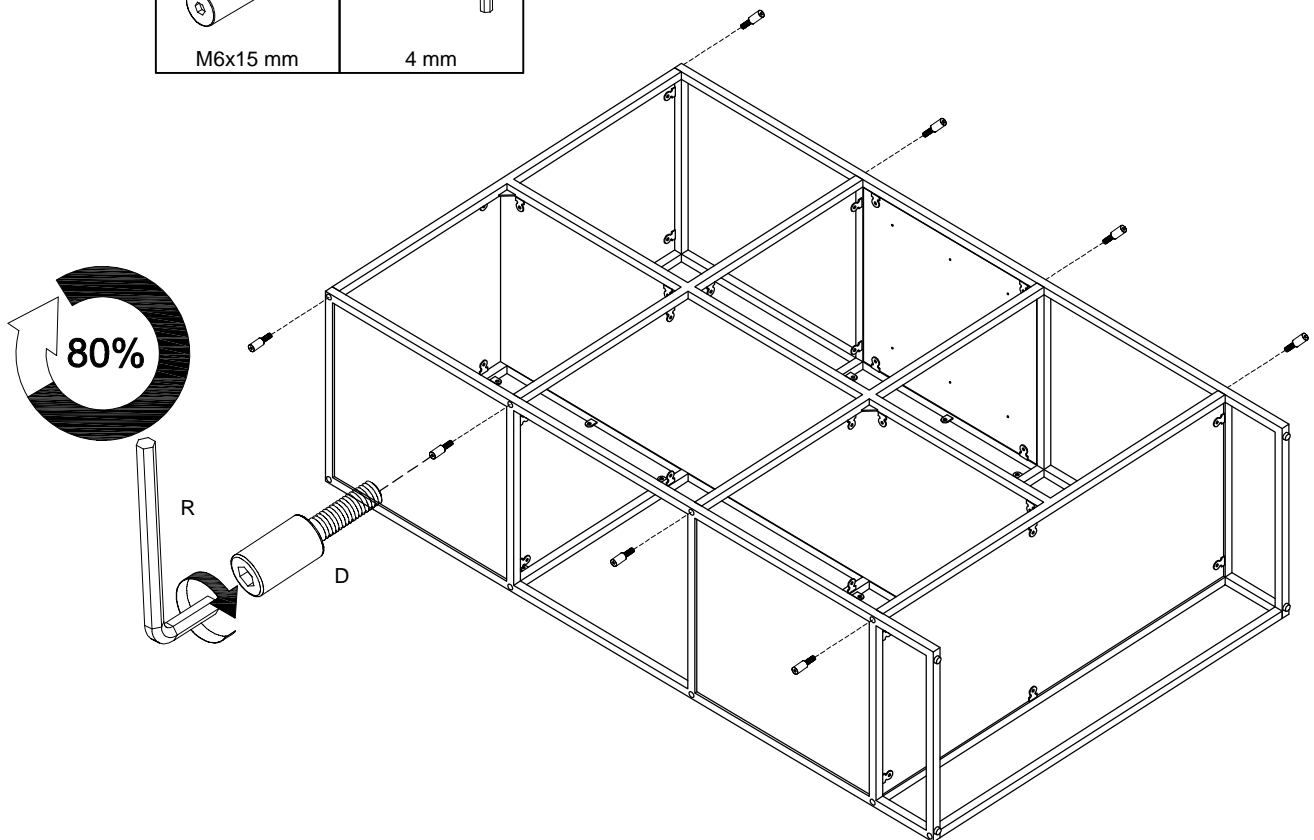
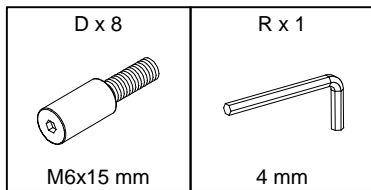
6



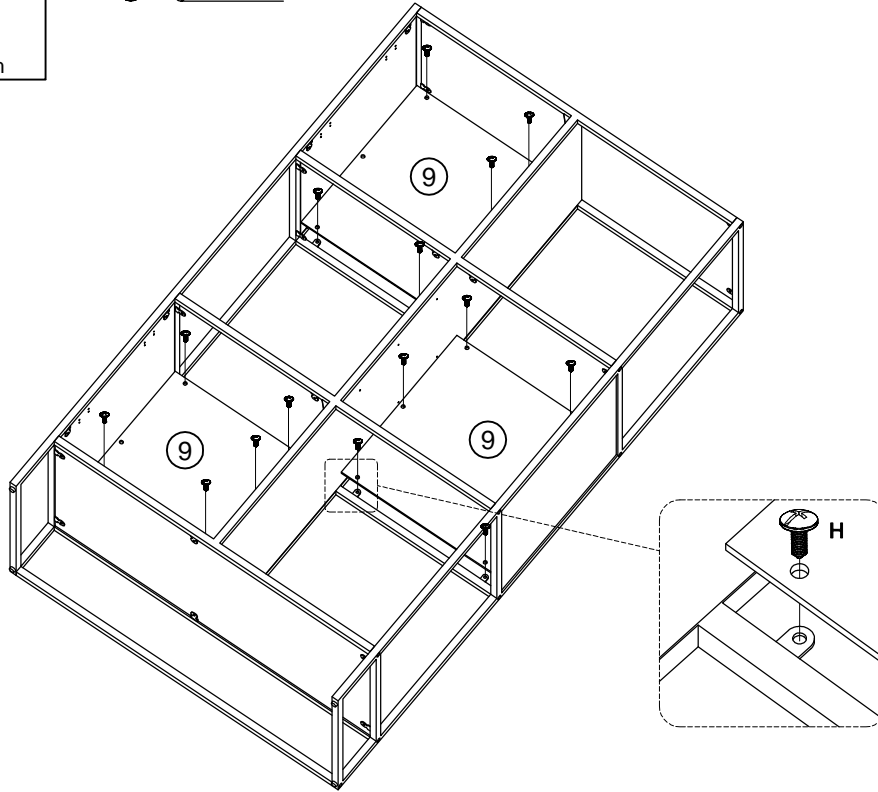
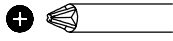
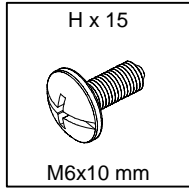
7



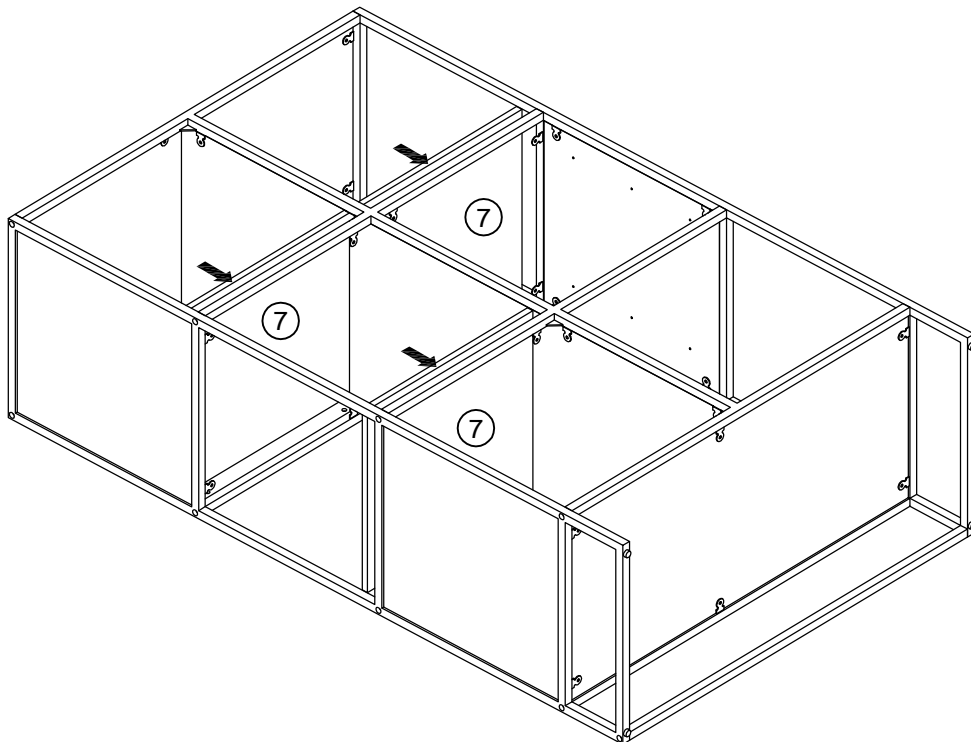
8



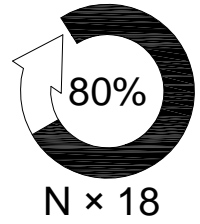
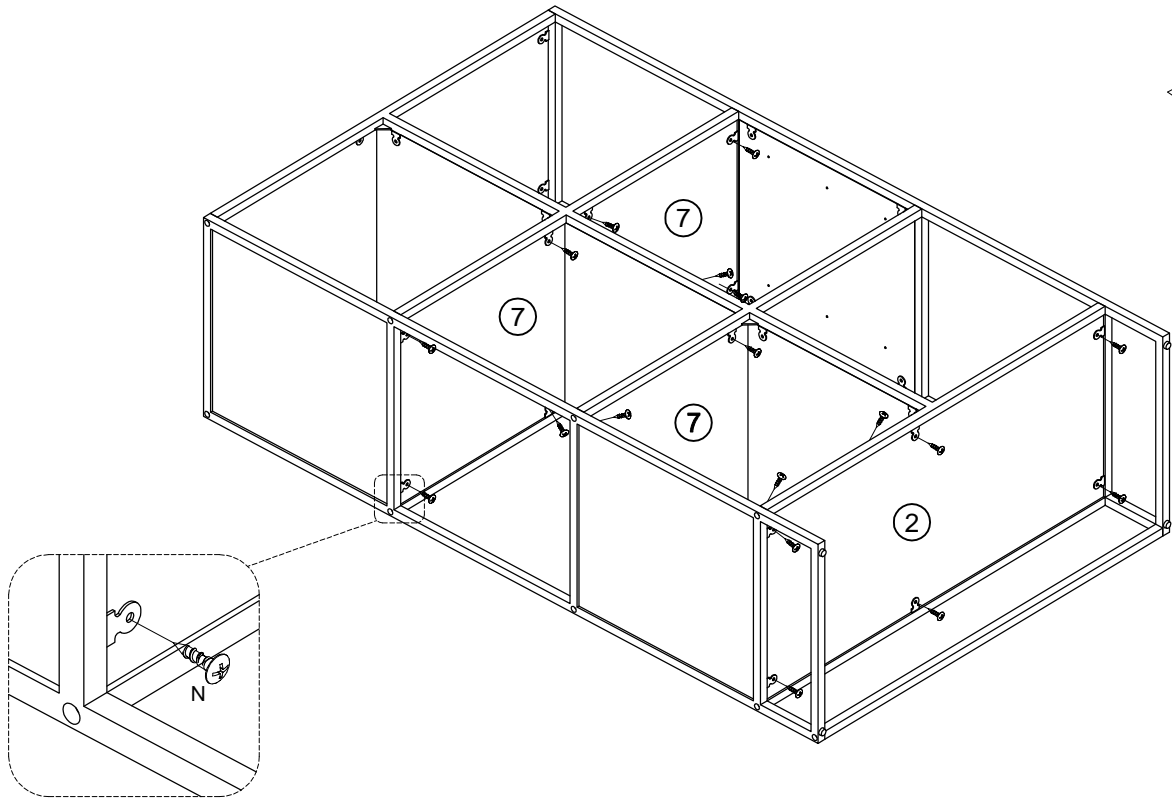
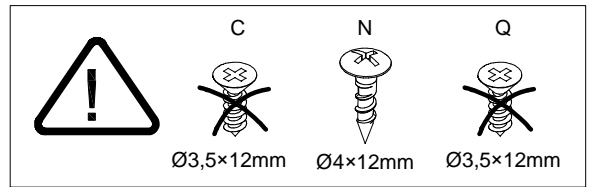
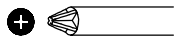
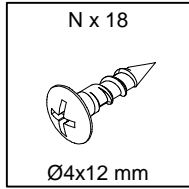
9



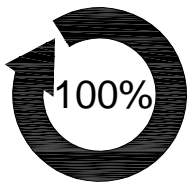
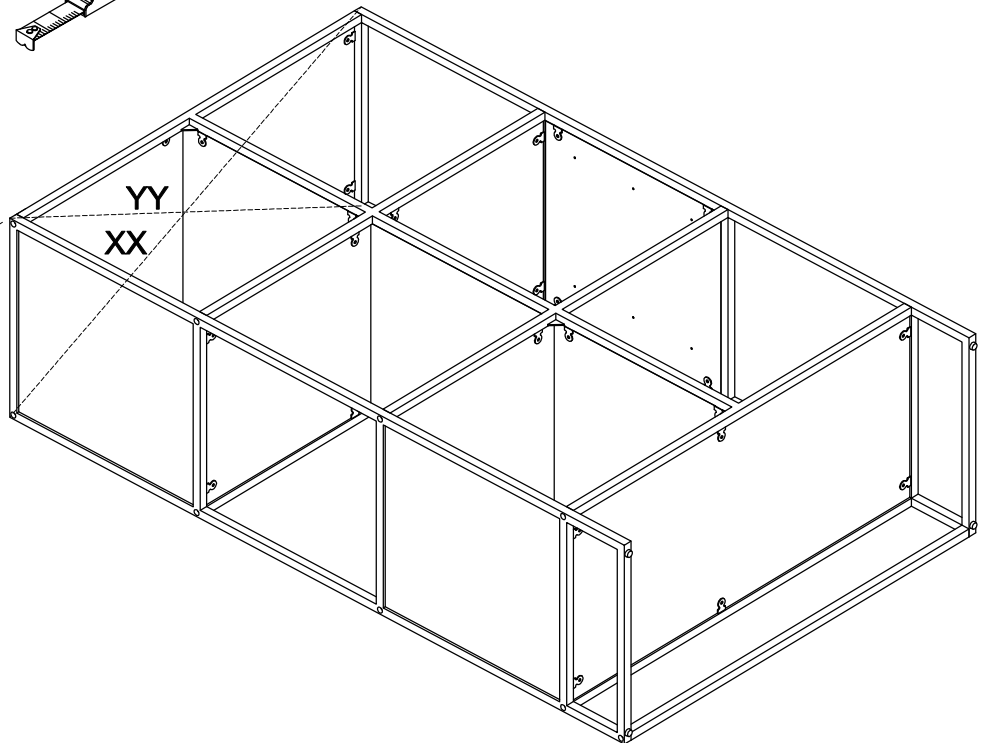
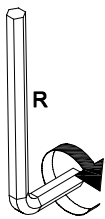
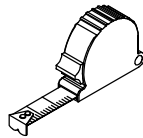
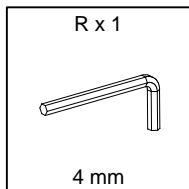
10



11

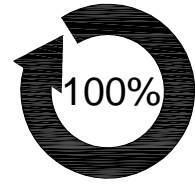
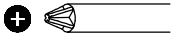


12

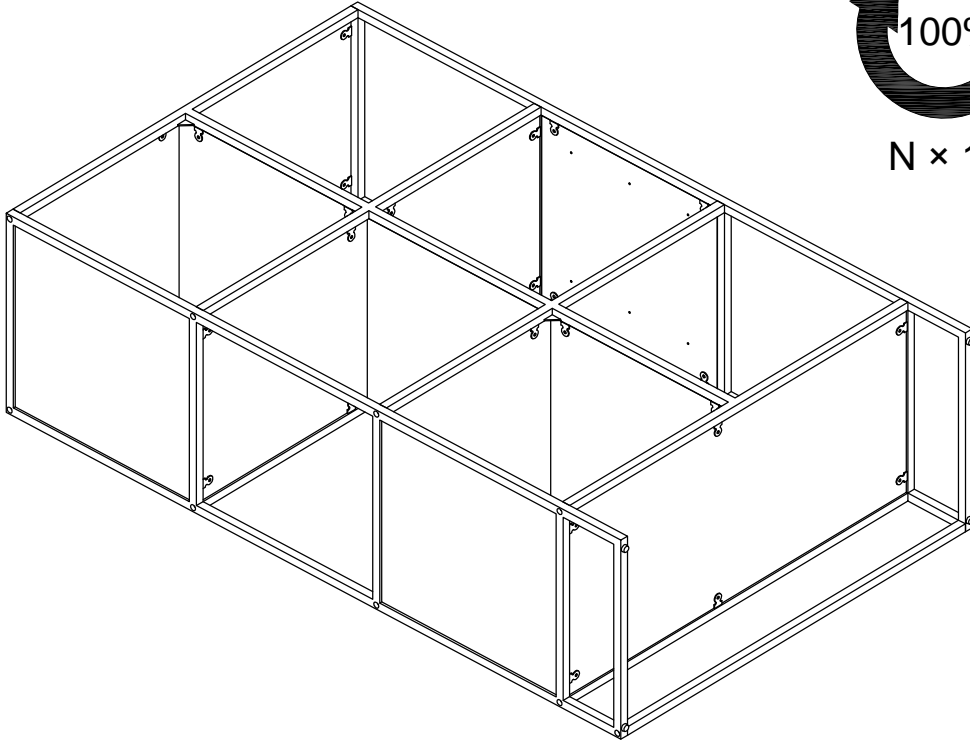


D x 18

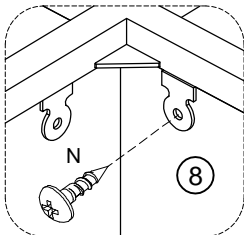
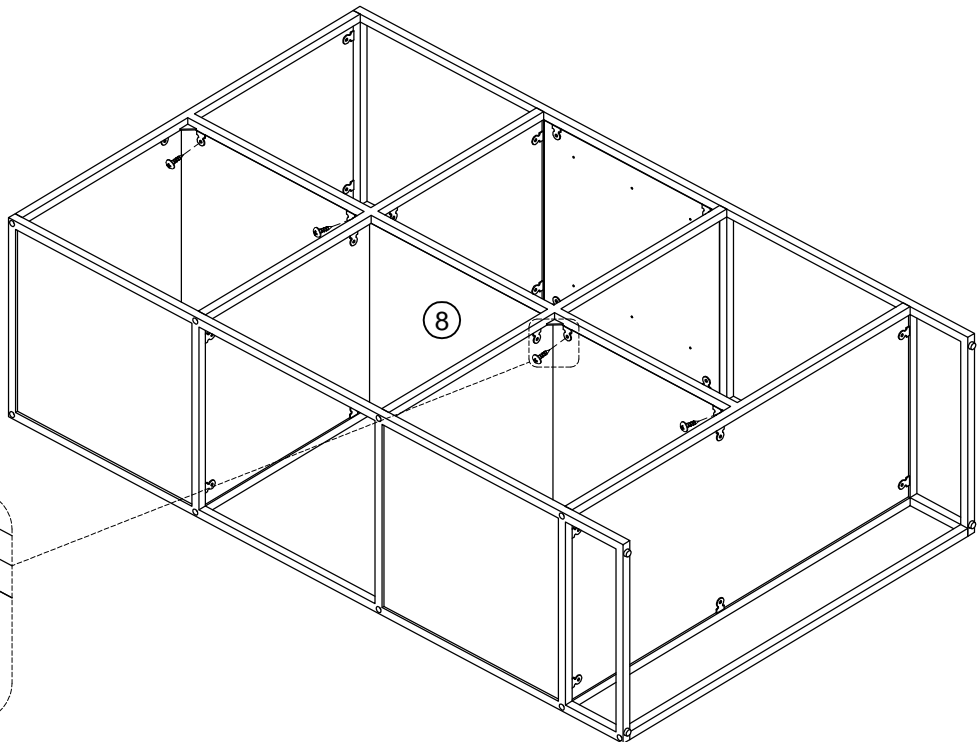
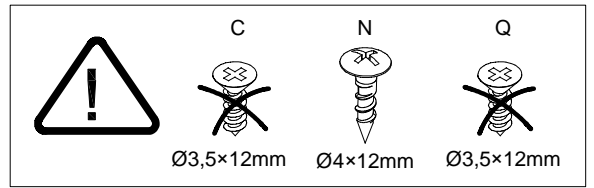
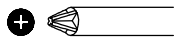
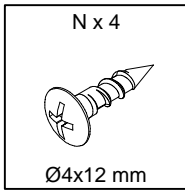
13



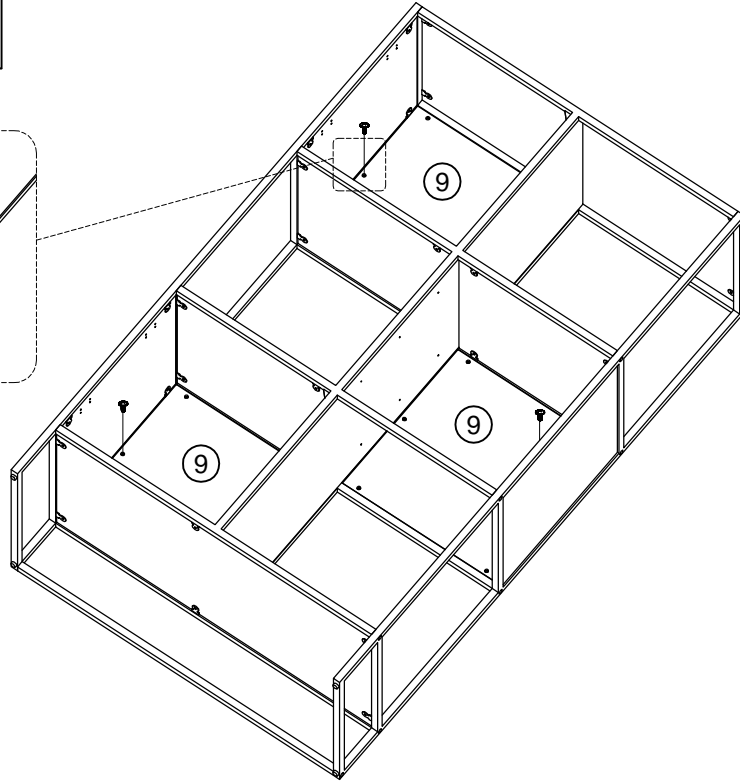
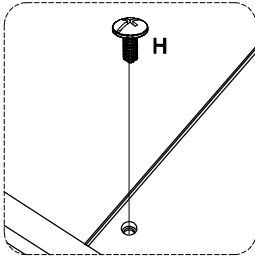
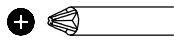
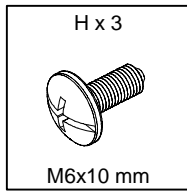
N x 18



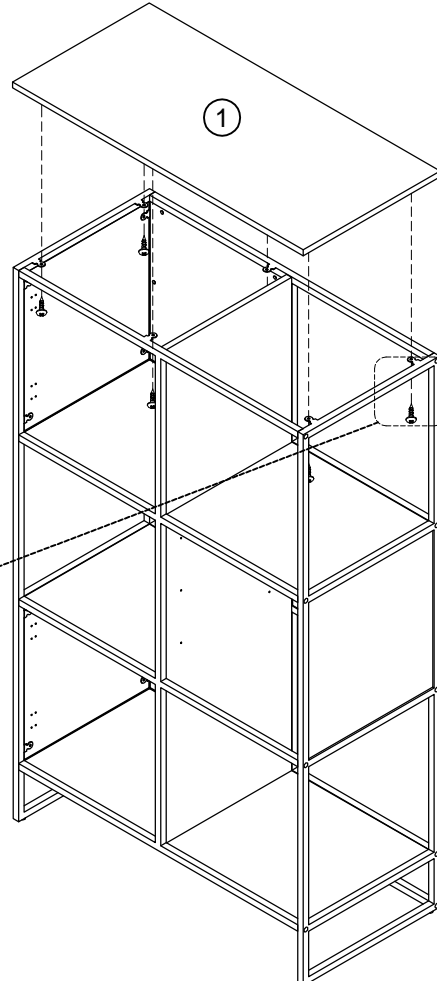
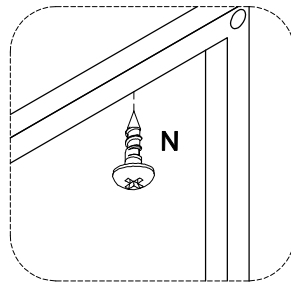
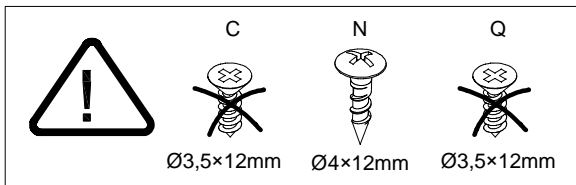
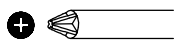
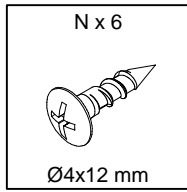
14



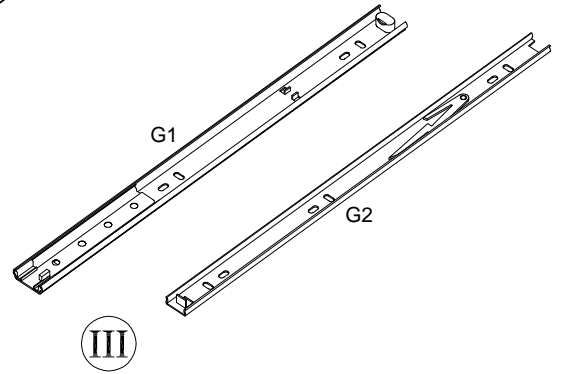
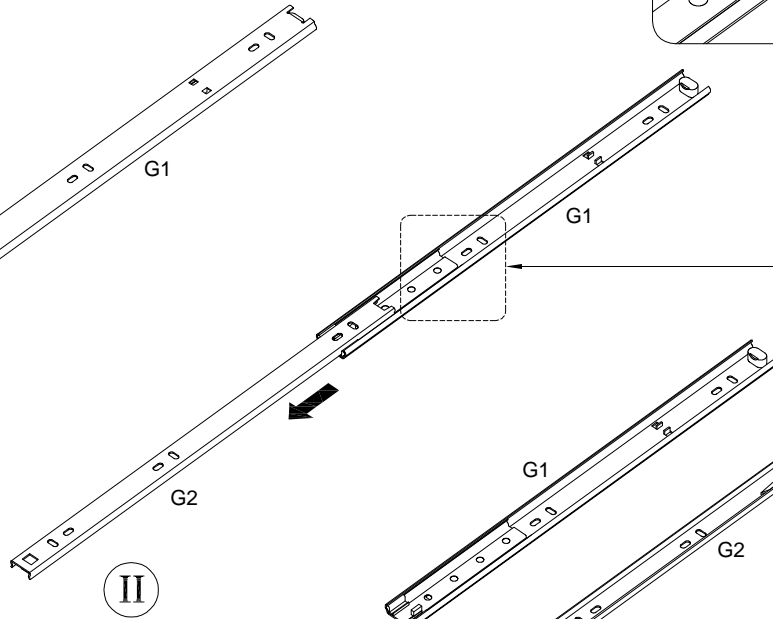
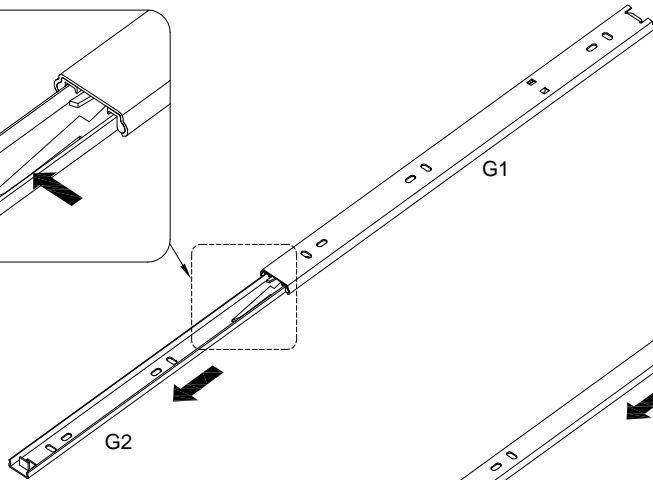
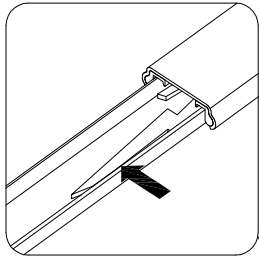
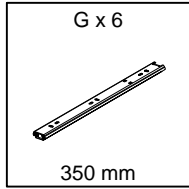
15



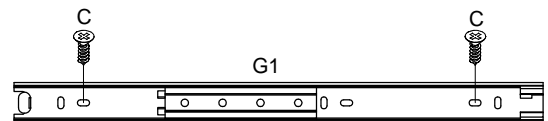
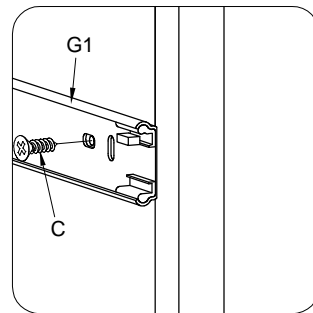
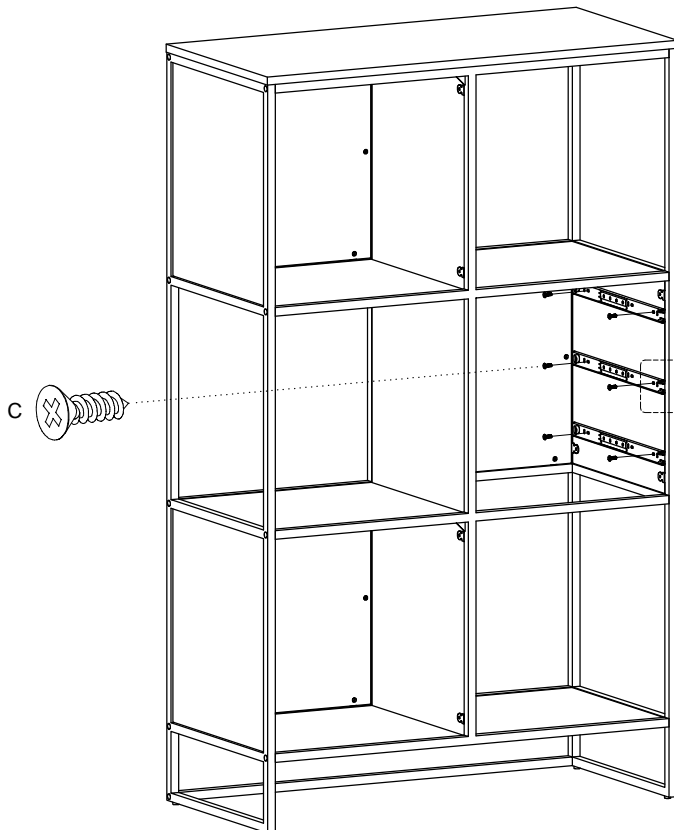
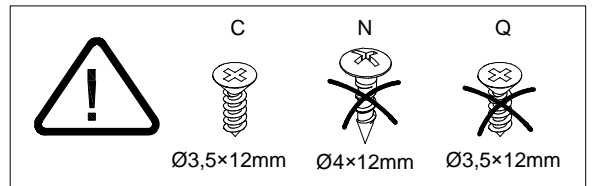
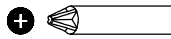
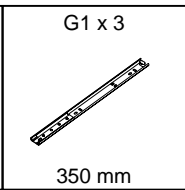
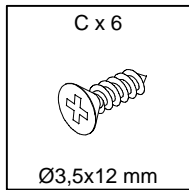
16



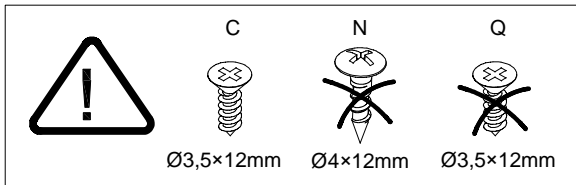
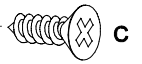
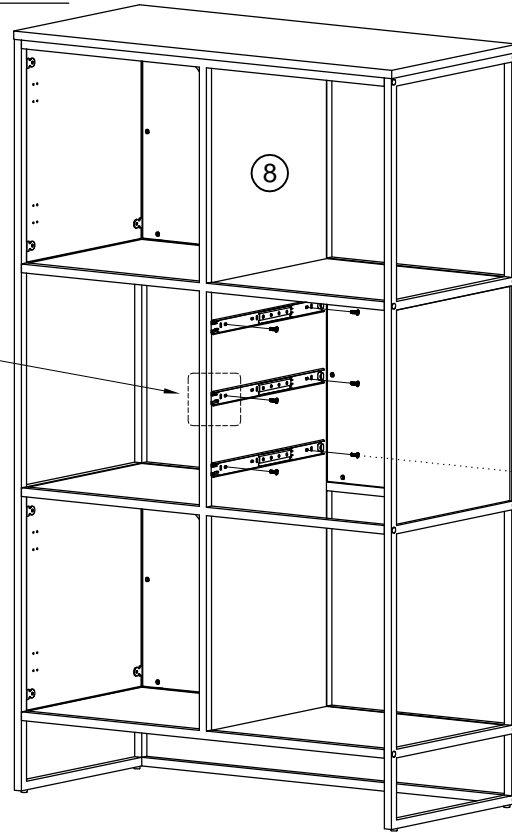
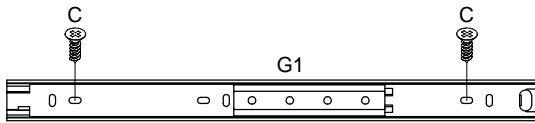
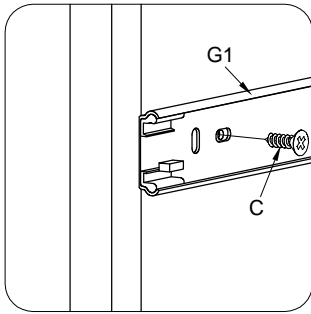
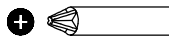
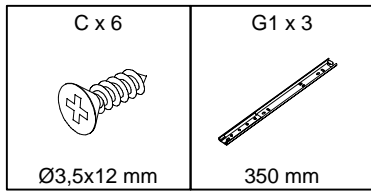
17



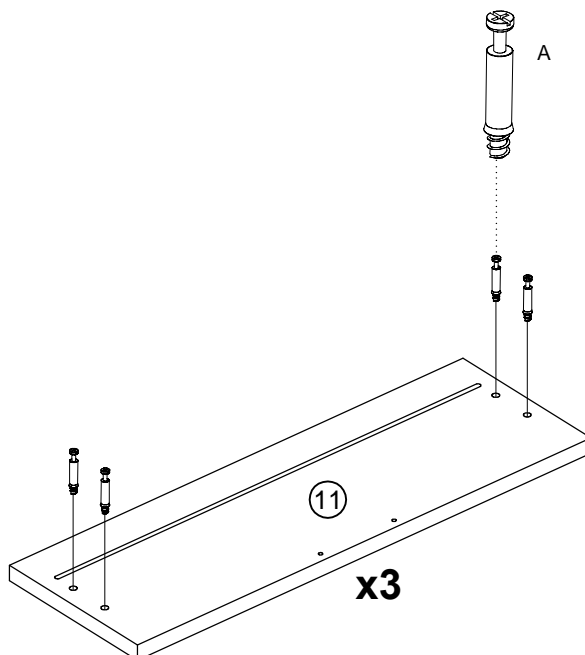
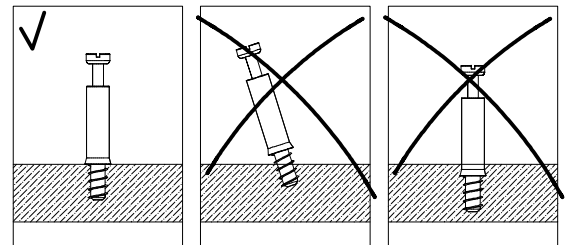
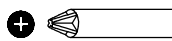
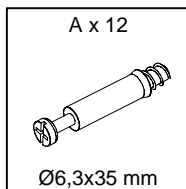
18



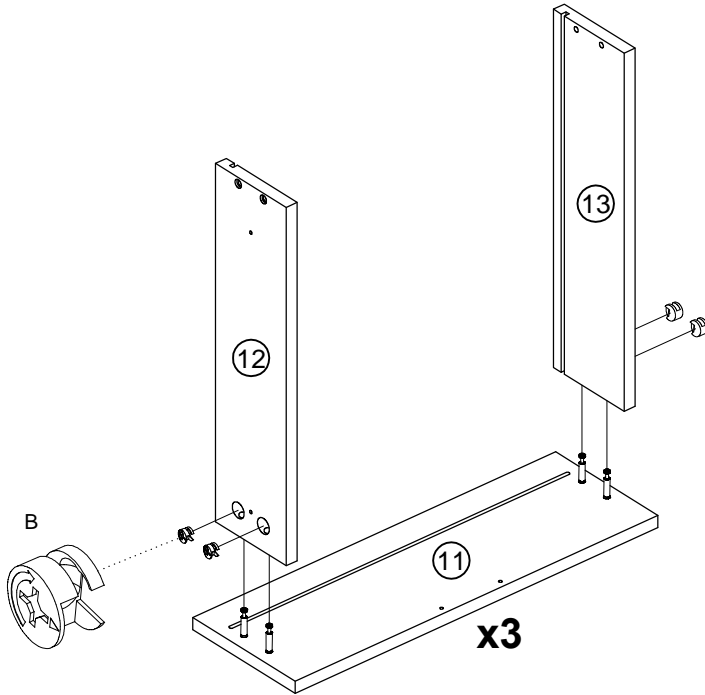
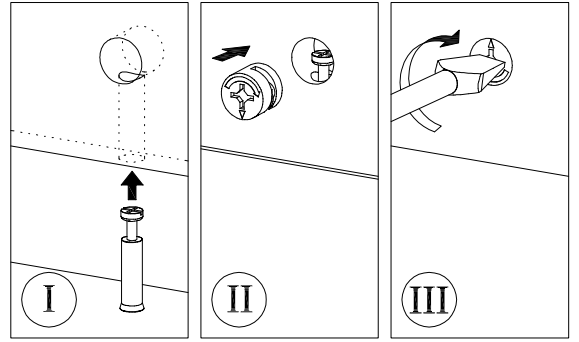
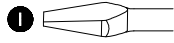
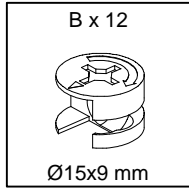
19



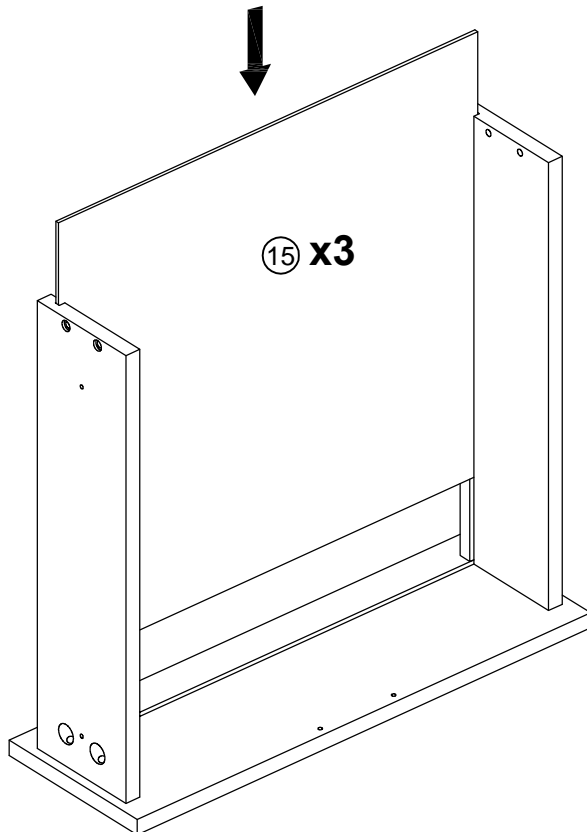
20



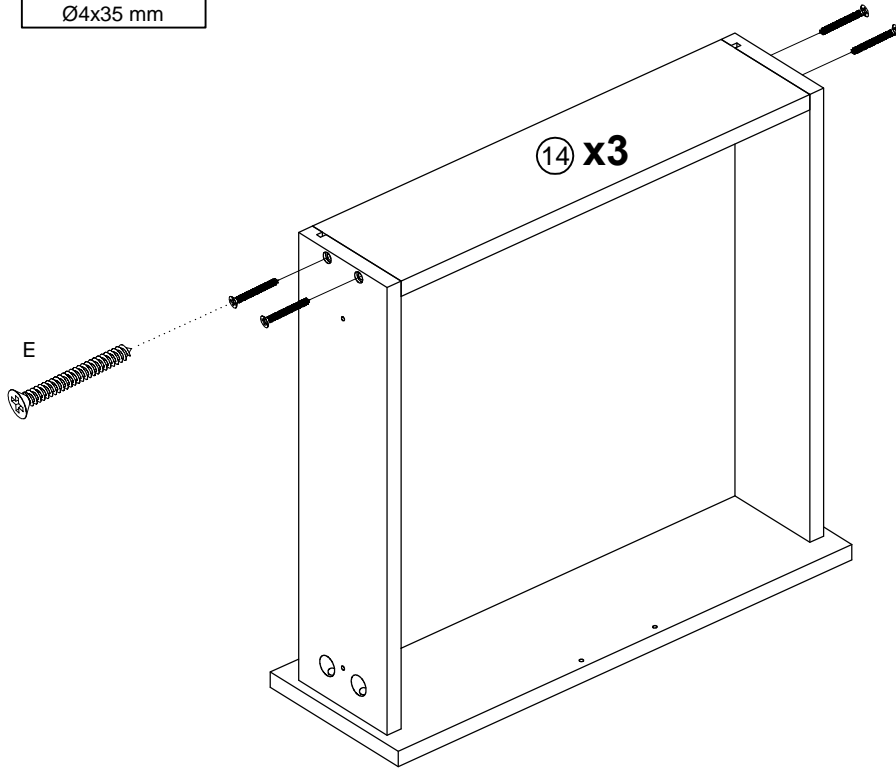
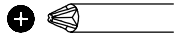
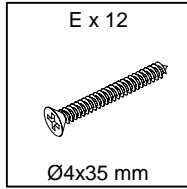
21



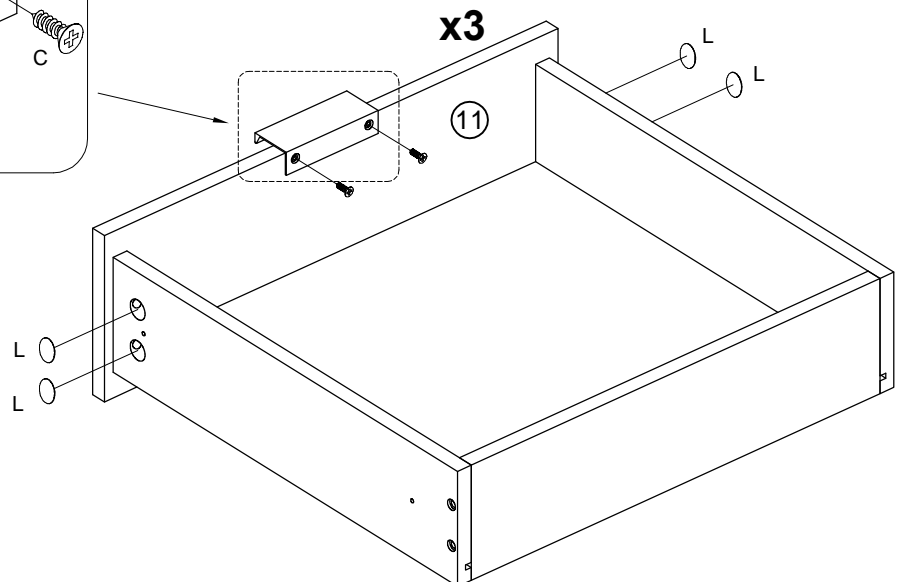
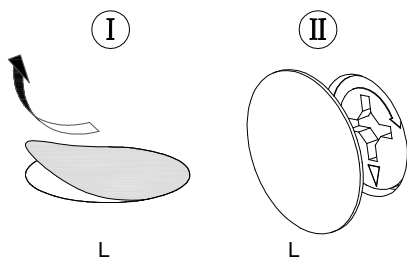
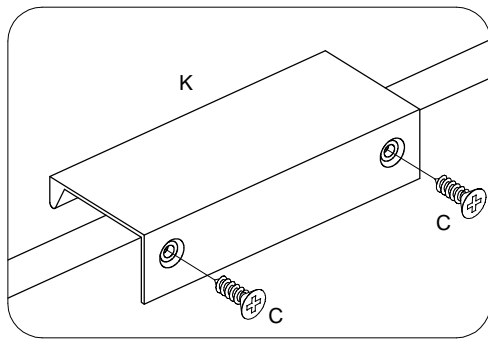
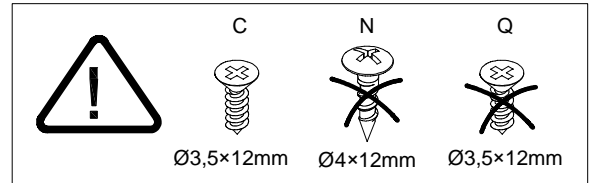
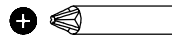
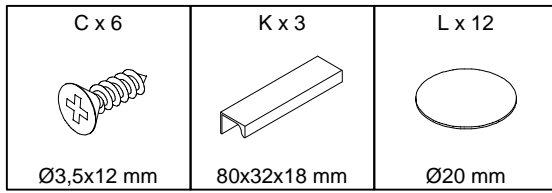
22



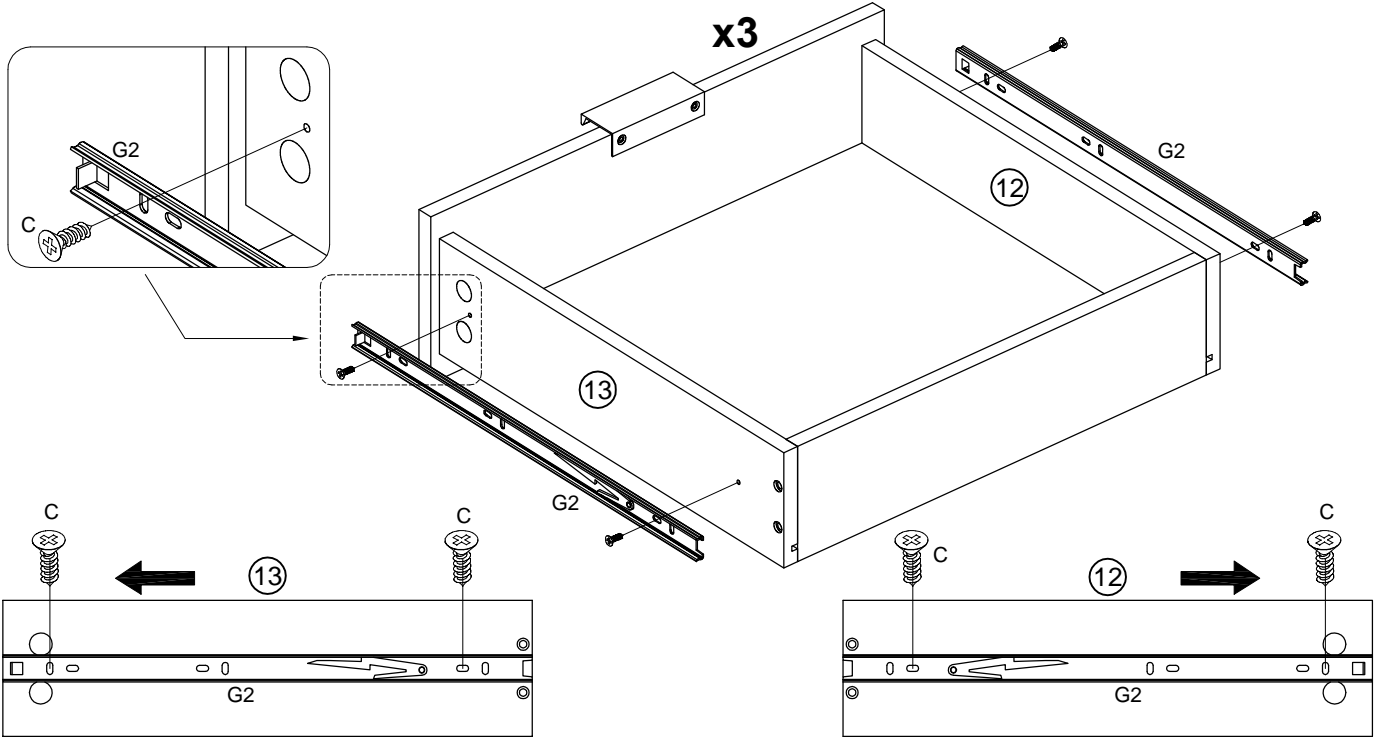
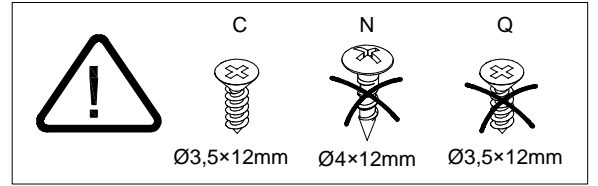
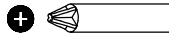
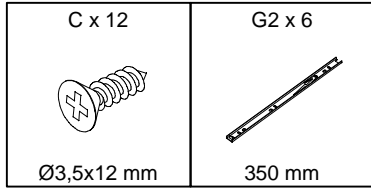
23



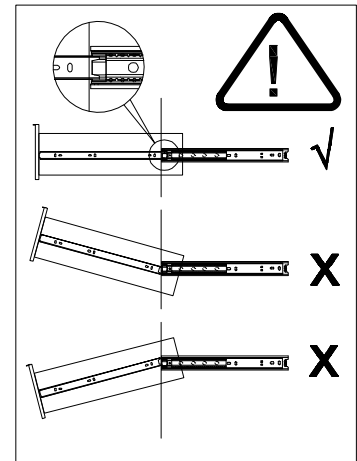
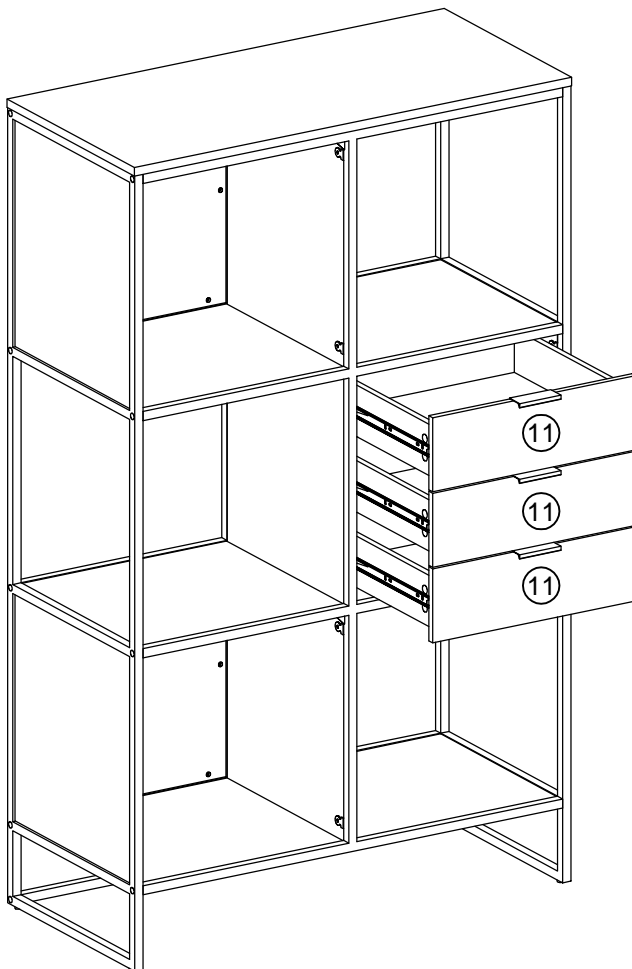
24



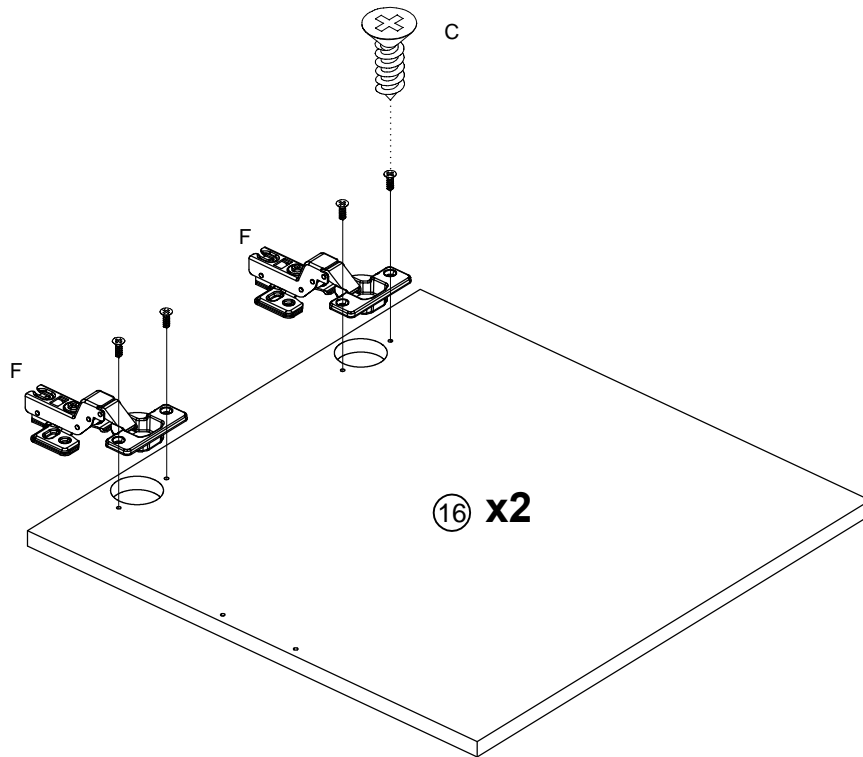
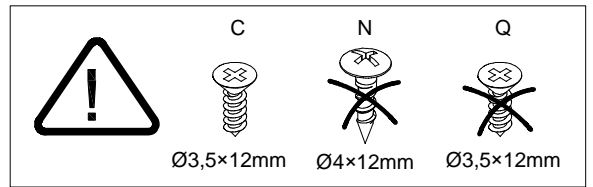
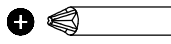
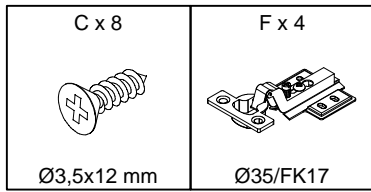
25



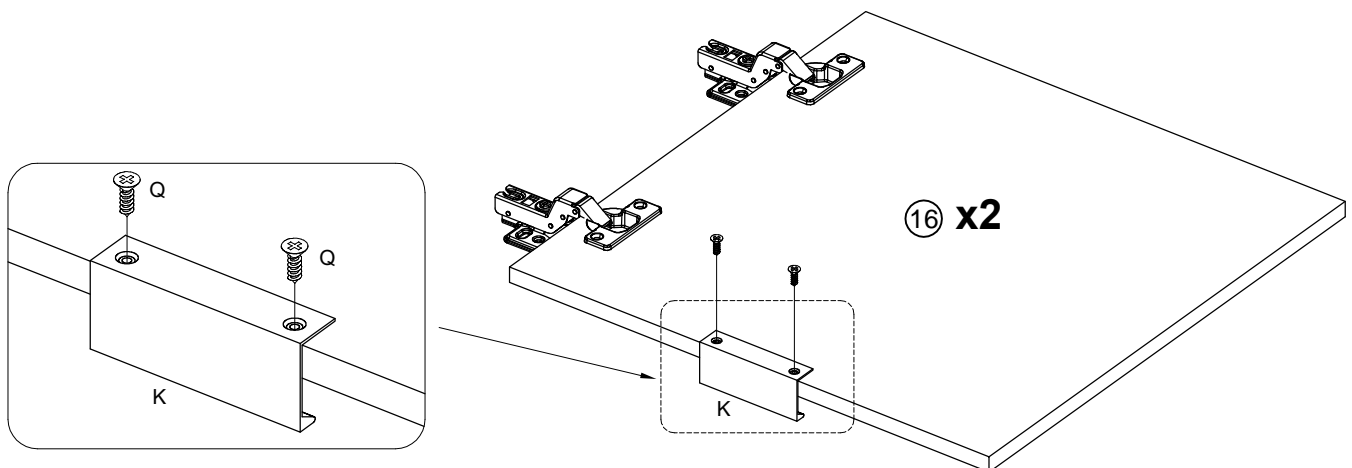
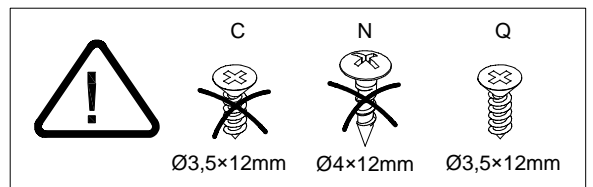
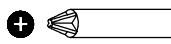
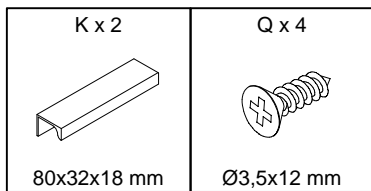
26



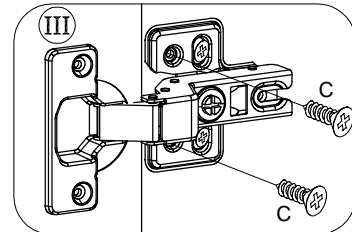
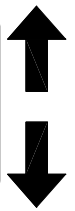
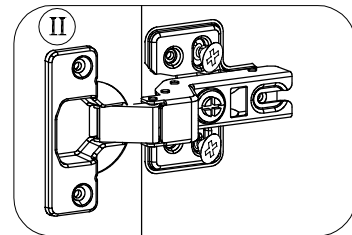
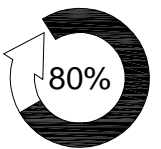
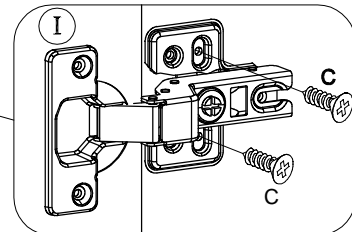
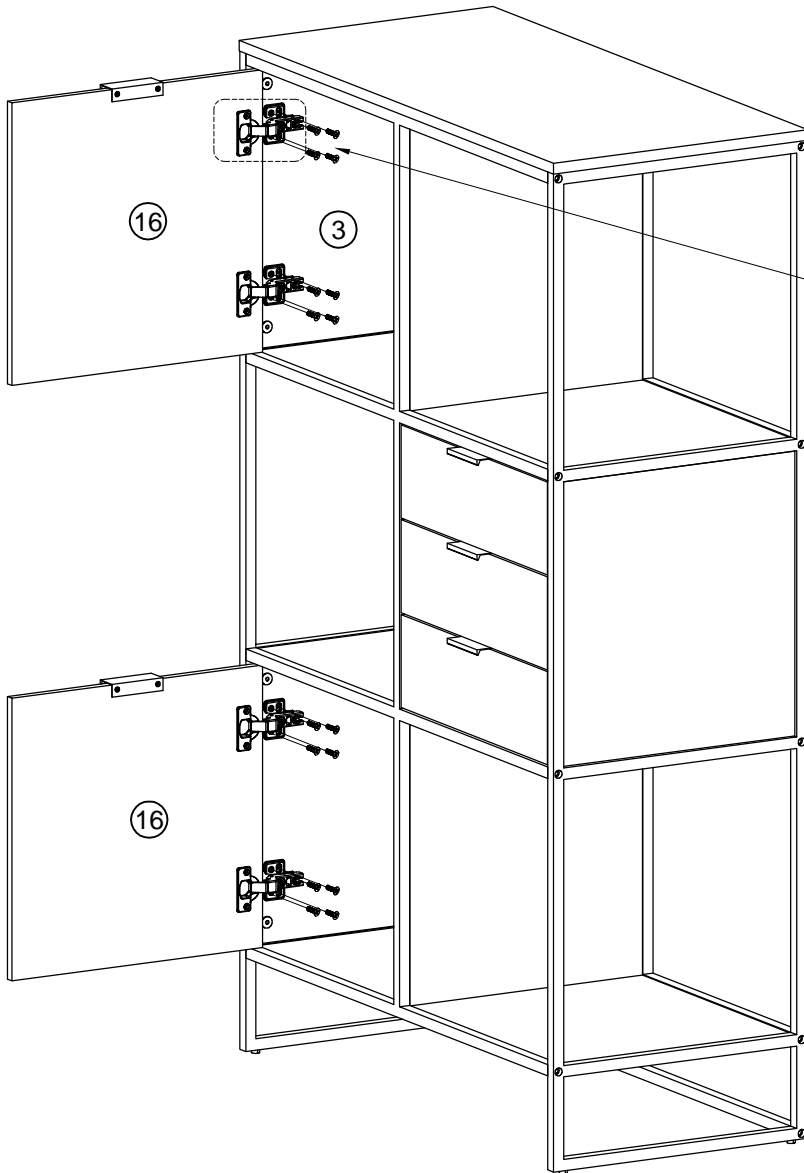
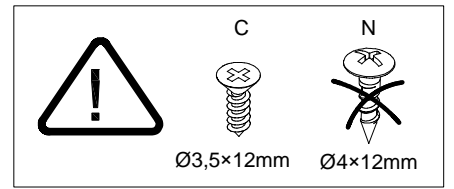
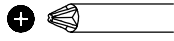
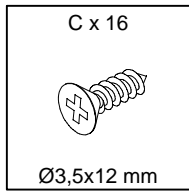
27



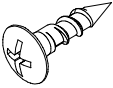


28

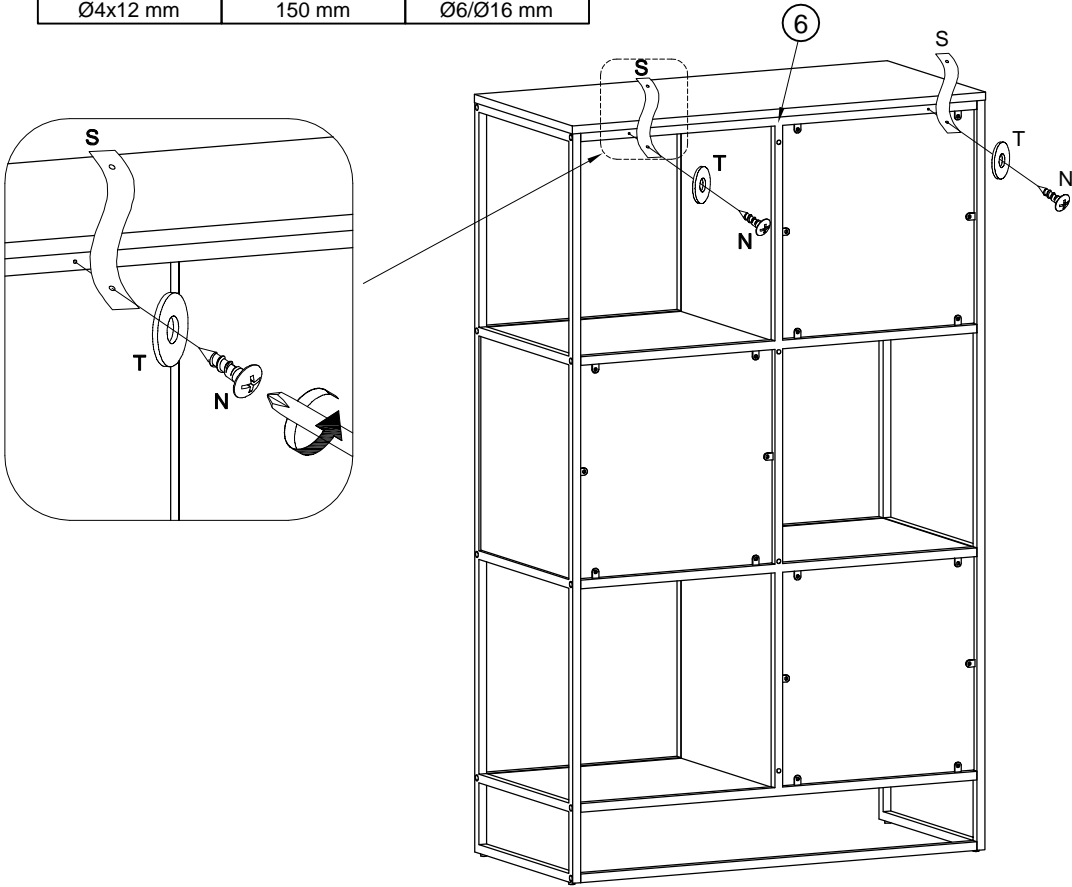
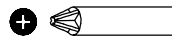


29

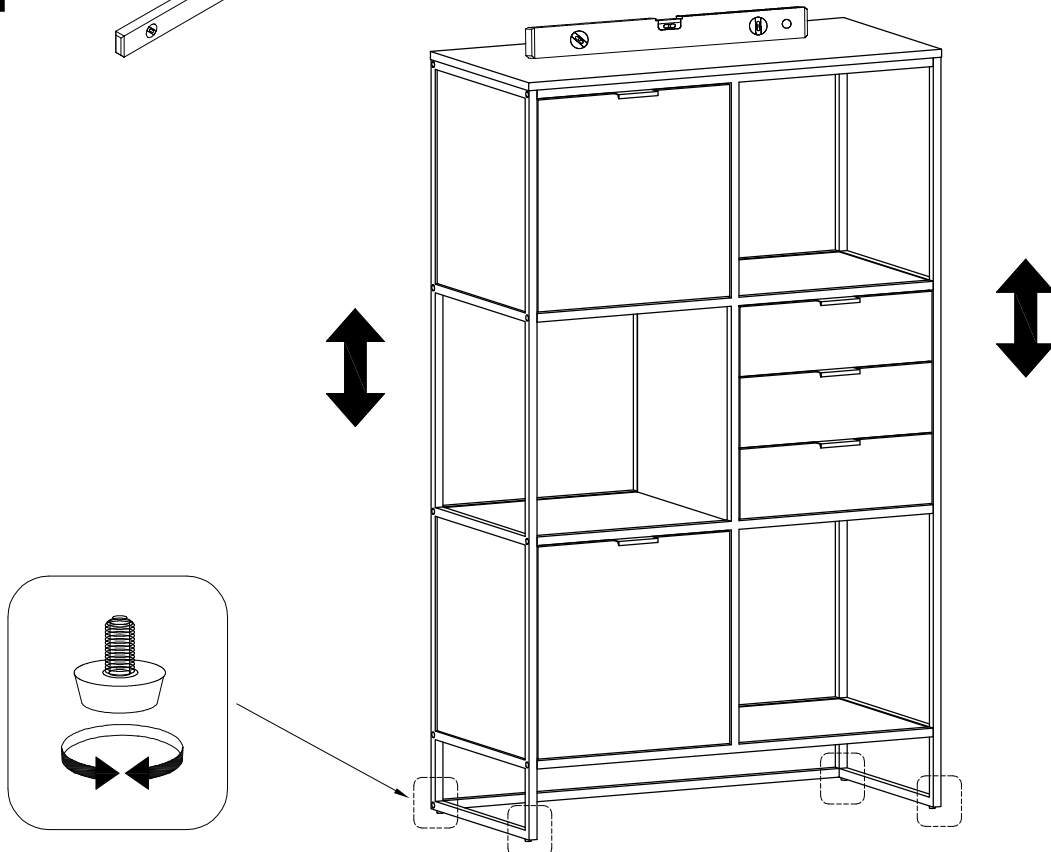
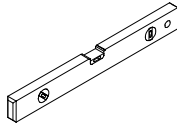


30

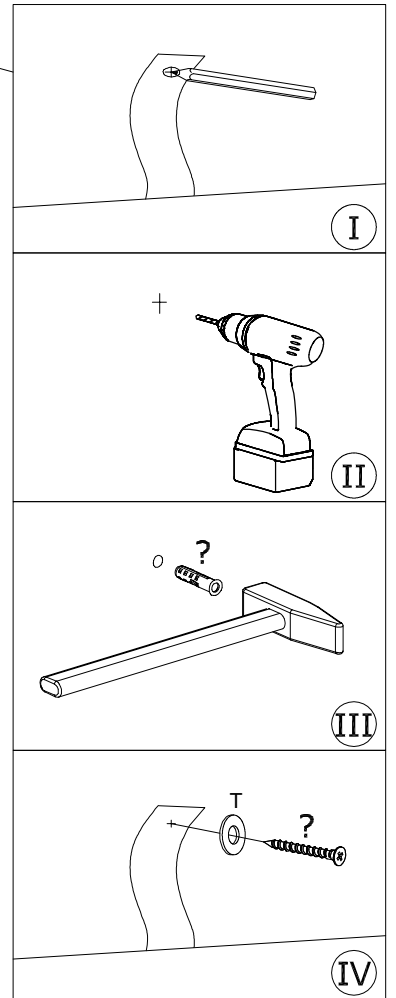
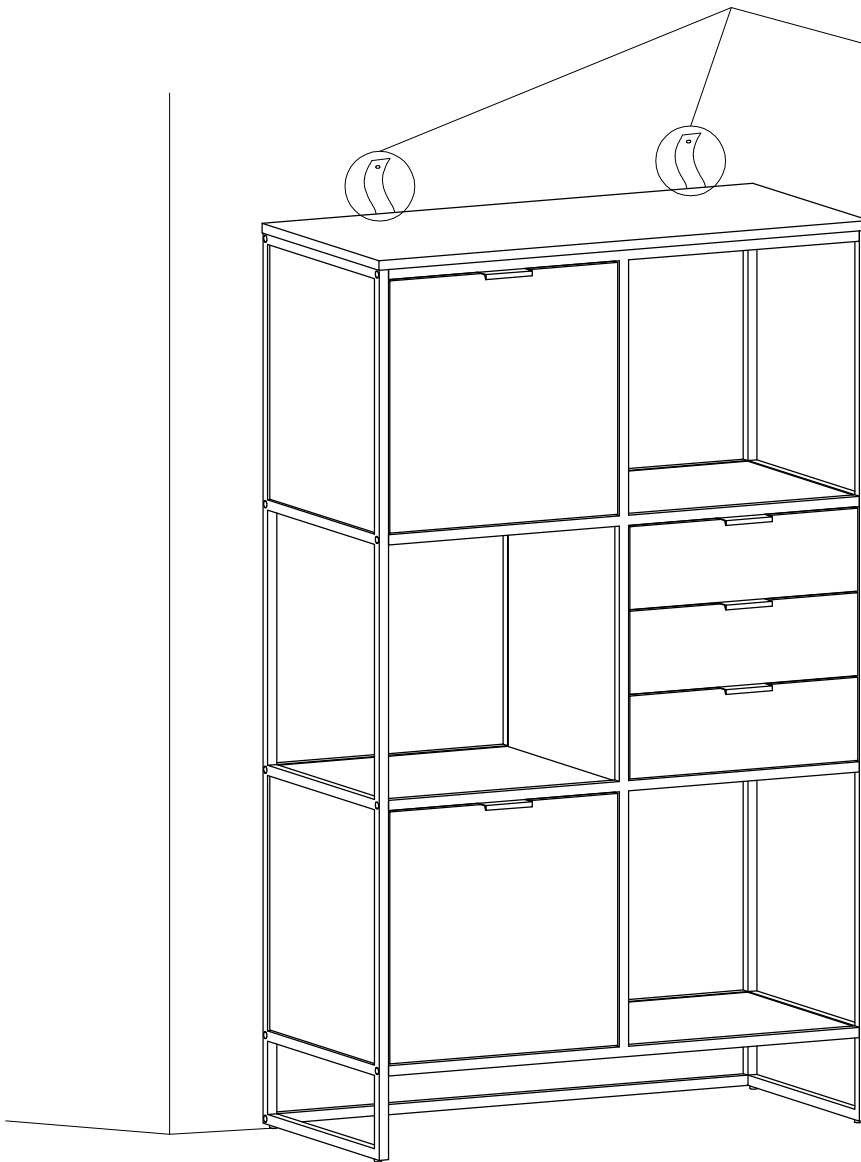
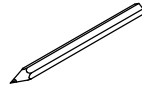
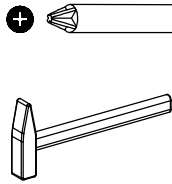
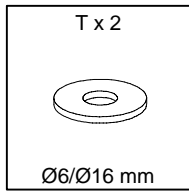
N x 2  Ø4x12 mm	S x 2  150 mm	T x 2  Ø6/Ø16 mm
--	--	---



31



32



33

