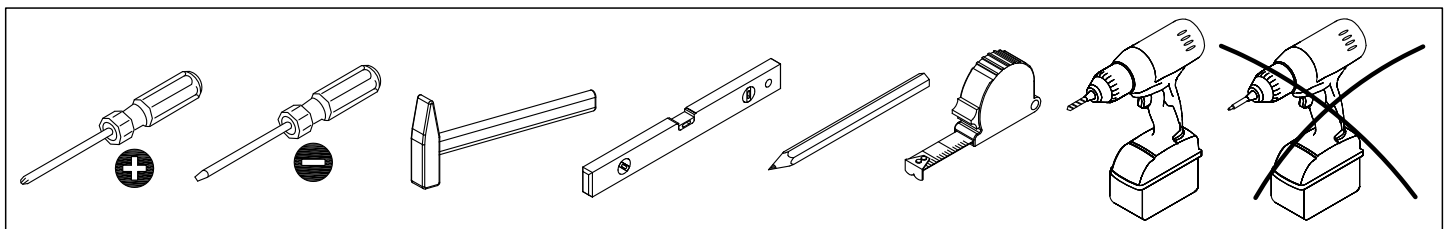
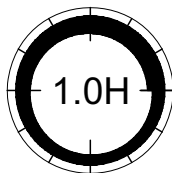
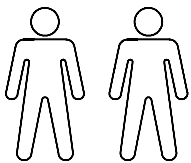
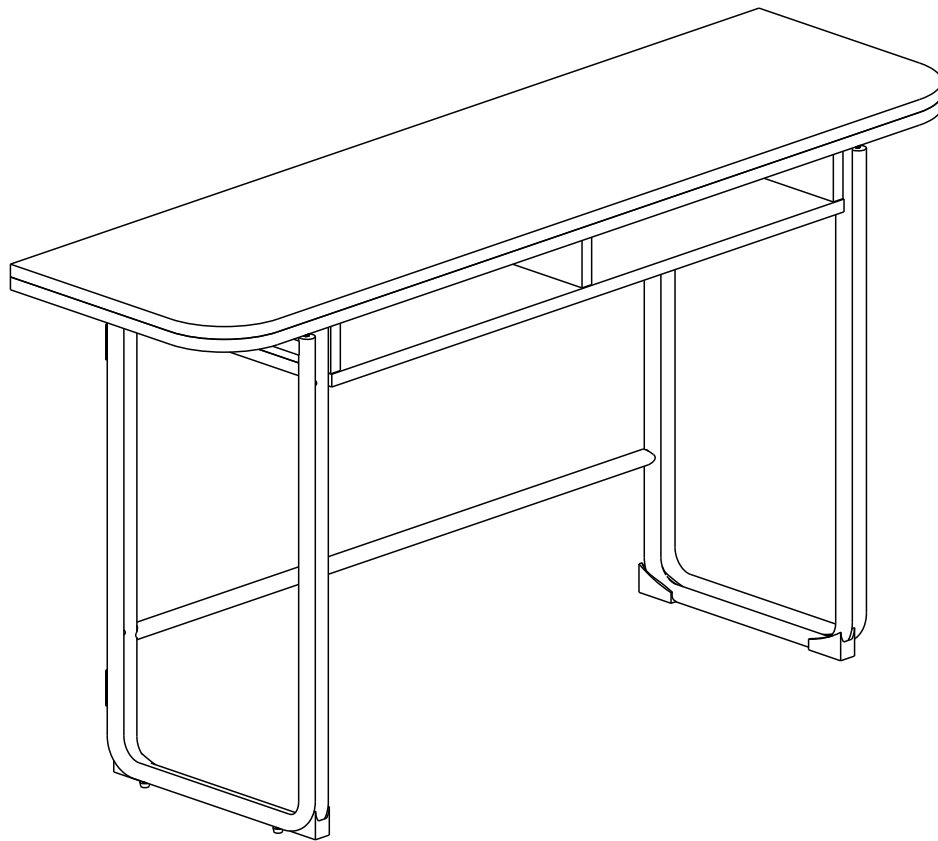
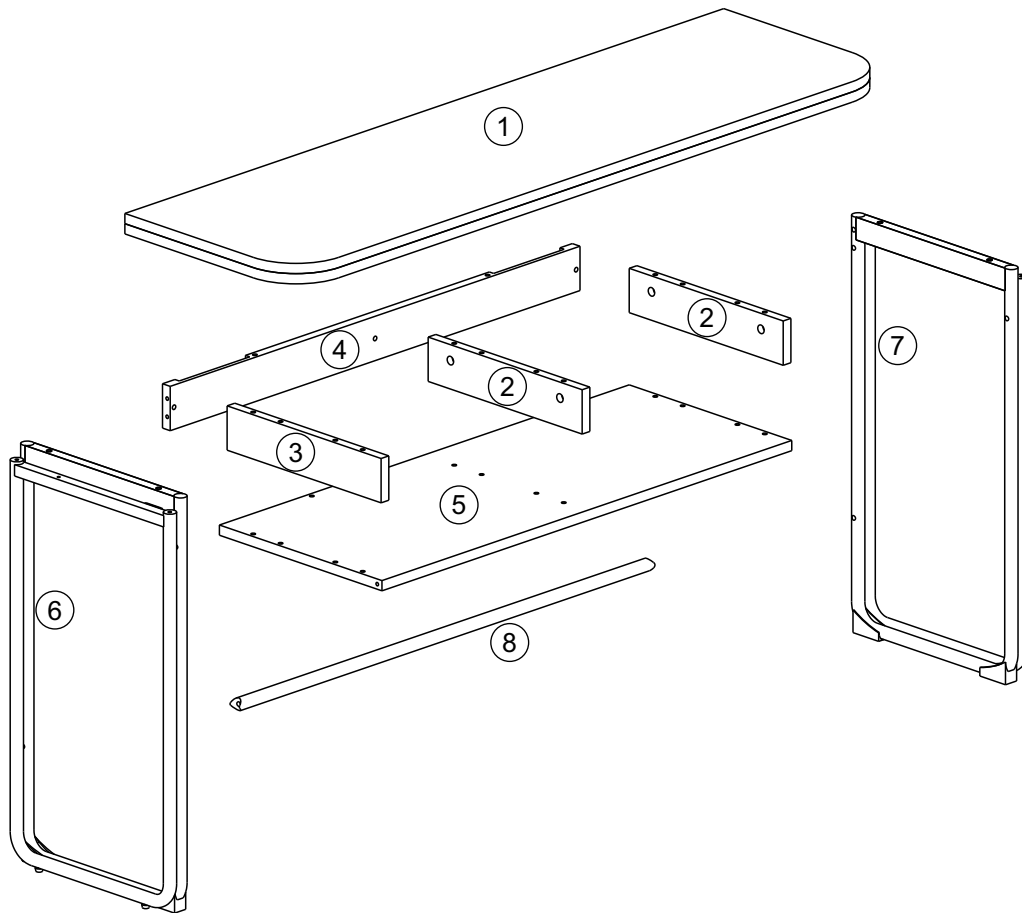
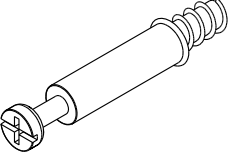
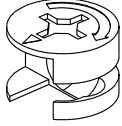
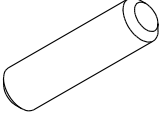
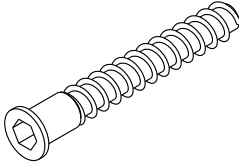
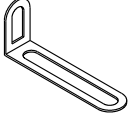
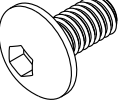
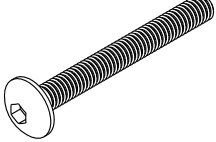
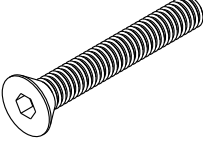
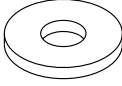
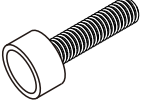
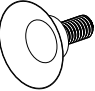
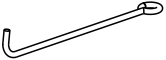
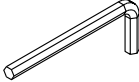


# DARLINGTON

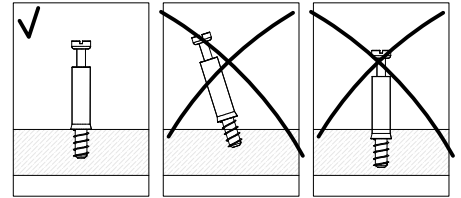
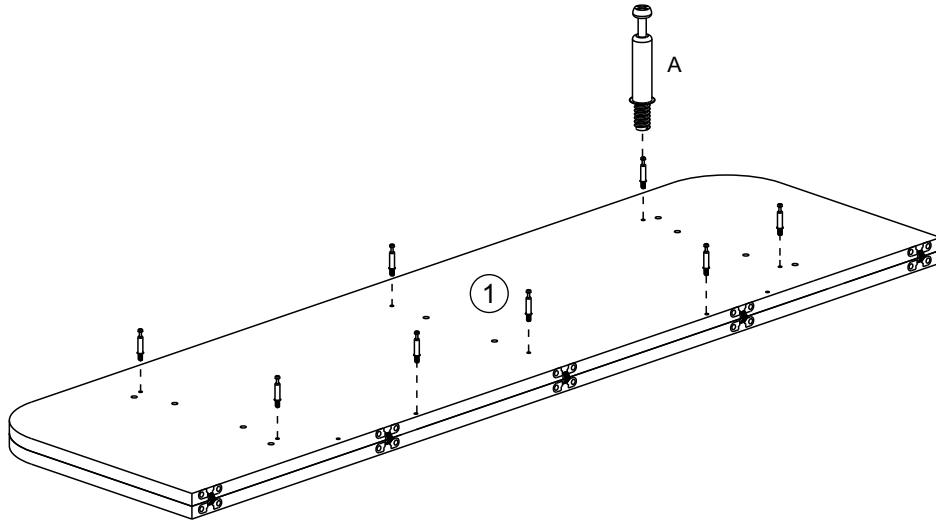
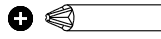
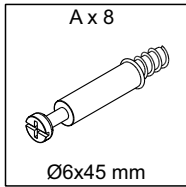


			✓
①	1	1400x400x36mm	
②	2	361x78x18mm	
③	1	361x78x18mm	
④	1	958x78x18mm	
⑤	1	958x380x18mm	
⑥	1	730x380x44mm	
⑦	1	730x380x44mm	
⑧	1	∅22x968mm	

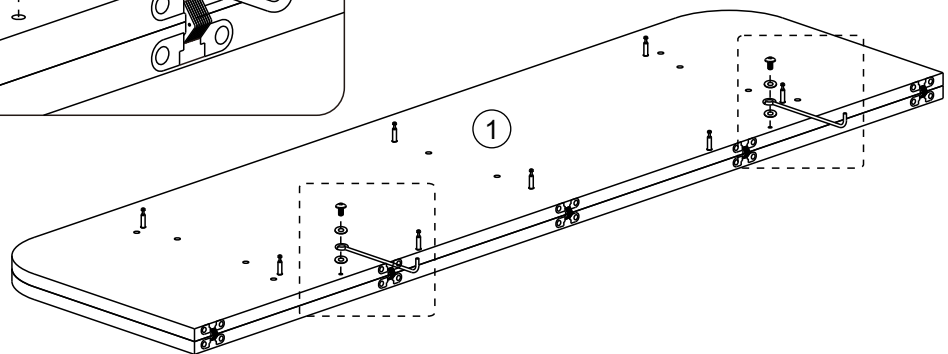
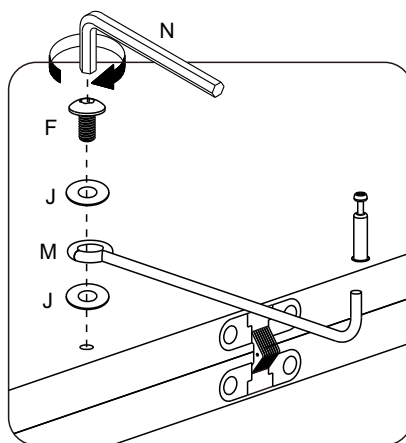
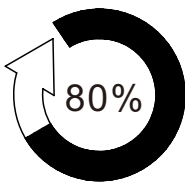
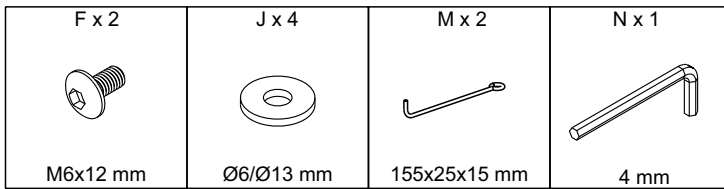


<p>A x 8</p>  <p>Ø6x45 mm</p>	<p>B x 8</p>  <p>Ø15x12 mm</p>	<p>C x 12</p>  <p>Ø8x30 mm</p>	<p>D x 17</p>  <p>Ø7x48 mm</p>	<p>E x 2</p>  <p>75x25x15 mm</p>
<p>F x 6</p>  <p>M6x12 mm</p>	<p>G x 4</p>  <p>M6x50 mm</p>	<p>H x 2</p>  <p>M6x40 mm</p>	<p>J x 4</p>  <p>Ø6/Ø13 mm</p>	<p>K x 2</p>  <p>Ø15x23.5 mm</p>
<p>L x 2</p>  <p>Ø33x13 mm</p>	<p>M x 2</p>  <p>155x25x15 mm</p>	<p>N x 1</p>  <p>4 mm</p>		

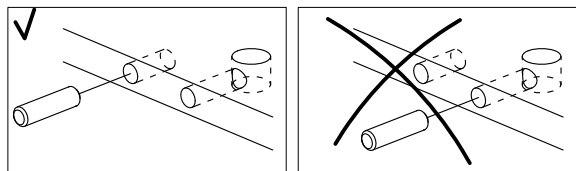
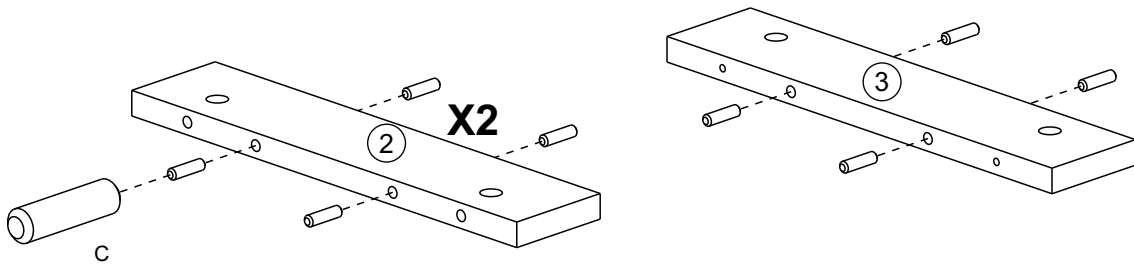
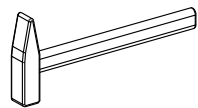
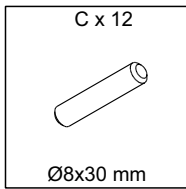
# 1



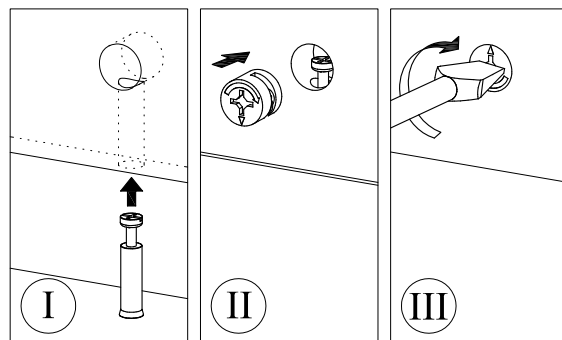
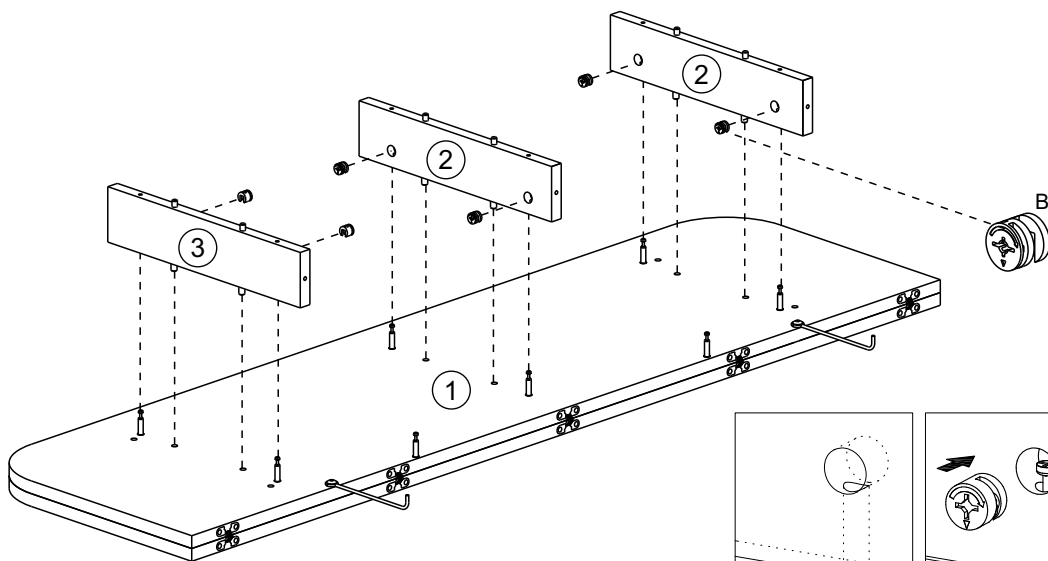
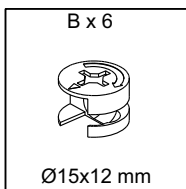
# 2



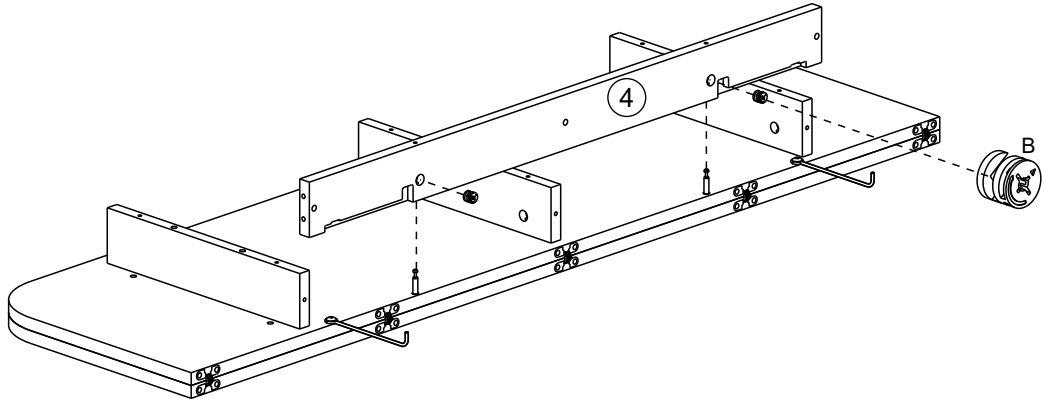
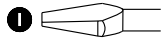
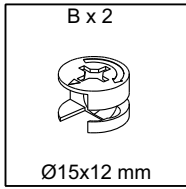
# 3



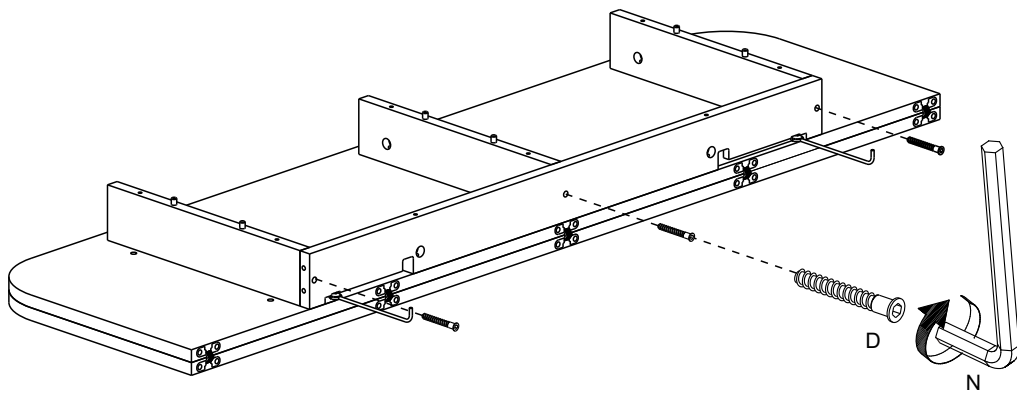
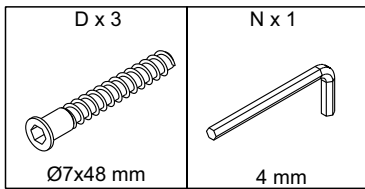
# 4



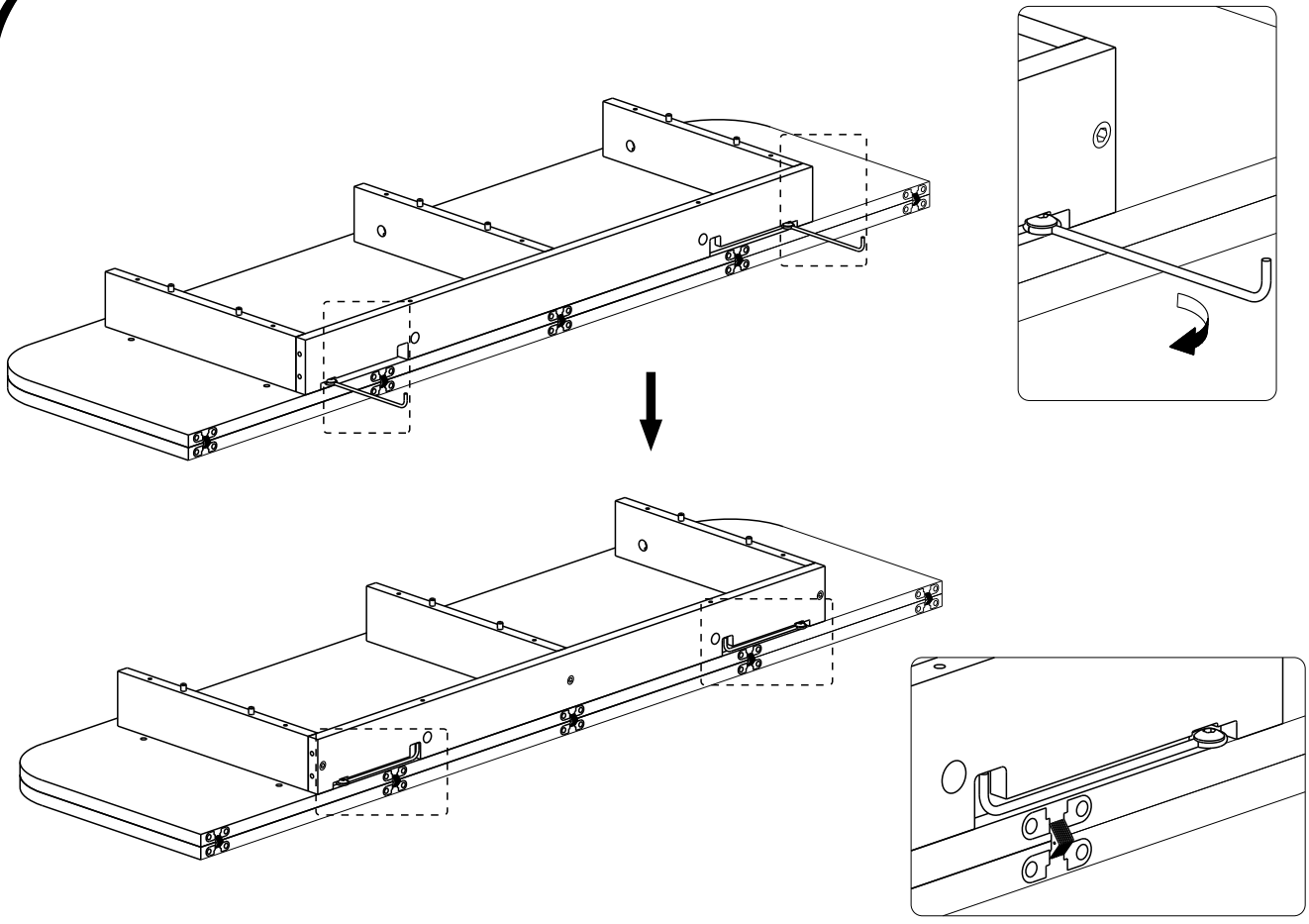
# 5





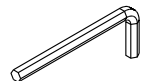
# 6

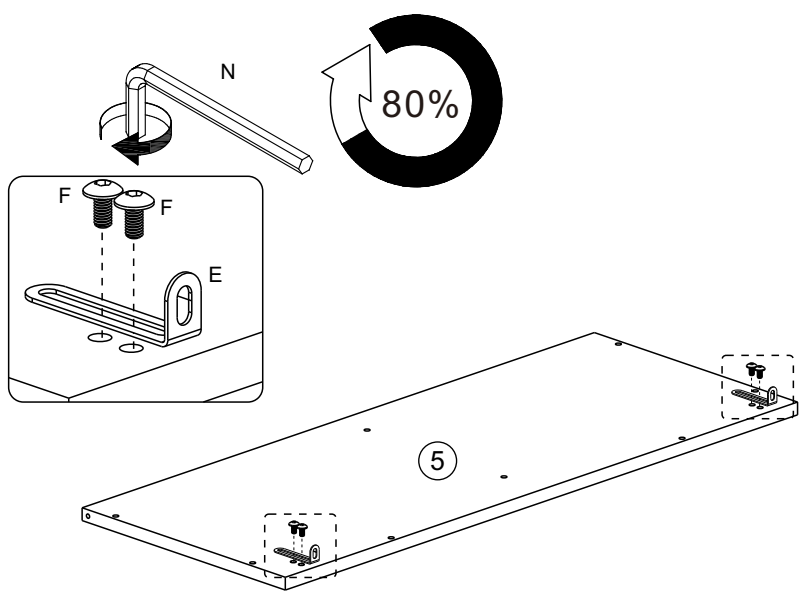


# 7

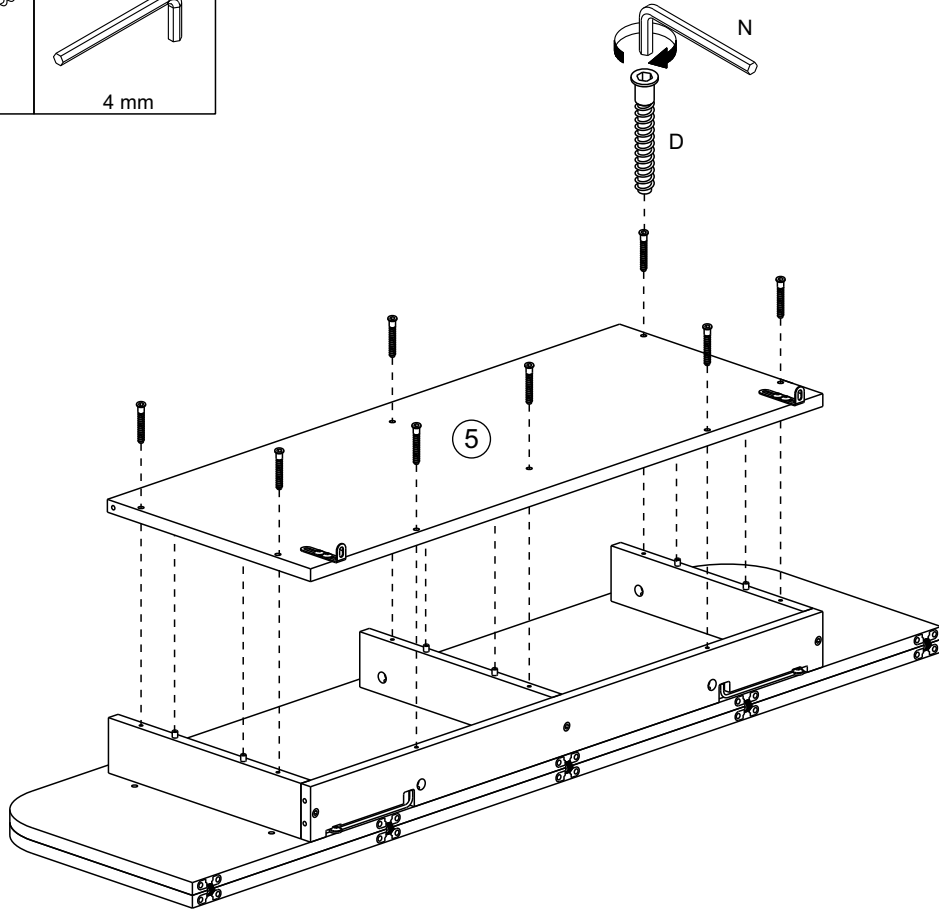
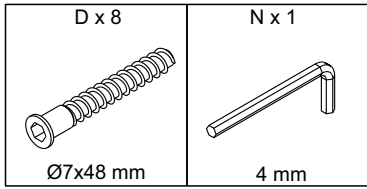


# 8

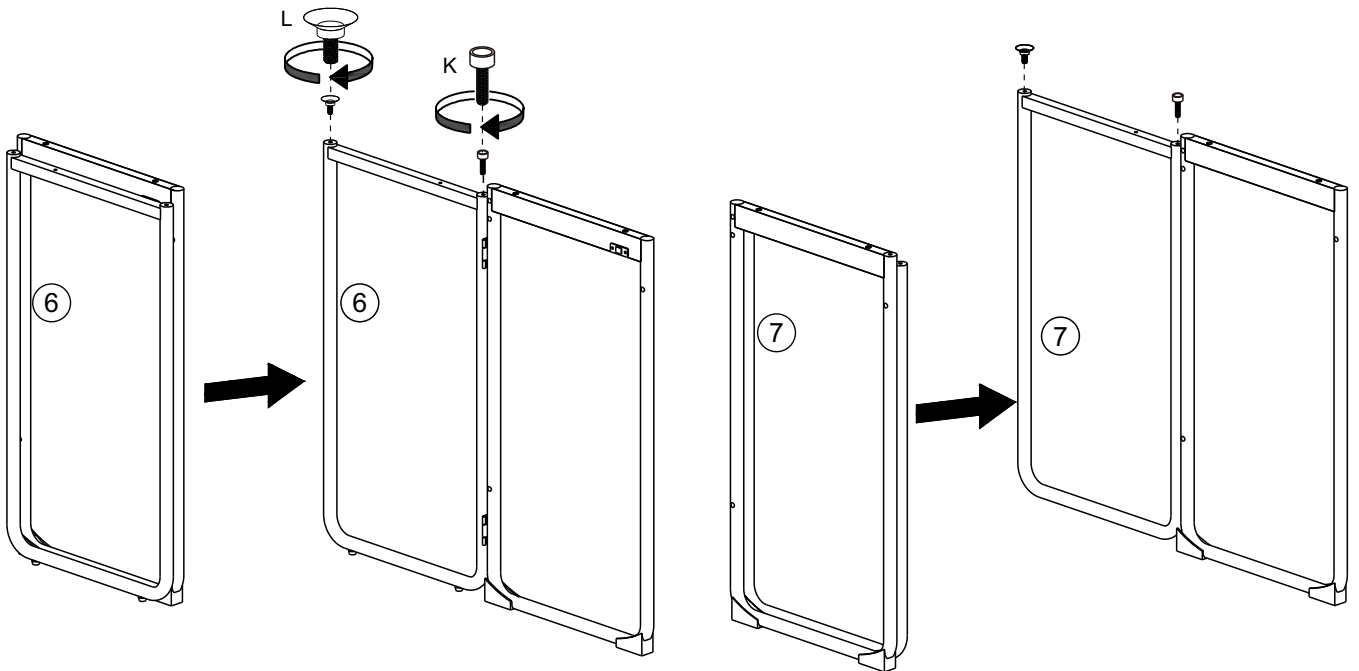
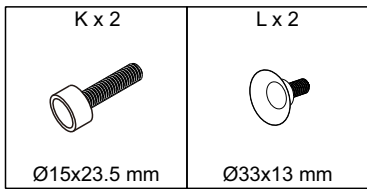
<p>E x 2</p>  <p>75x25x15 mm</p>	<p>F x 4</p>  <p>M6x12 mm</p>	<p>N x 1</p>  <p>4 mm</p>
---	--	--



# 9

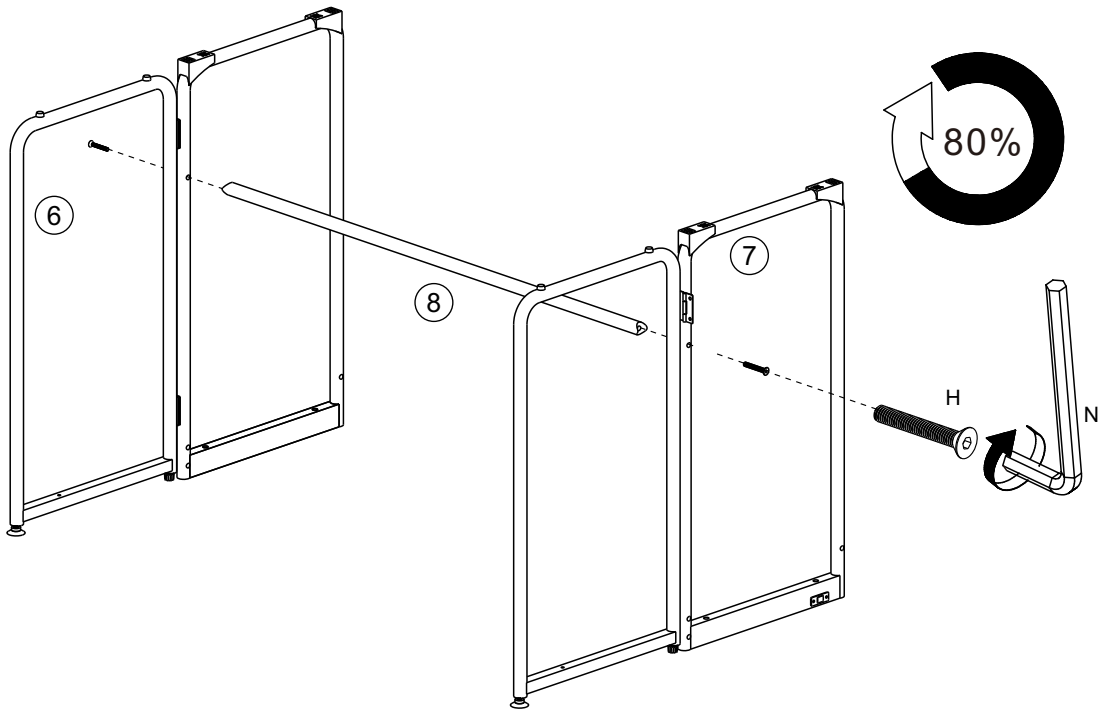
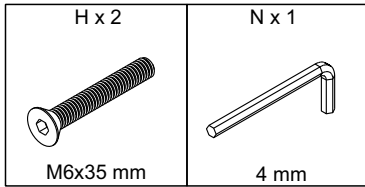


# 10

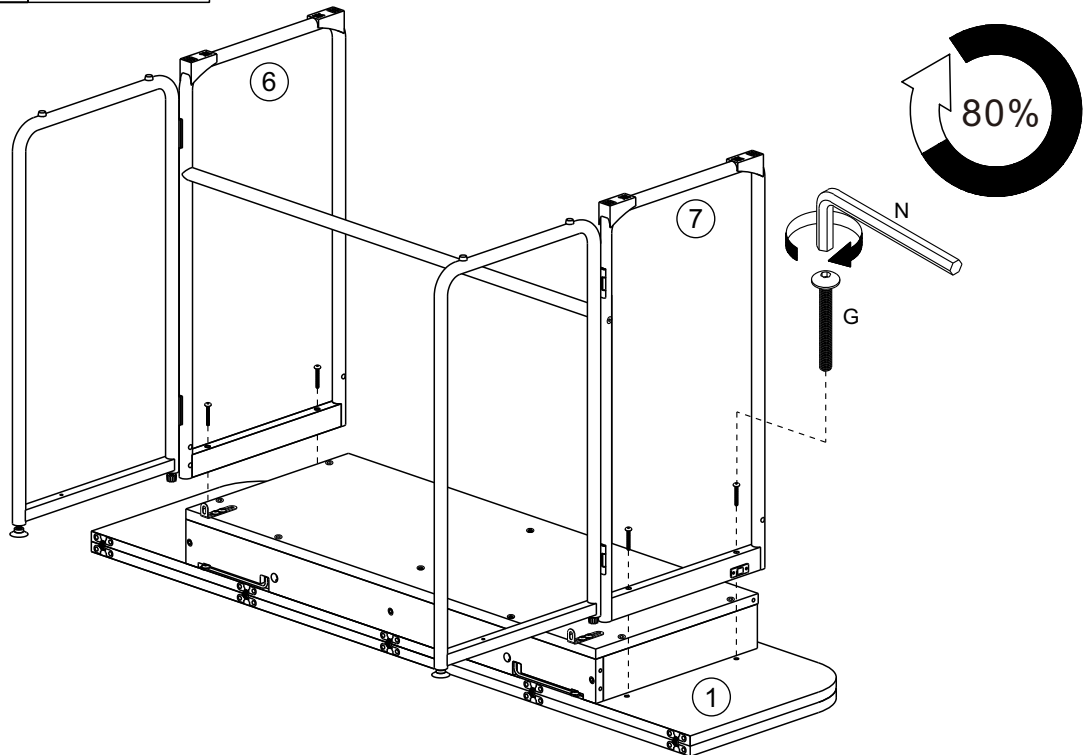
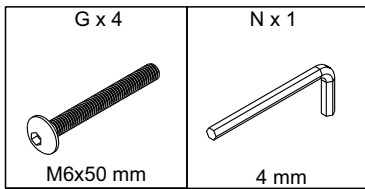




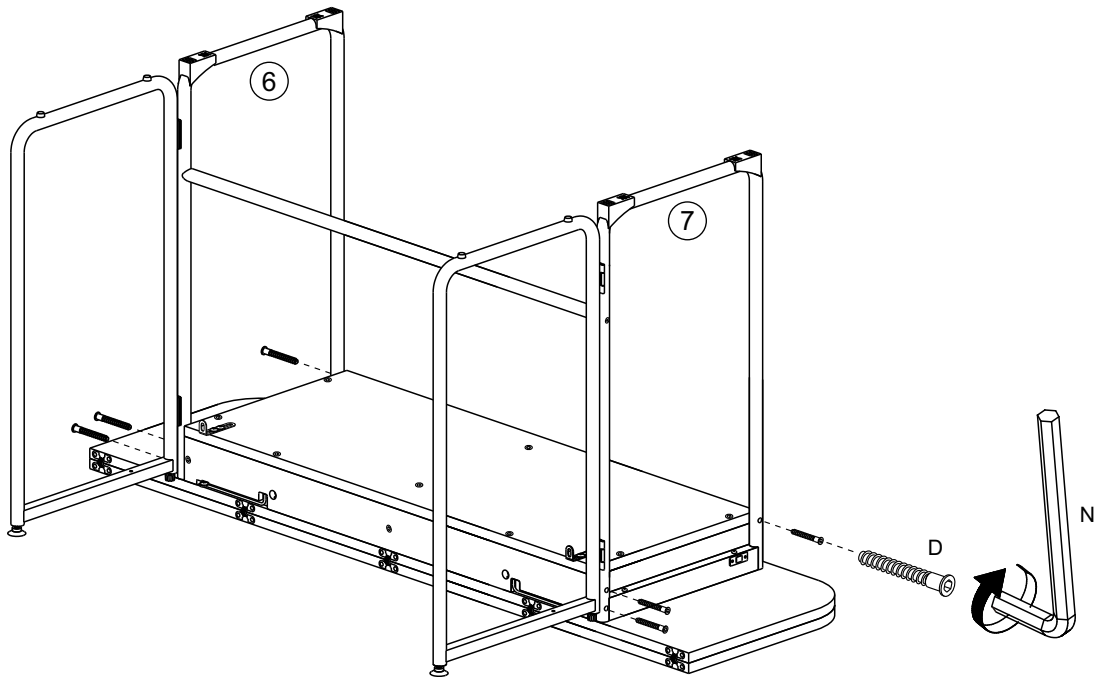
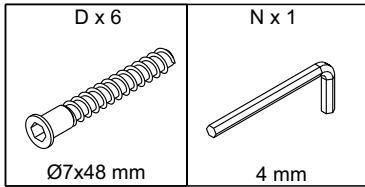
# 11



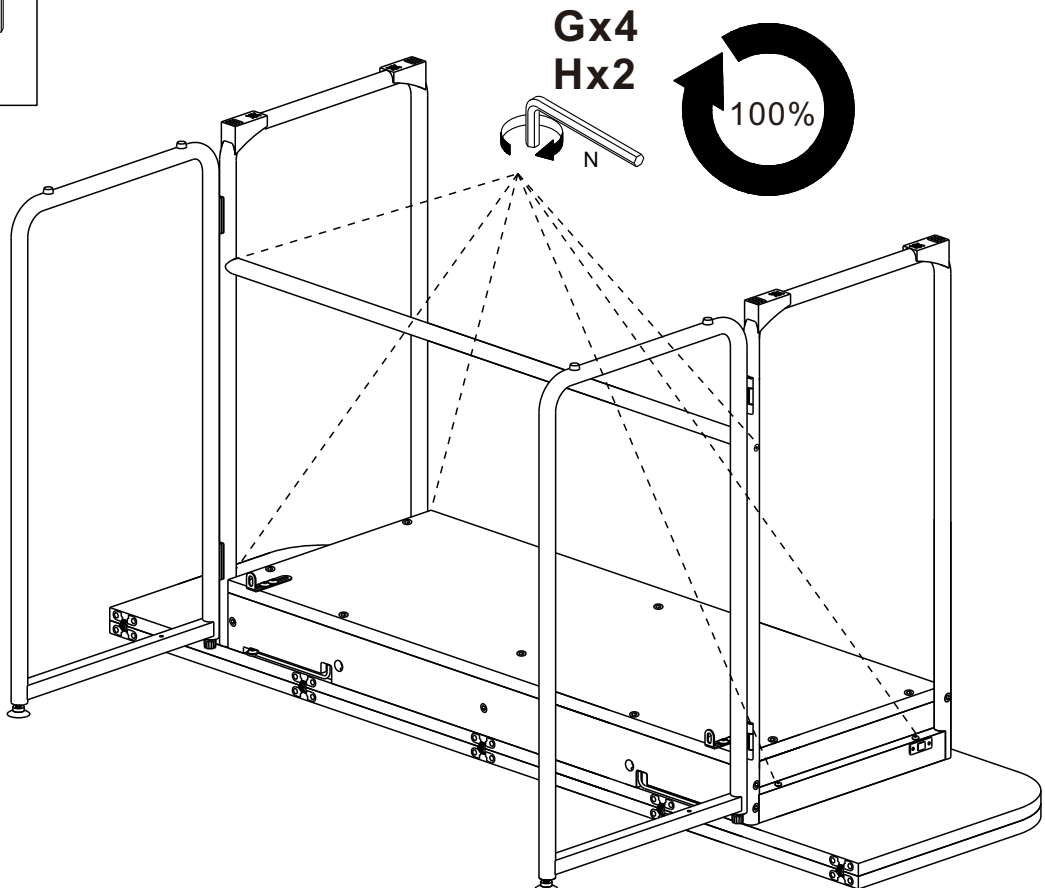
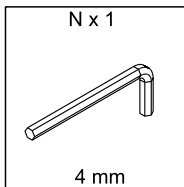
# 12



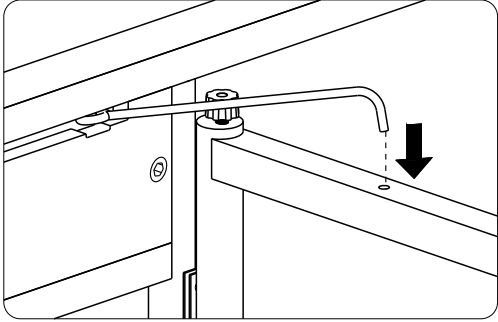
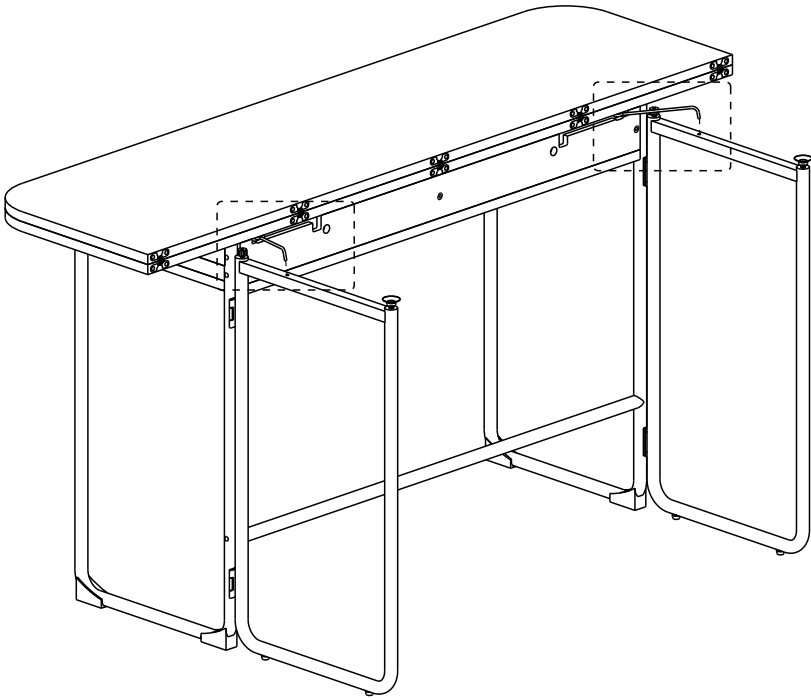
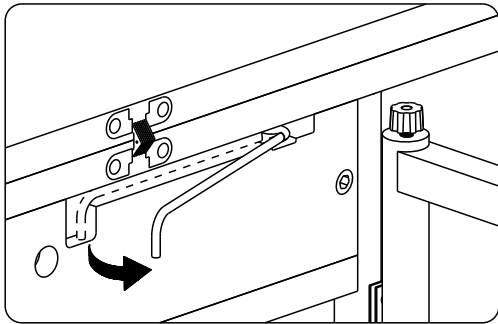
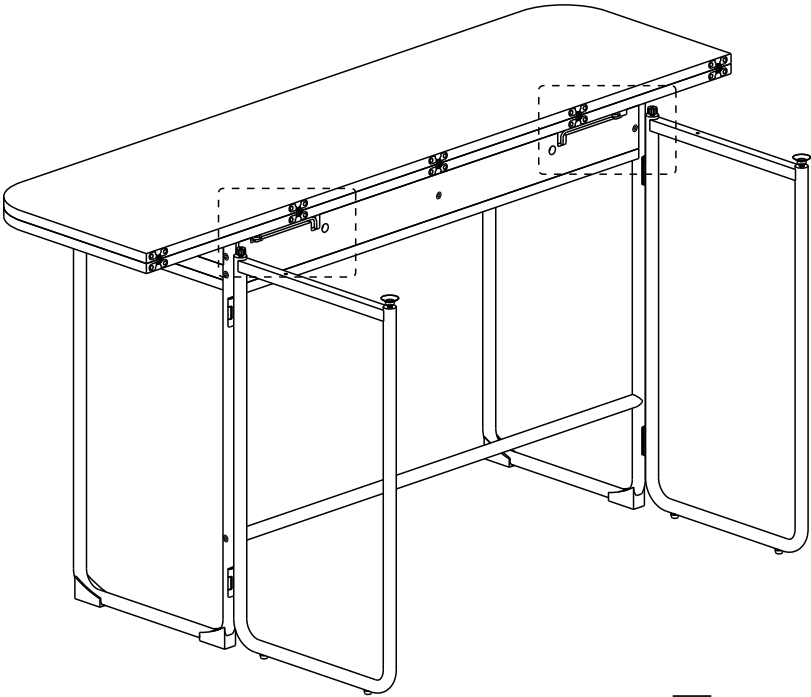
# 13



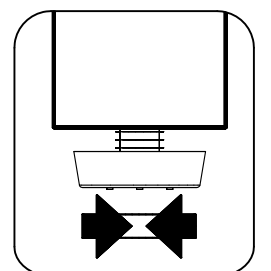
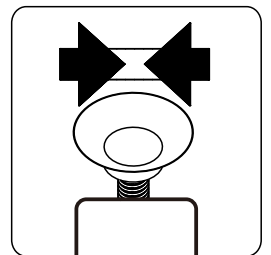
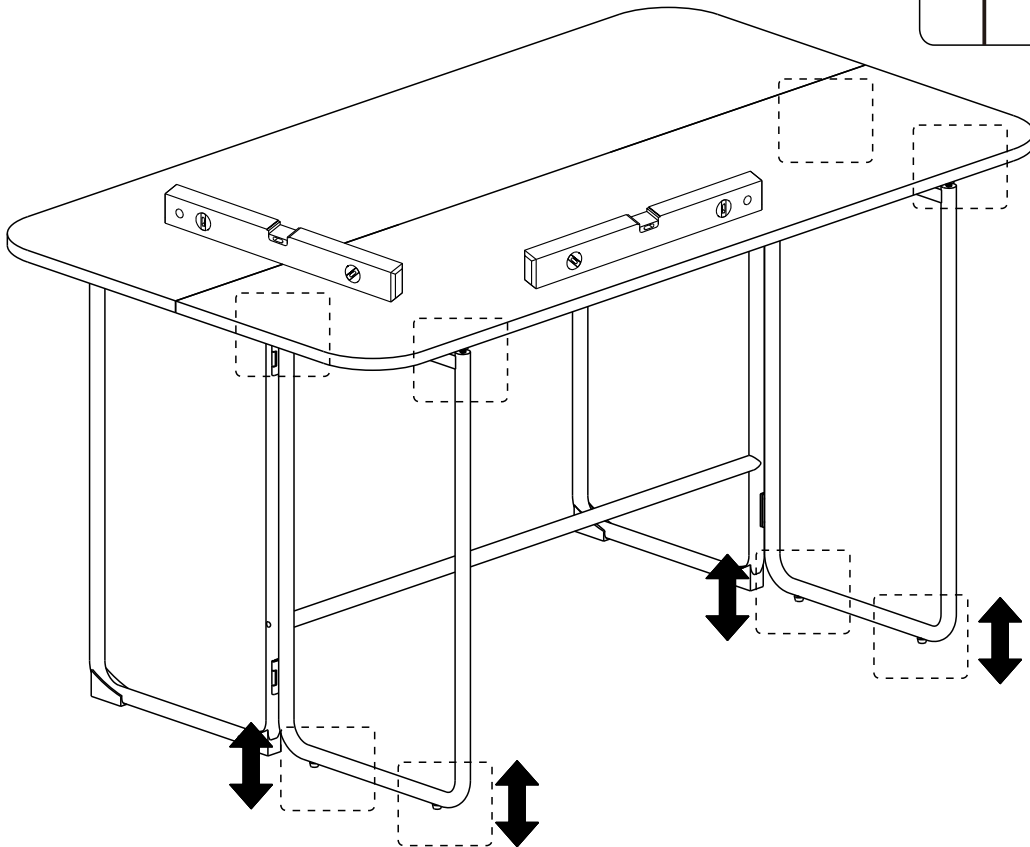
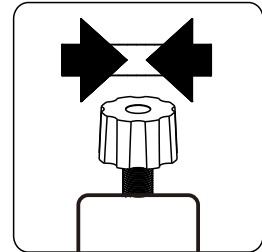
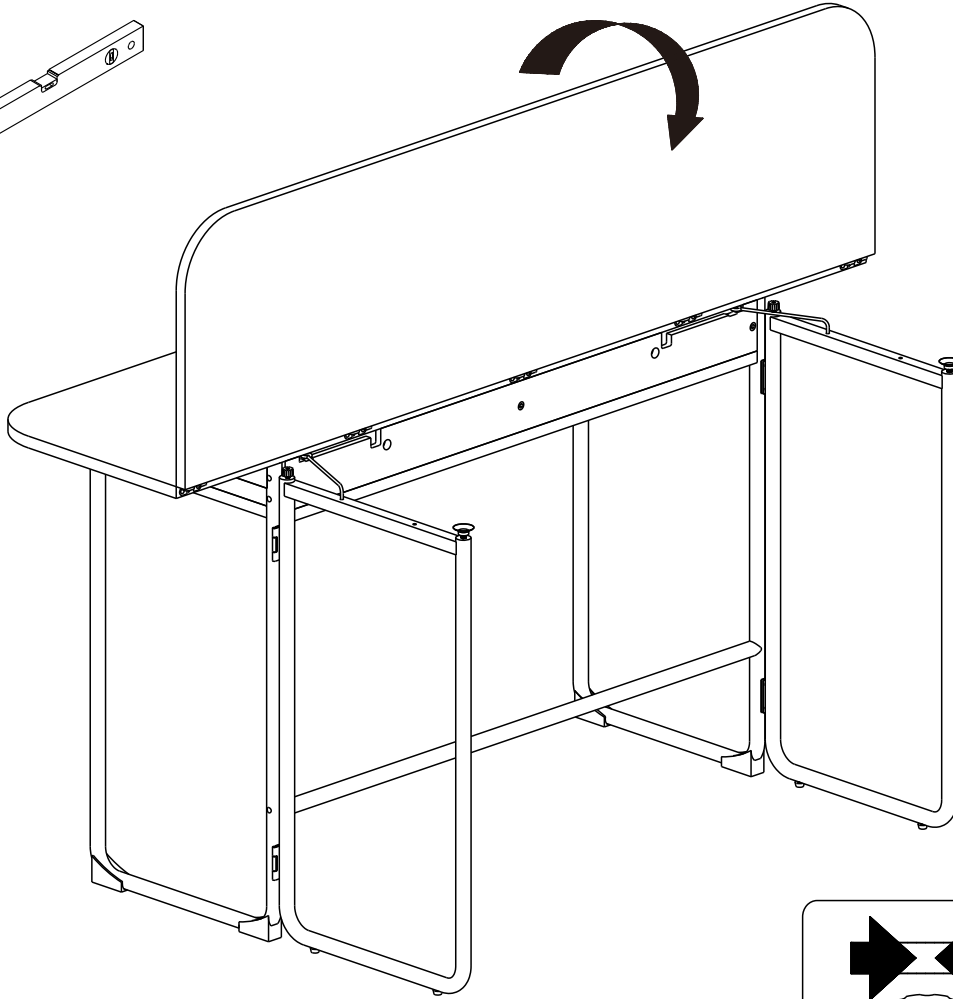
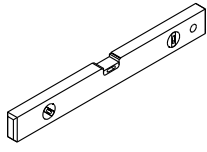
# 14



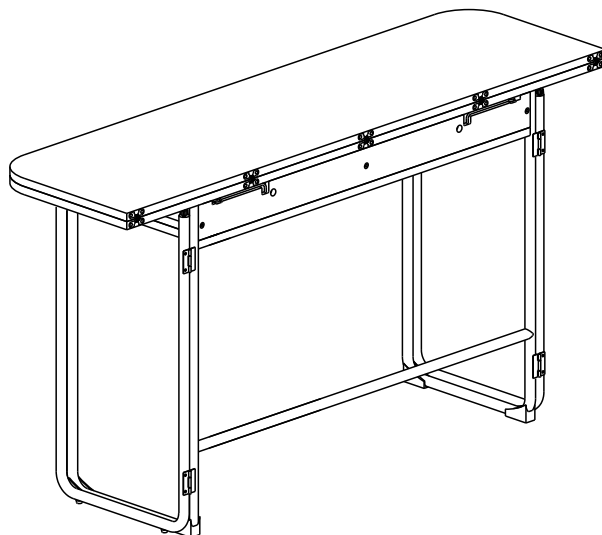
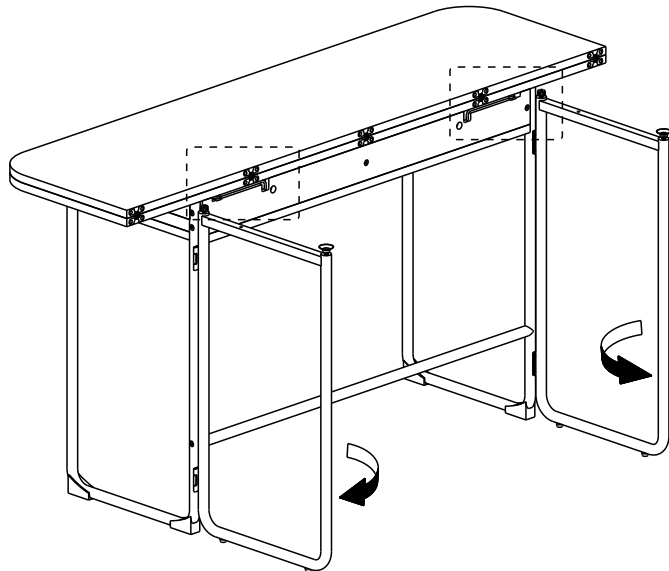
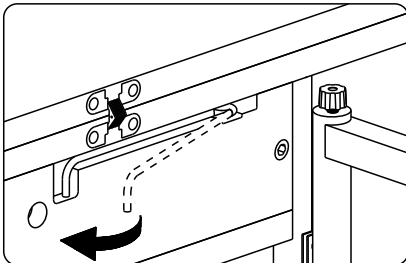
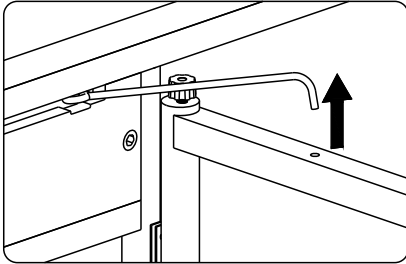
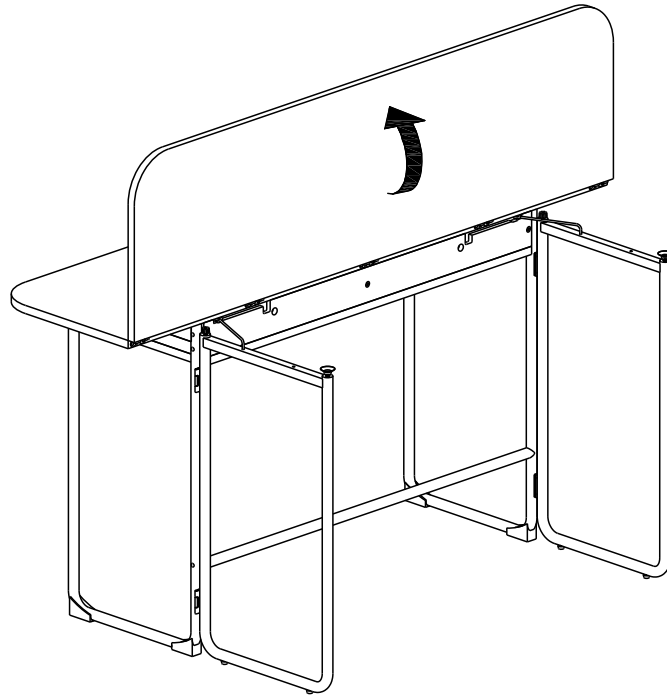
# 15



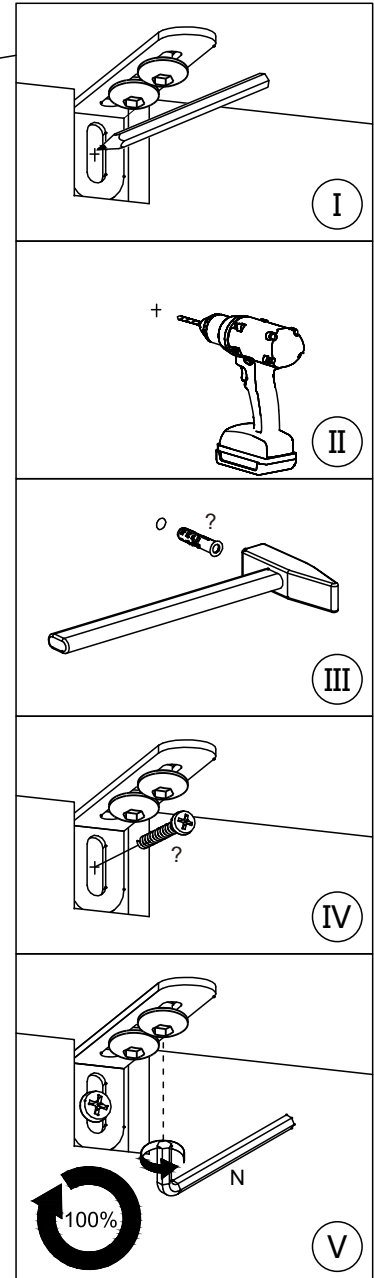
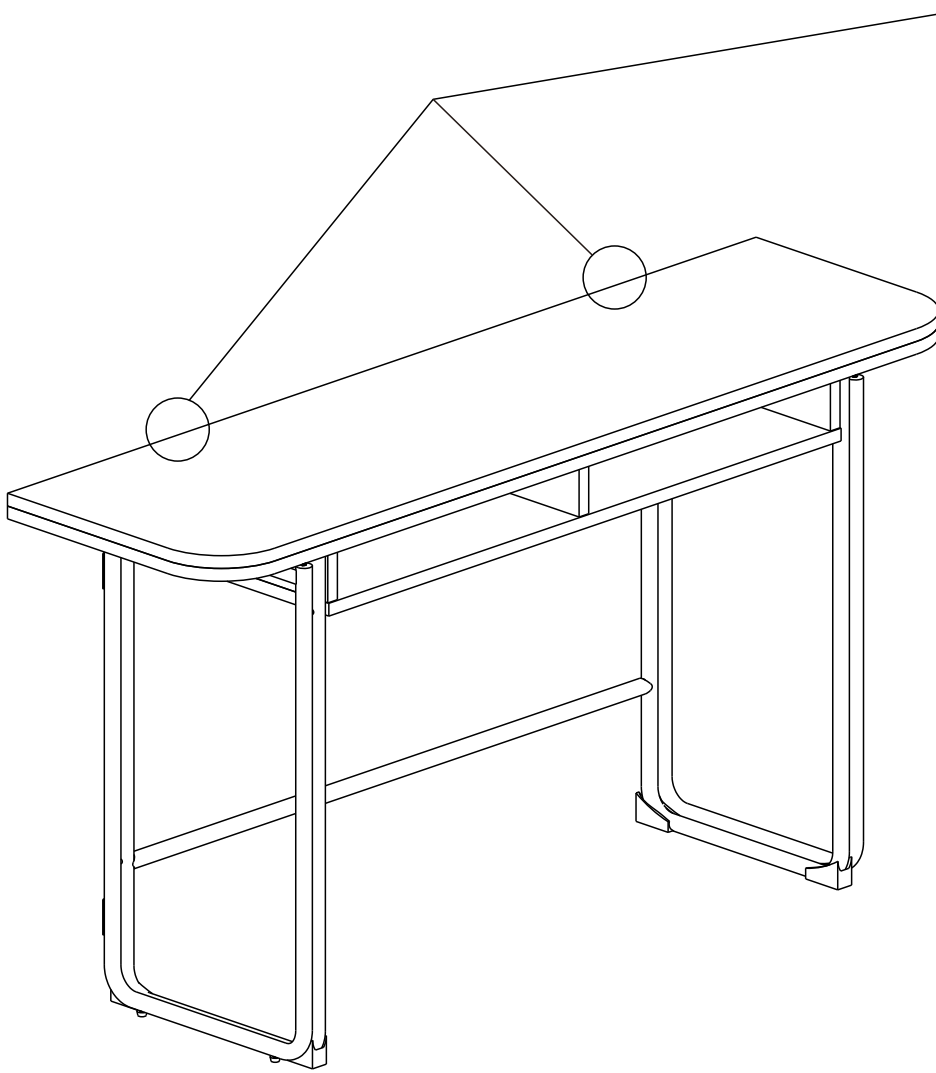
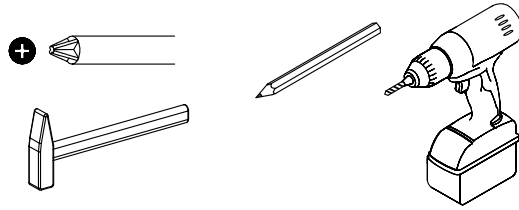
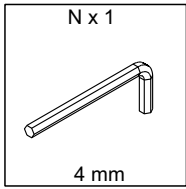
16



17



# 18



19

