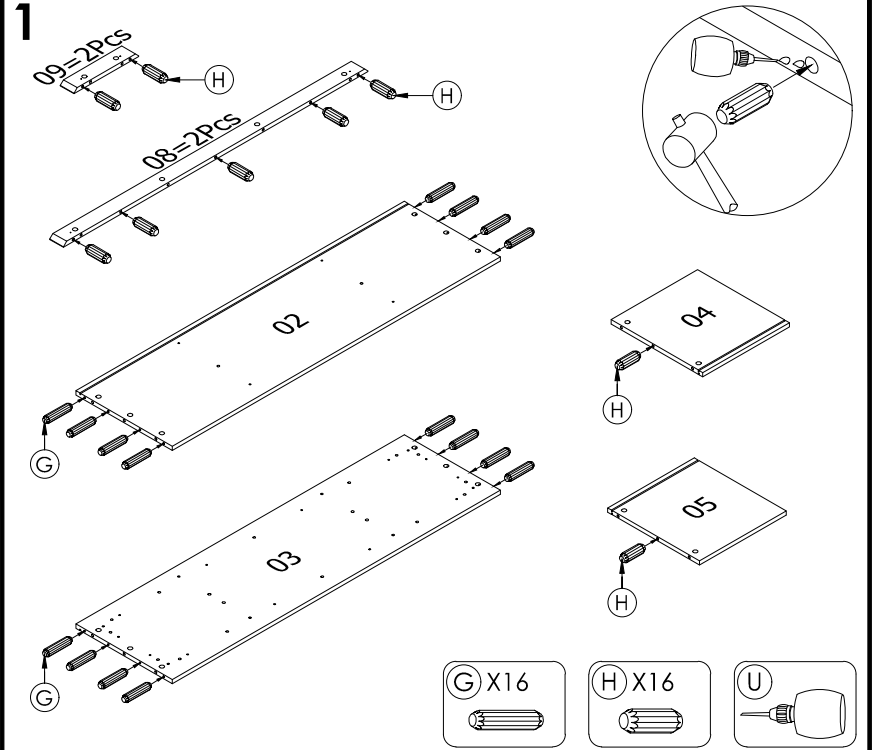
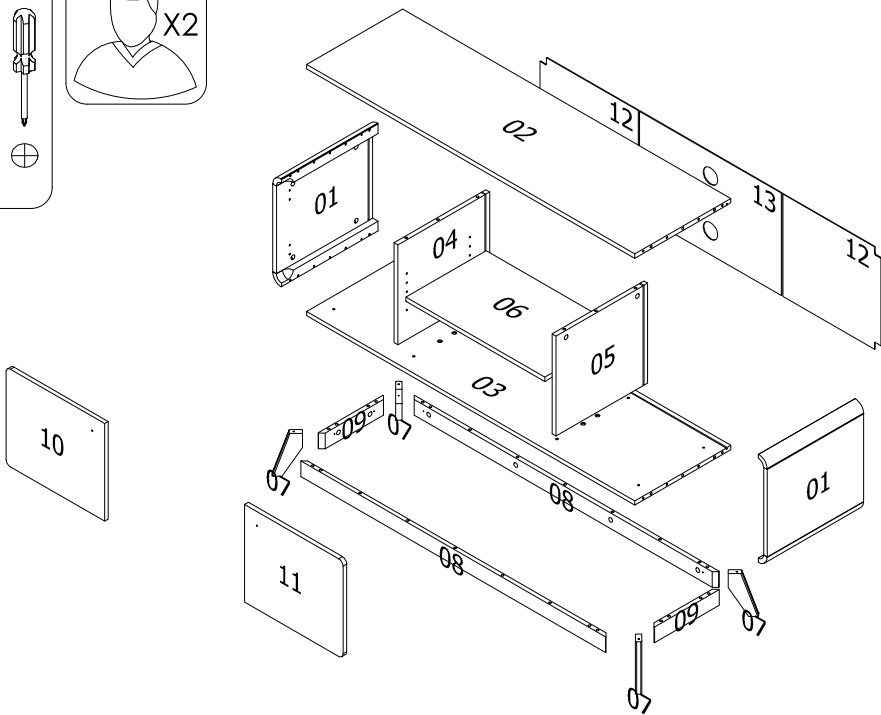
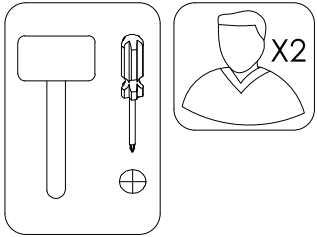


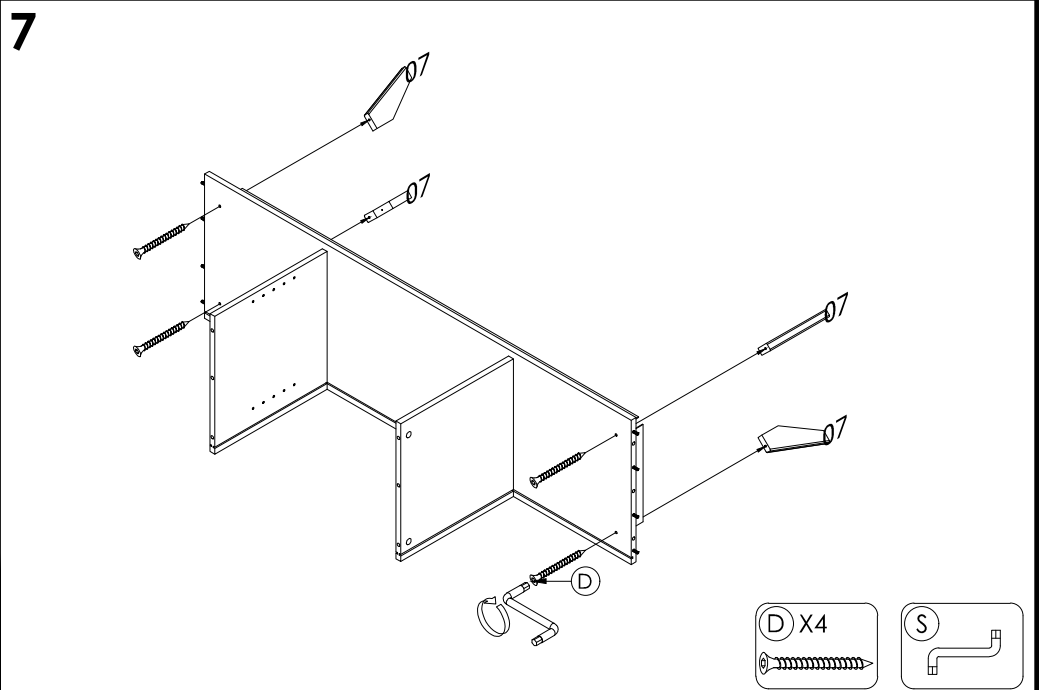
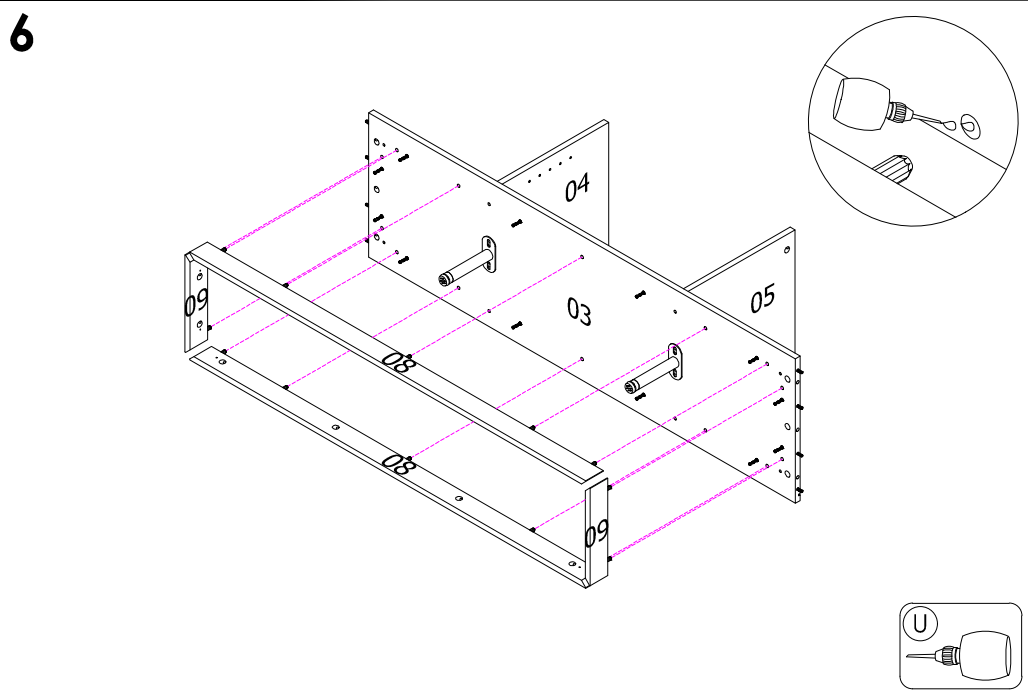
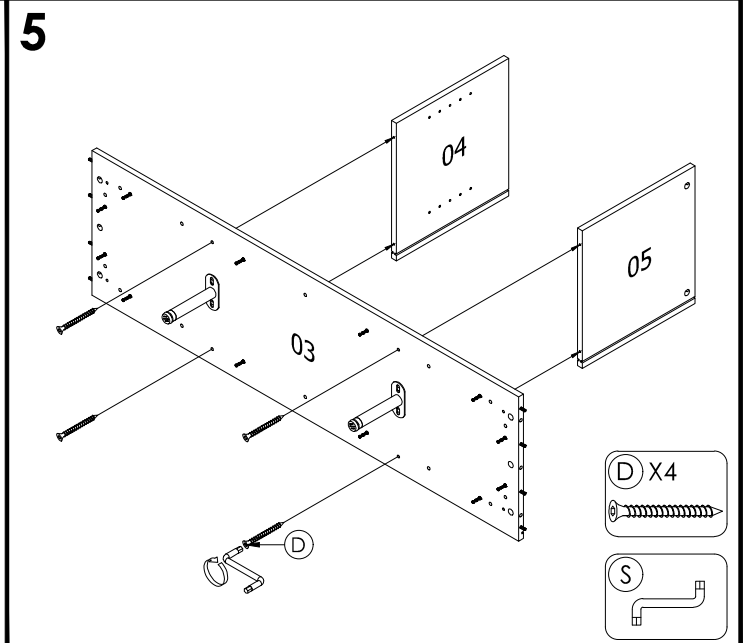
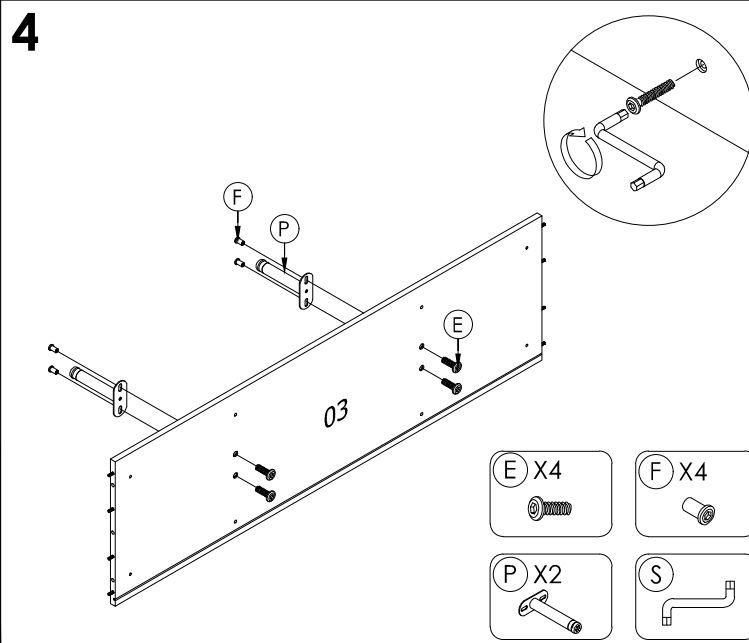
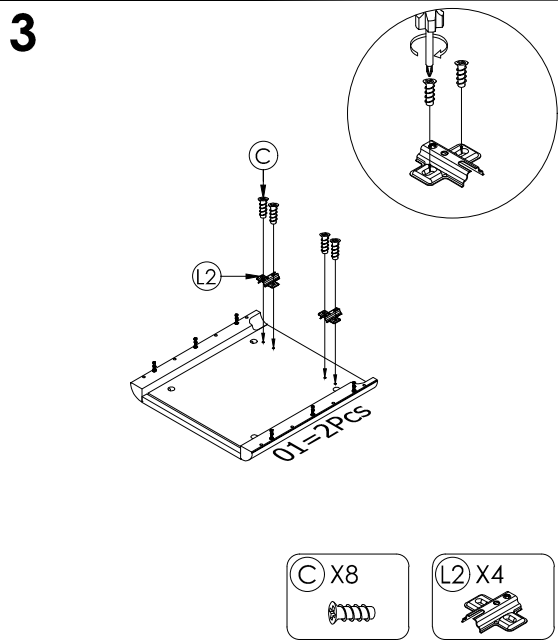
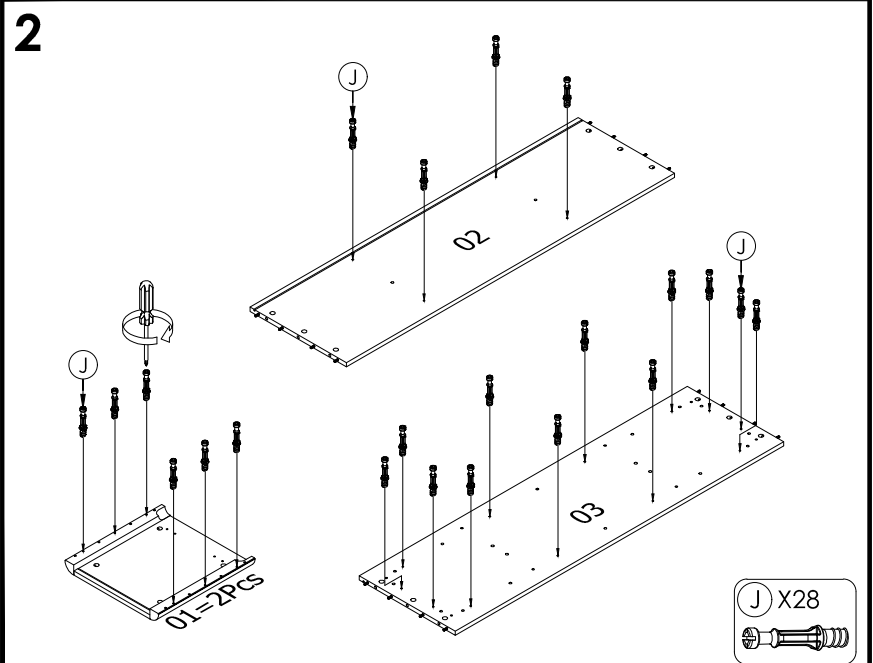
ASSEMBLING GUIDE MODEL 7306-9-01

**WARNING! NOT SUITABLE FOR CHILDREN
UNDER 3 YEARS. CONTAINS SMALL PARTS.**

CAUTION
MATERIAL USED - LAMINATED MEDIUM DENSITY FIBERBOARD AND PARTICLEBOARD FRAME * TO CLEAN
USING SOFT, DRY, CLOTH * DO NOT USE DETERGENT OR CHEMICALS * AVOID CONTACT WITH WATER AND
DIRECT SUNLIGHT * TO BE ASSEMBLED ON A SOFT, DRY, CLEAN AND SMOOTH SURFACE * DO NOT USE
POWER DRILLS TO ASSEMBLE AS THIS MAY CAUSE DAMAGE TO THE PRODUCT IF OVER-TIGHTENED



A		CSK SCREW M3.5 X 15MM	32	L1		METAL HINGES (7/8") W/ SPRING	4
B		CSK SCREW M4 X 25MM	4	L2		HINGES PLATE	4
C		EURO SCREW M6 X 13MM	8	M		PLASTIC LEVELLER(10MM)	4
D		JCBC(W) SCREW M6 X 40MM	8	N		9933 WOODEN HDL KNOB (D20, H22) NATURAL= (1PC) WITH SCREW (MC4 X 22MM)= (1PC)	2 SETS
E		JCBC SCREW M6 X 12MM	4	P		T SHAPE METAL LEG WITH ADJUSTABLE (Ø25 X 145MM)	2 SETS
F		JCN NUT Ø6 X L13MM	4	Q		TABLE CORNER BRACKET (5HOLES) (1.5 X 30 X 30 X 50 X 45MM)	4
G		WOOD DOWEL (Ø6 X 35MM)	16	R		METAL ADJUSTABLE SHELF STUD	4
H		WOOD DOWEL (Ø8 X 25MM)	16	S		ALLEN KEY M4	1
J		BOLT-9607 PARALEL NECK DOWEL 24 X 8.5	28	T		BACKPLY STOPPER	16
K		CAM-9499 CAM 3000 15 X 12	28	U		GLUE	3

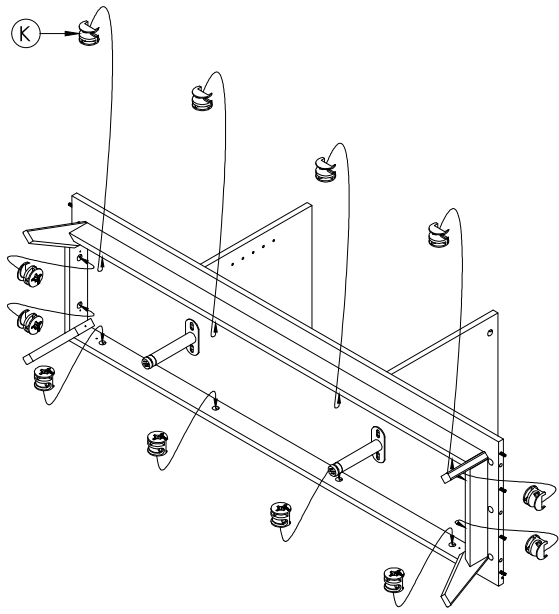


ASSEMBLING GUIDE MODEL 7306-9-01

**WARNING! NOT SUITABLE FOR CHILDREN
UNDER 3 YEARS. CONTAINS SMALL PARTS.**

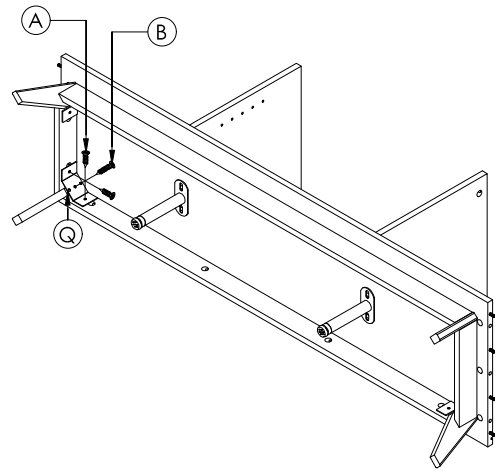
CAUTION
MATERIAL USED - LAMINATED MEDIUM DENSITY FIBERBOARD AND PARTICLEBOARD FRAME * TO CLEAN
USING SOFT, DRY, CLOTH * DO NOT USE DETERGENT OR CHEMICALS * AVOID CONTACT WITH WATER AND
DIRECT SUNLIGHT * TO BE ASSEMBLED ON A SOFT, DRY, CLEAN AND SMOOTH SURFACE * DO NOT USE
POWER DRILLS TO ASSEMBLE AS THIS MAY CAUSE DAMAGE TO THE PRODUCT IF OVER-TIGHTENED

8



(K) X12

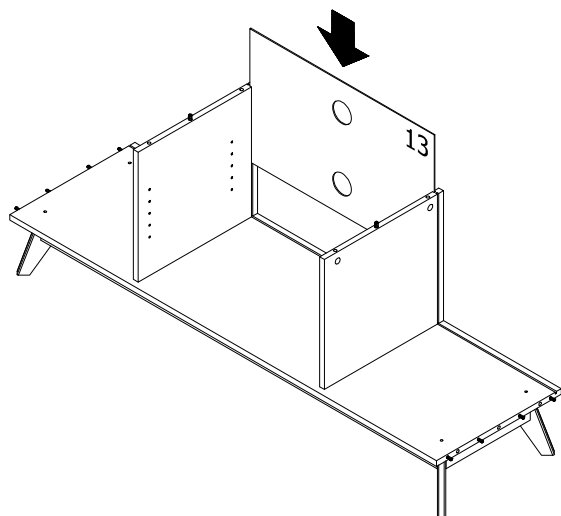
9



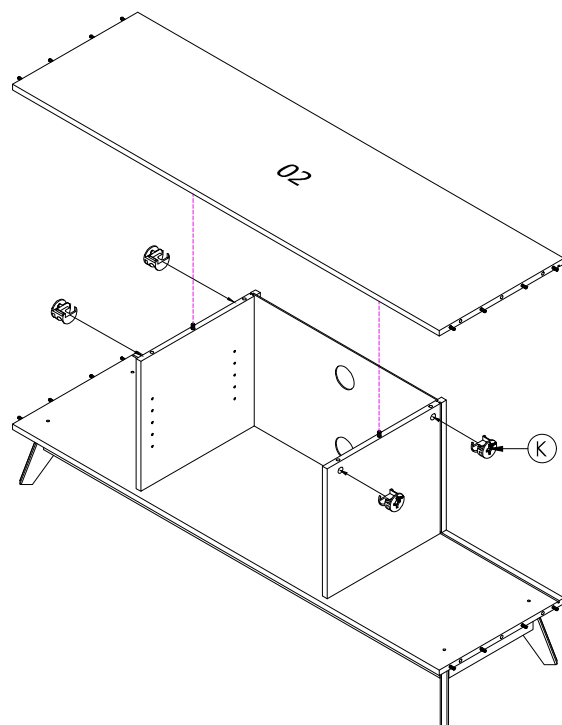
X4 SIDE

(A) X8
(B) X4
(Q) X4

10

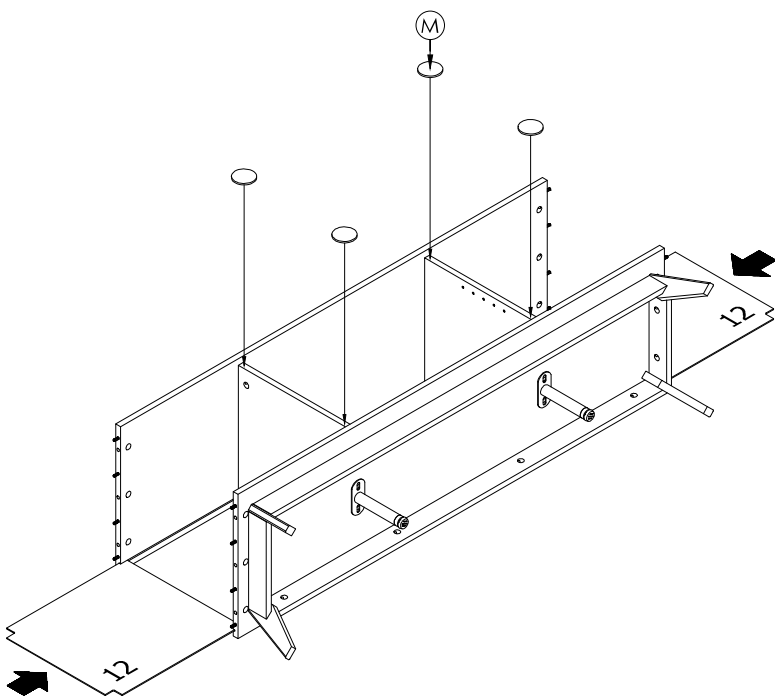


11



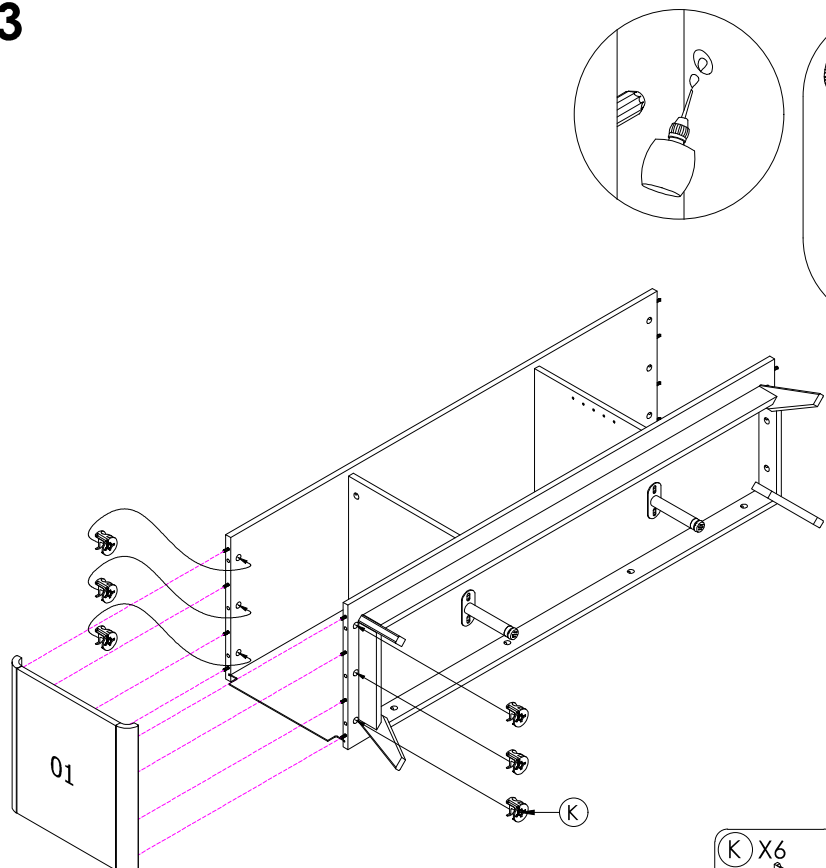
(K) X4
(U)

12



(M) X4

13



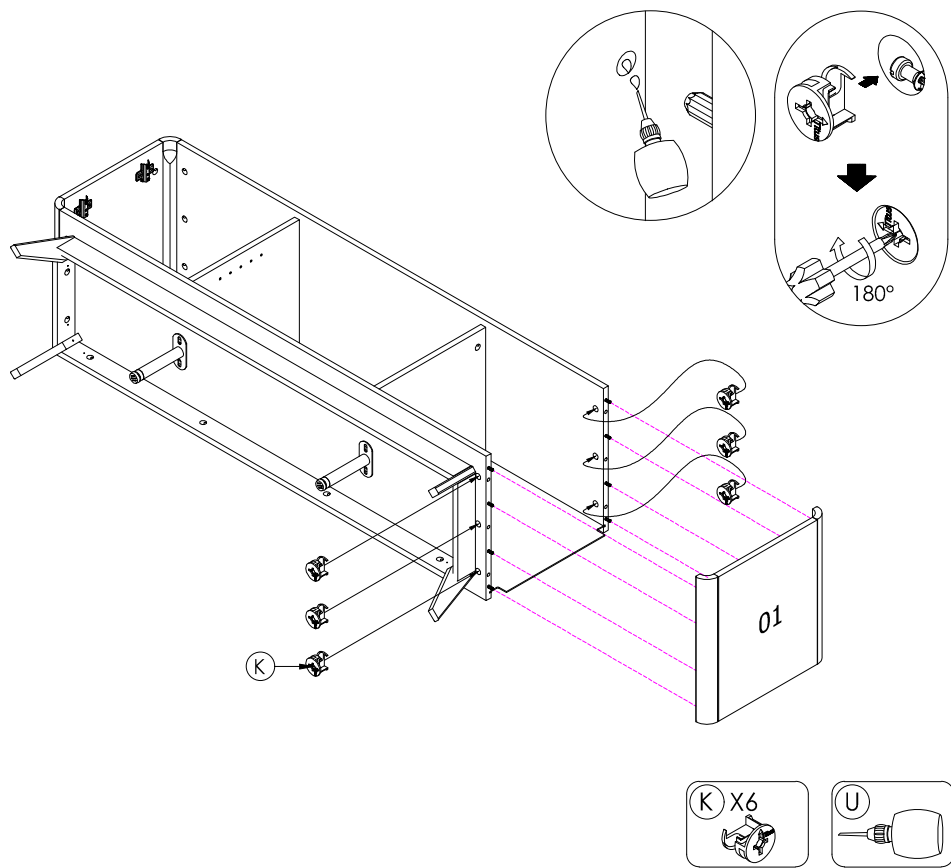
(K) X6
(U)

ASSEMBLING GUIDE MODEL 7306-9-01

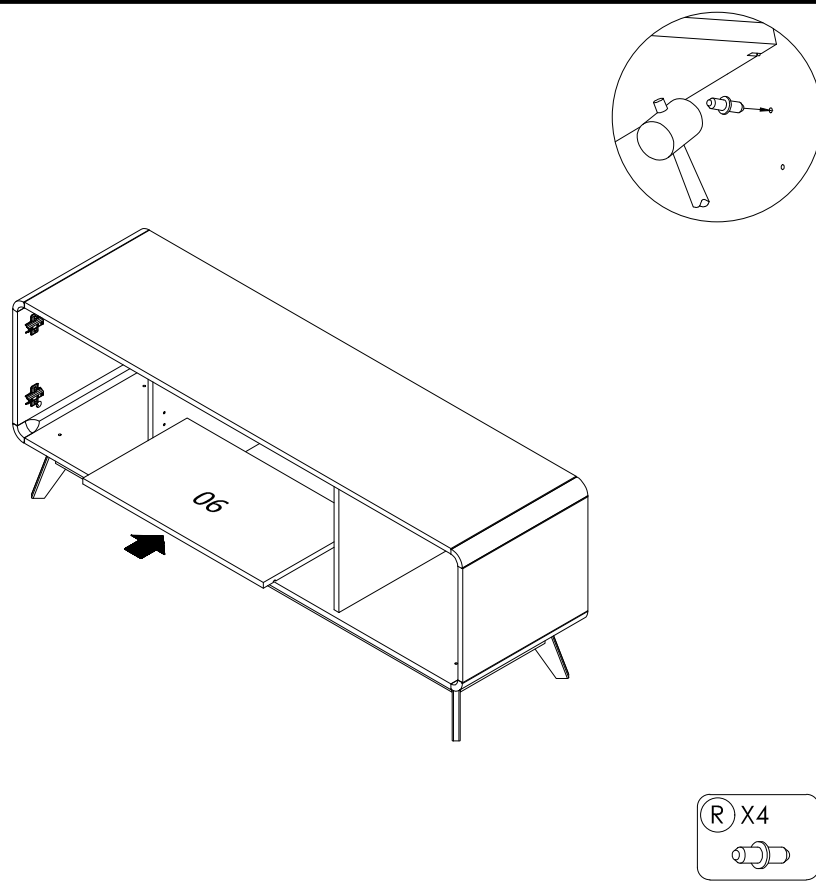
**WARNING! NOT SUITABLE FOR CHILDREN
UNDER 3 YEARS. CONTAINS SMALL PARTS.**

CAUTION
MATERIAL USED - LAMINATED MEDIUM DENSITY FIBERBOARD AND PARTICLEBOARD FRAME * TO CLEAN
USING SOFT, DRY, CLOTH * DO NOT USE DETERGENT OR CHEMICALS * AVOID CONTACT WITH WATER AND
DIRECT SUNLIGHT * TO BE ASSEMBLED ON A SOFT, DRY, CLEAN AND SMOOTH SURFACE * DO NOT USE
POWER DRILLS TO ASSEMBLE AS THIS MAY CAUSE DAMAGE TO THE PRODUCT IF OVER-TIGHTENED

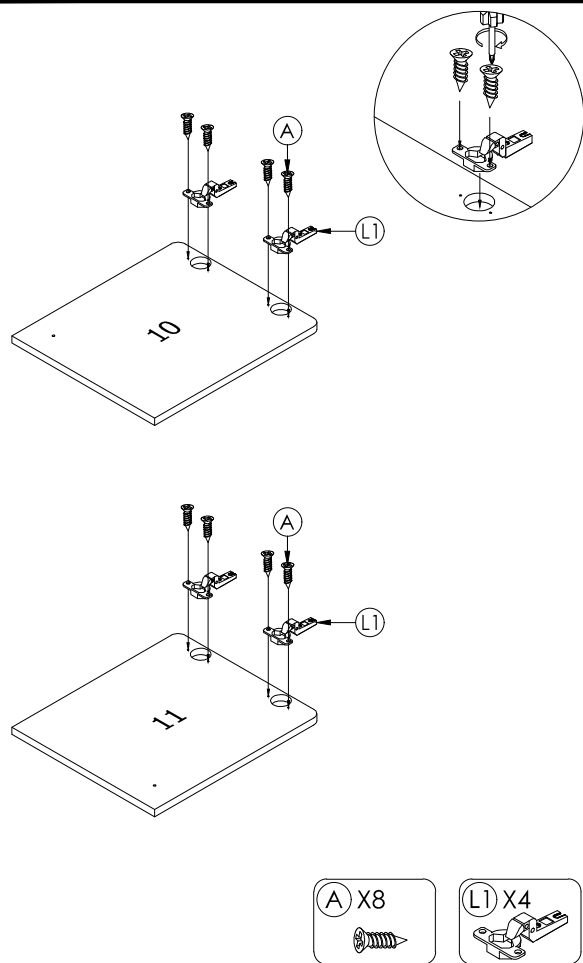
14



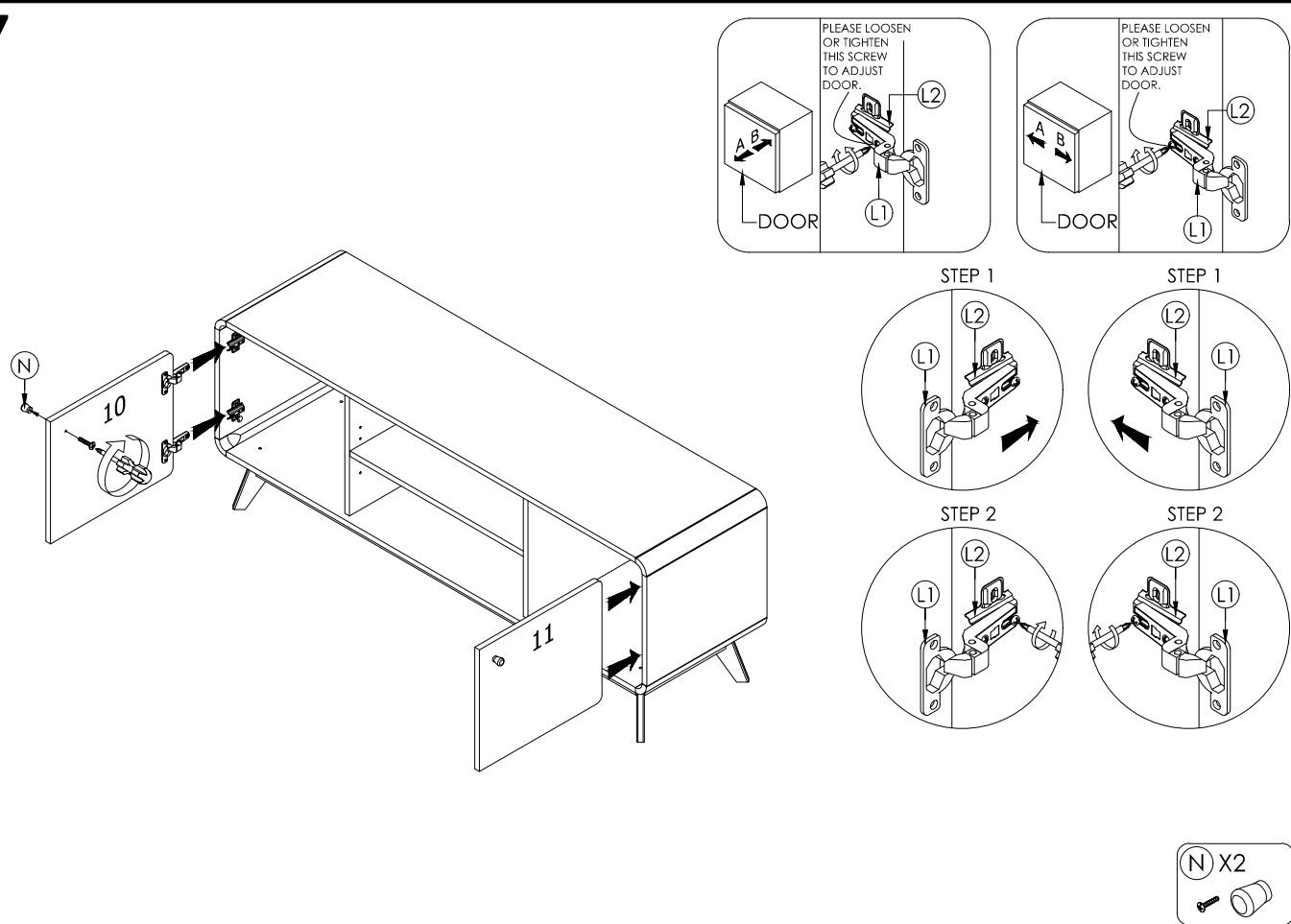
15



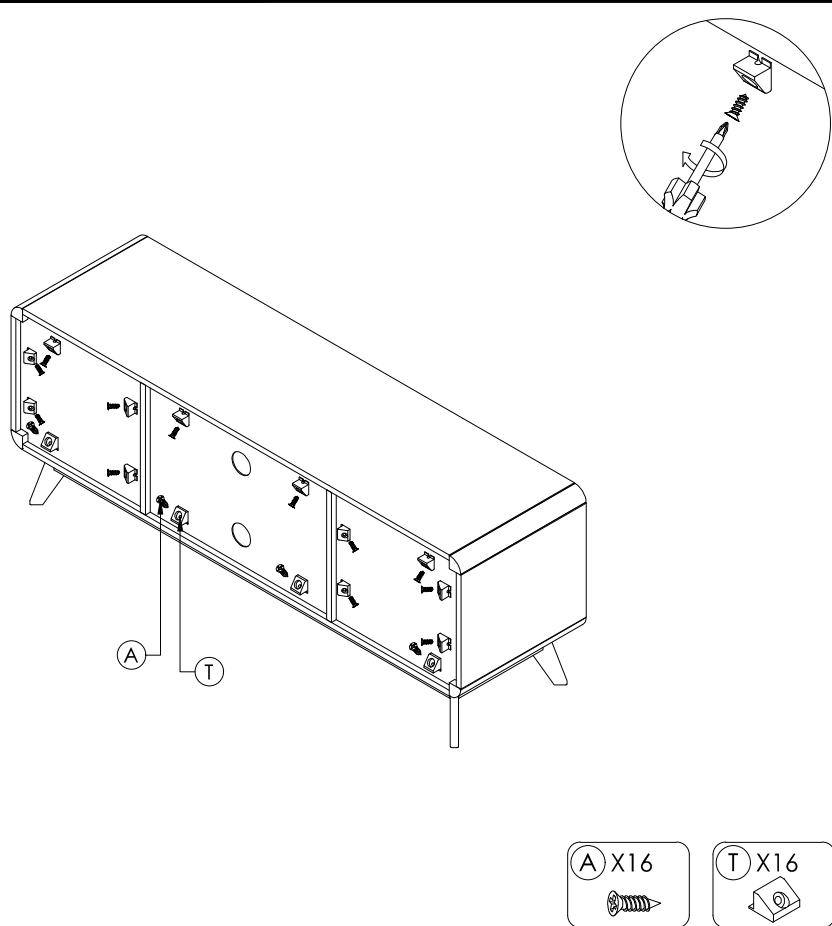
16



17



18



19

