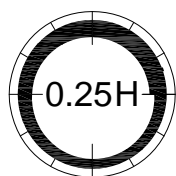
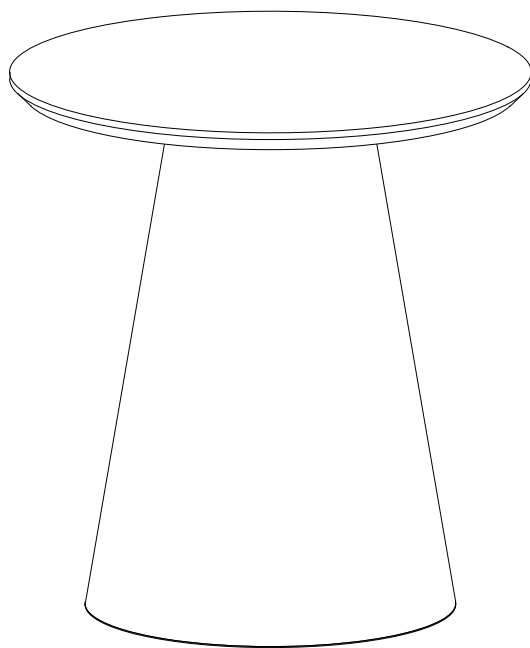
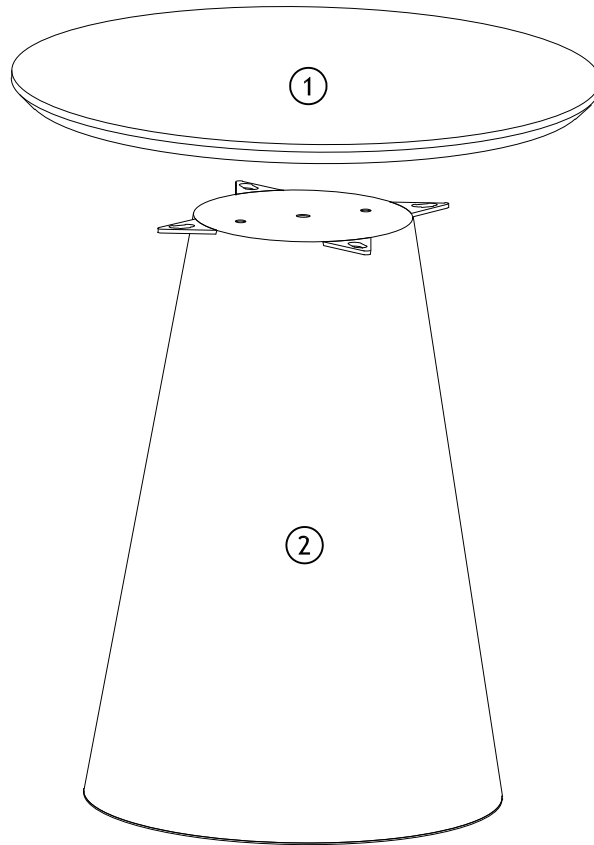

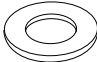
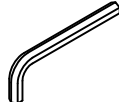
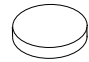


# SOLI







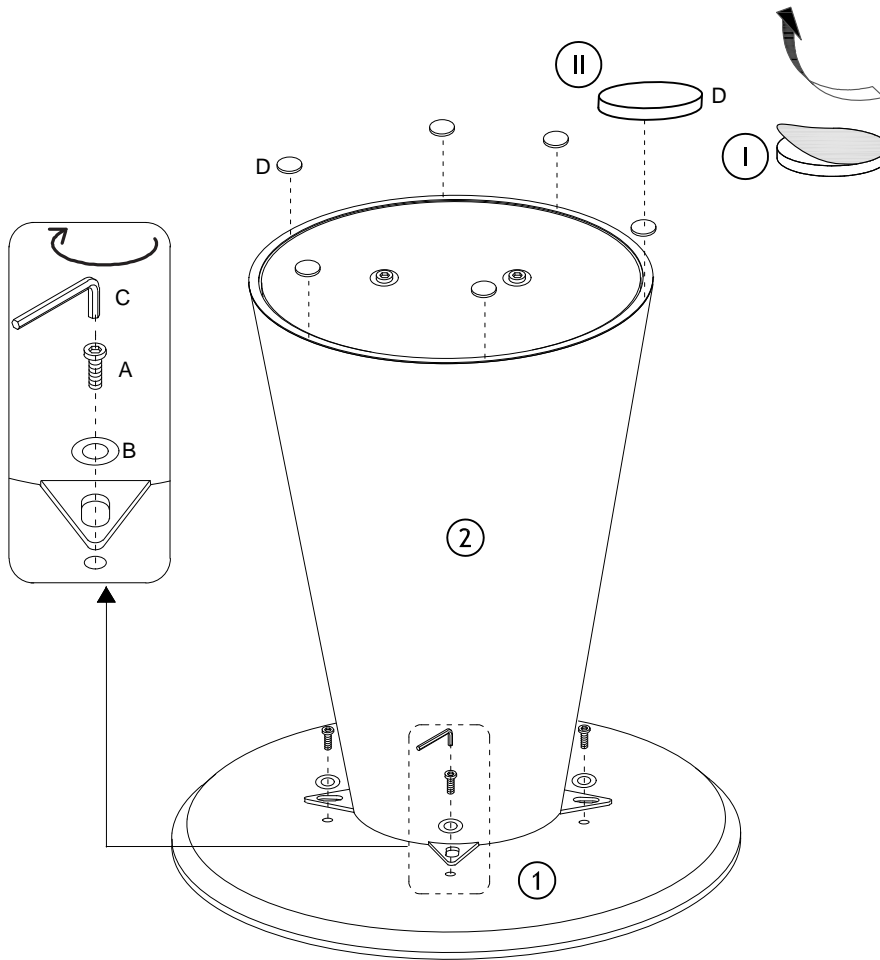
			✓
①	1	Ø450x18	
②	1	Ø168/Ø320x455	



A x 4	B x 4	C x 1	D x 6
			
M8x18 mm	Ø8/Ø16 mm	5 mm	Ø12x5 mm

# 1

A x 4  M8x18 mm	B x 4  Ø8/Ø16 mm	C x 1  5 mm	D x 6  Ø12x5 mm
--	---	--	--



# 2

