
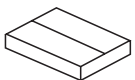

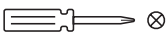
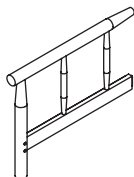


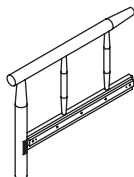


Kave® Cares

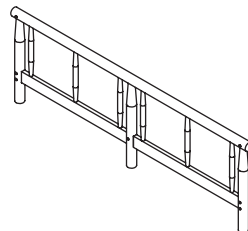
			
30 min	x1	x2	x1



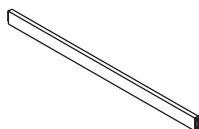
A x1



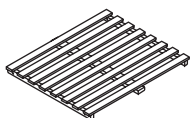
B x1



C x1



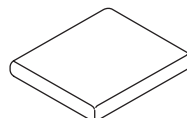
D x1



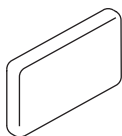
E x2



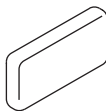
F x1



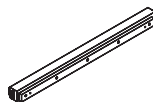
G x2



H x2



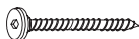
I x2



J x1



K x1
4mm



L x11
ø7x90mm



M x8
øM7x45mm

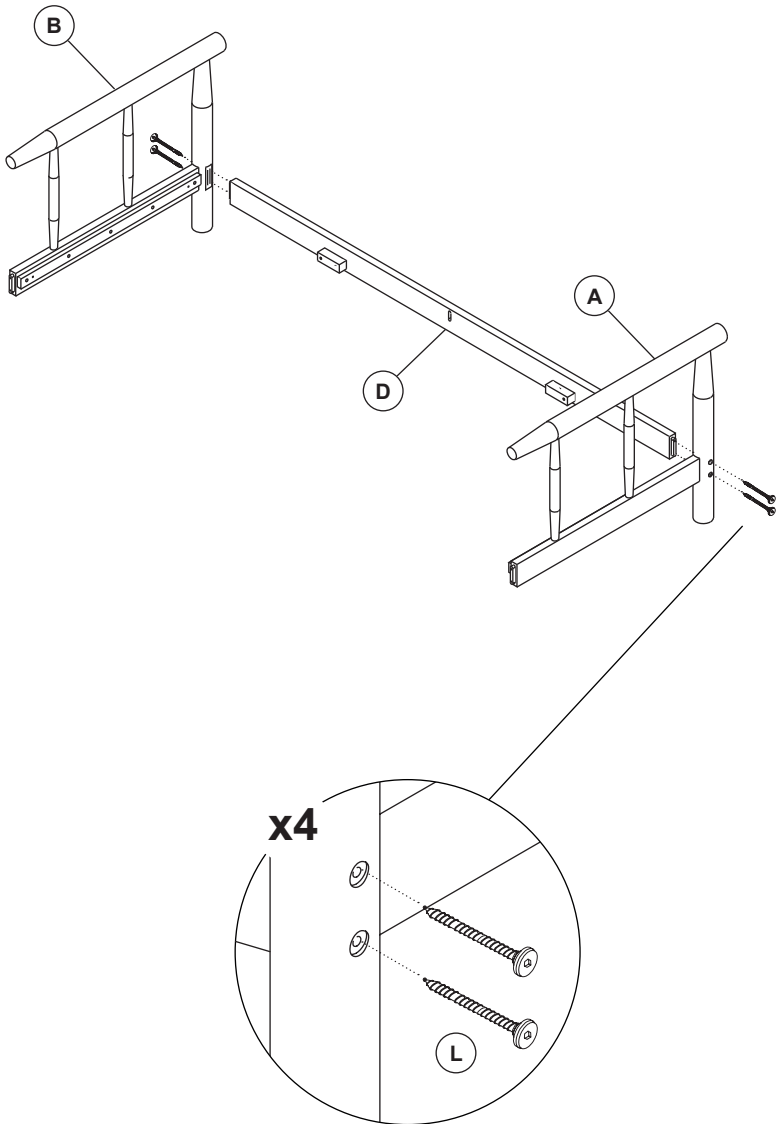


N x4
ø7x45mm

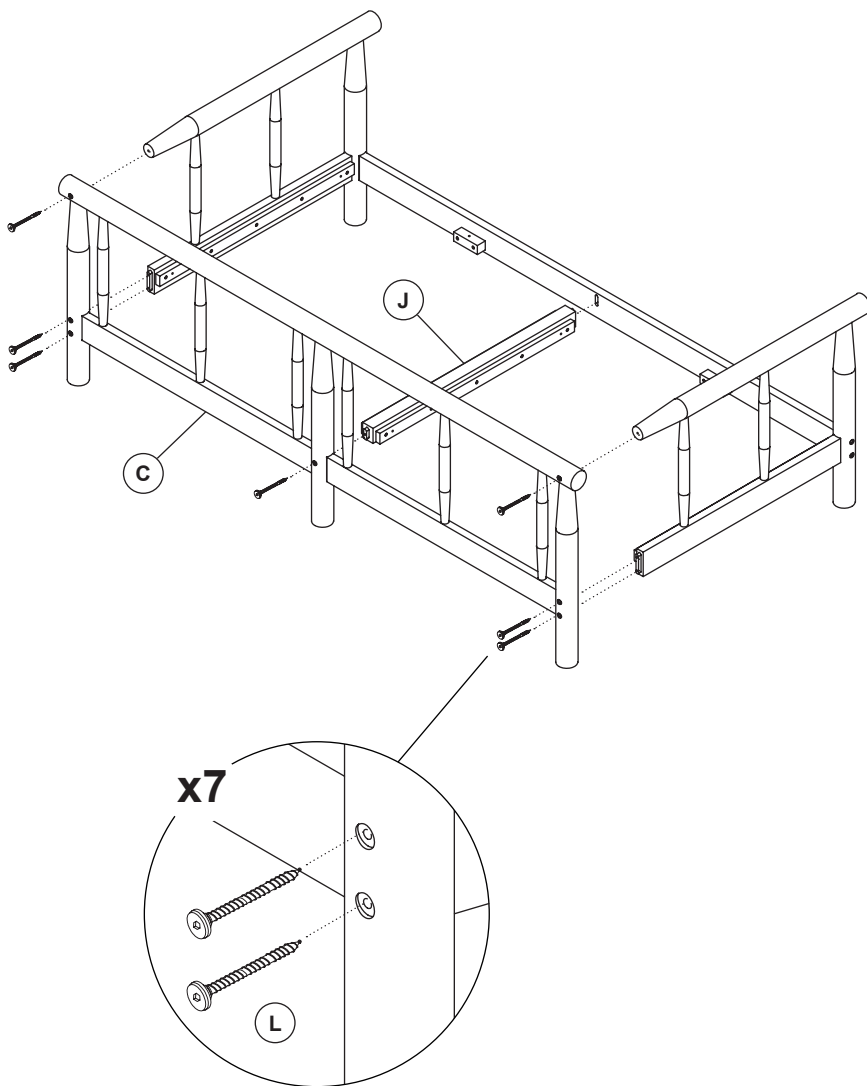


O x2
M6x40mm

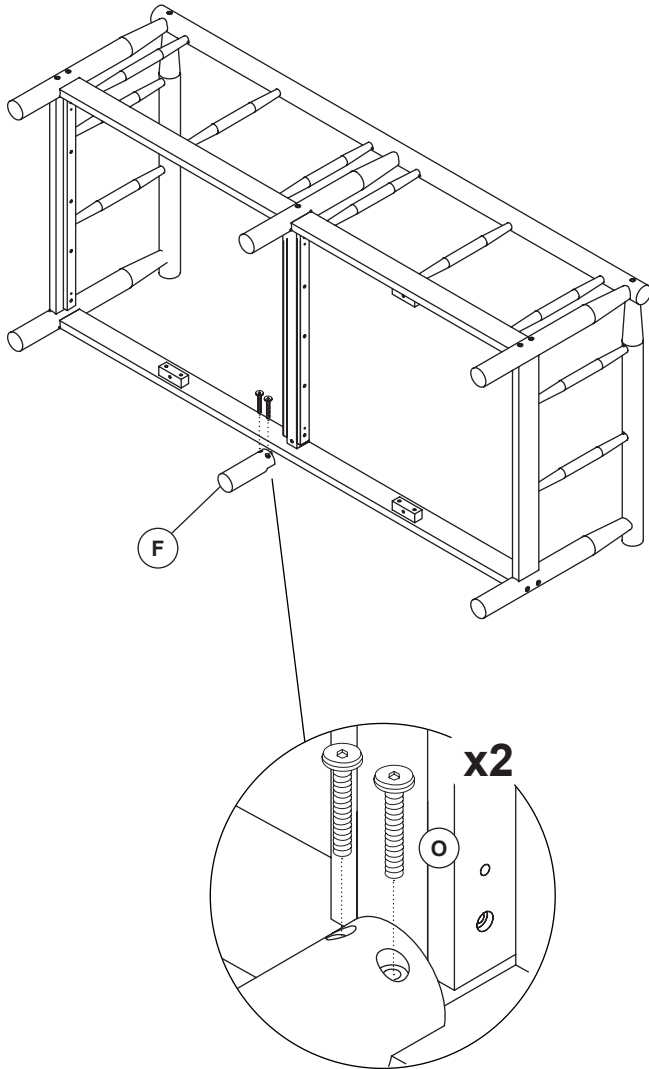
1



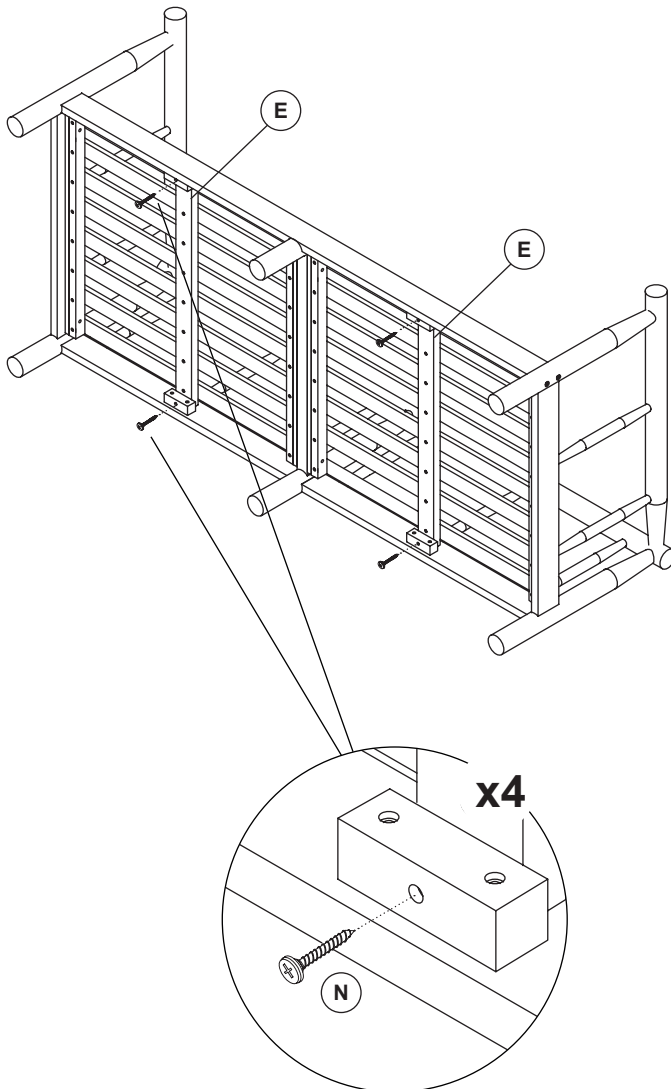
2



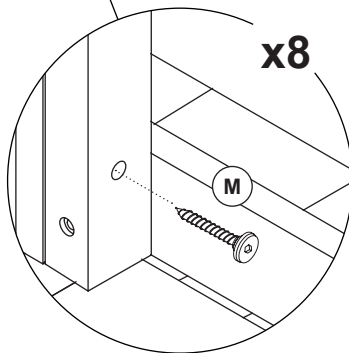
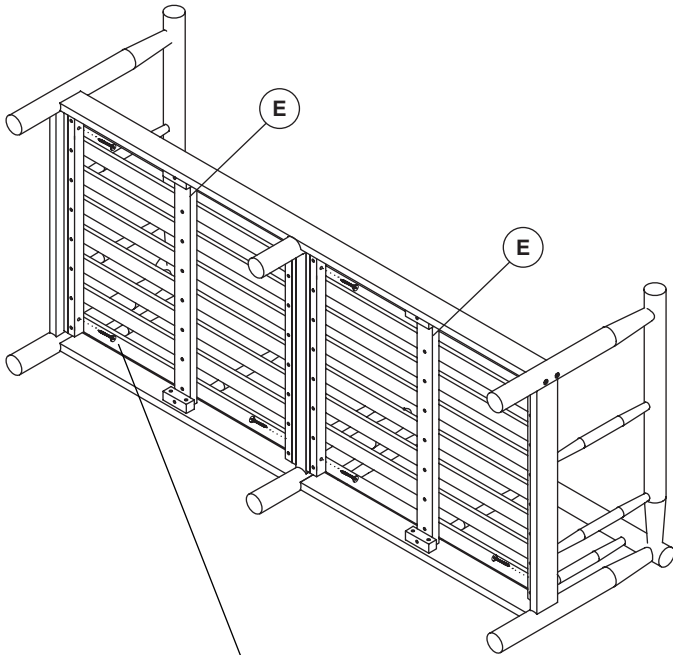
3



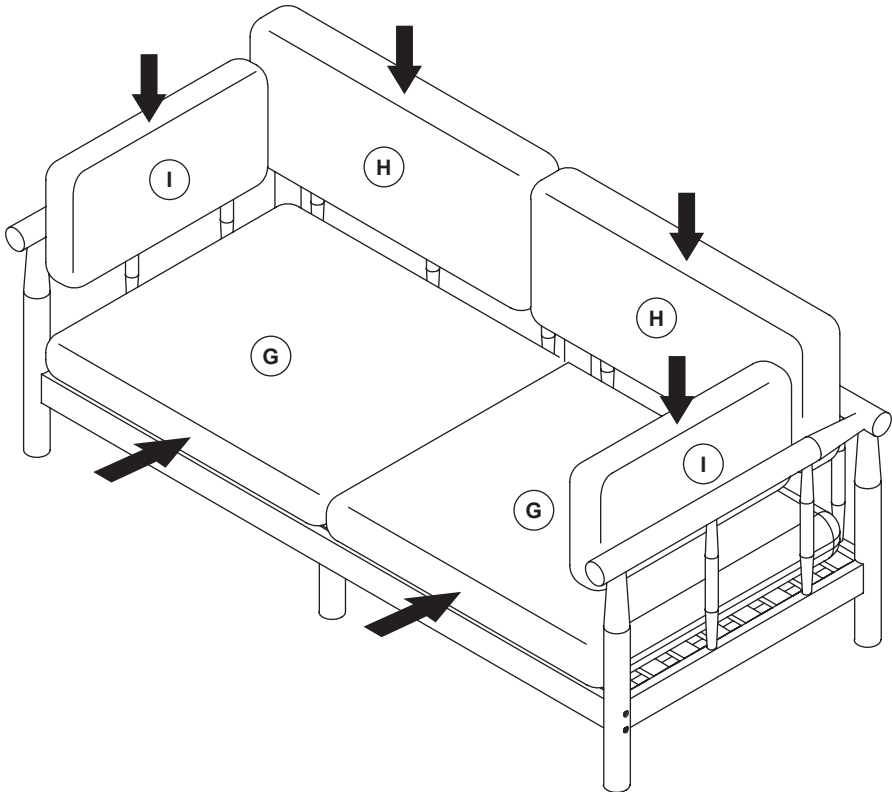
4

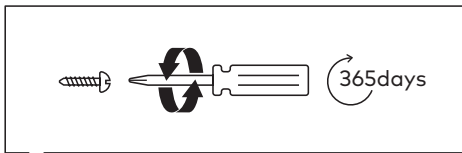
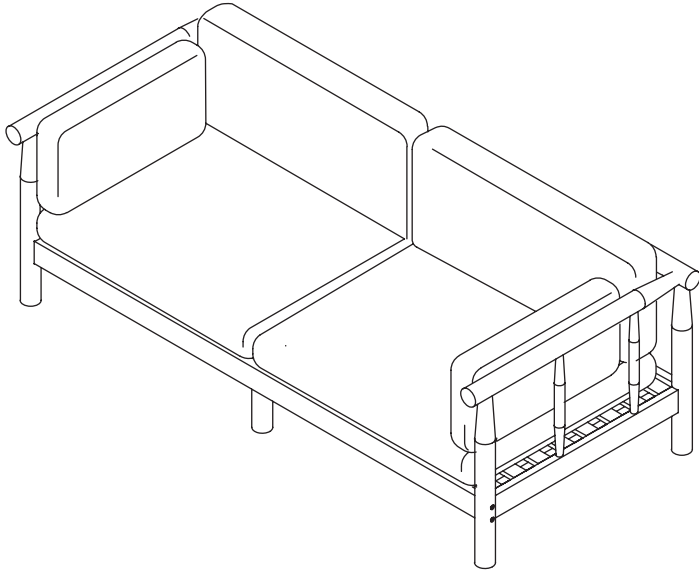


5



6







THAT'S ALL FOLKS

Share your style!

#KaveHome

