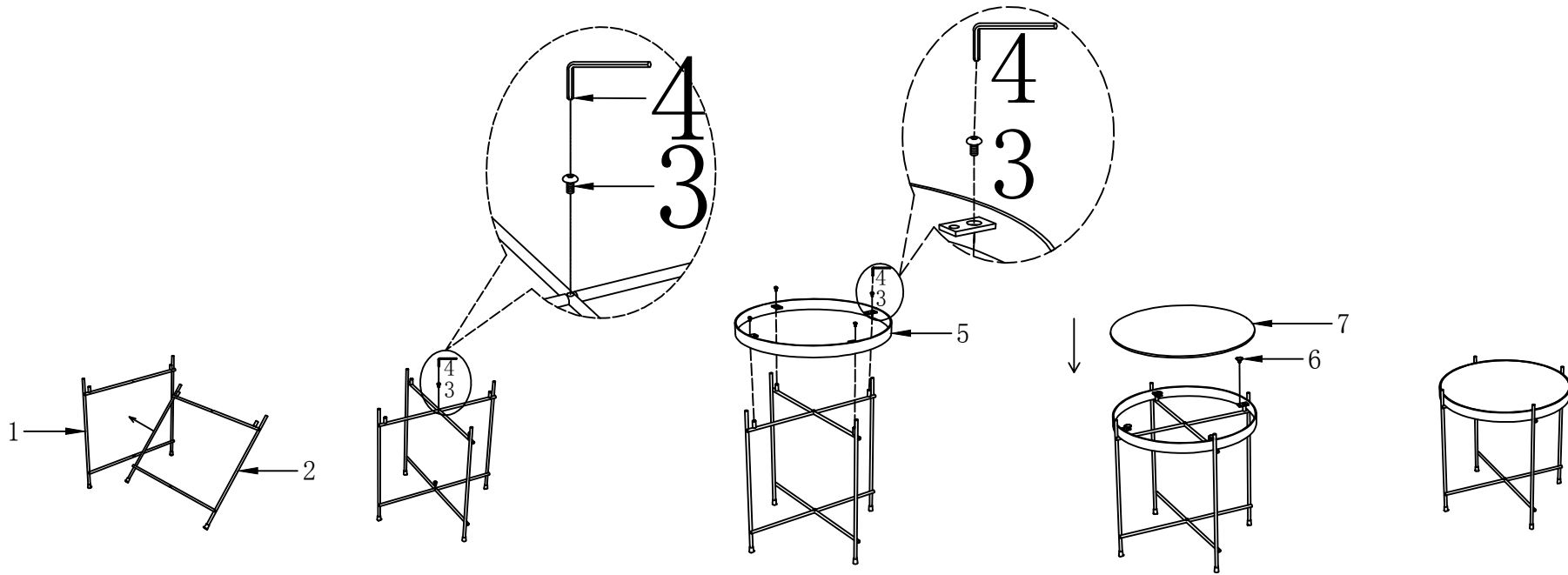
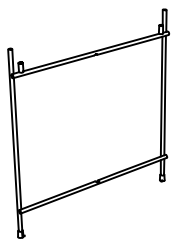


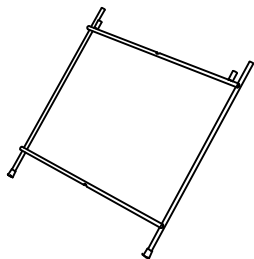
216 Tea table installation diagram



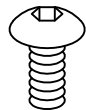
1、Several
1 pc



2、Several
1 pc



3、Screw
M4*10
6 pc



4、Wrench
S2.5
1 pc



5、On the lap
1 pc



6、Chnck
 $\phi 20*12-\phi 6.5$
4 pcs



7、Glass
1 pc

