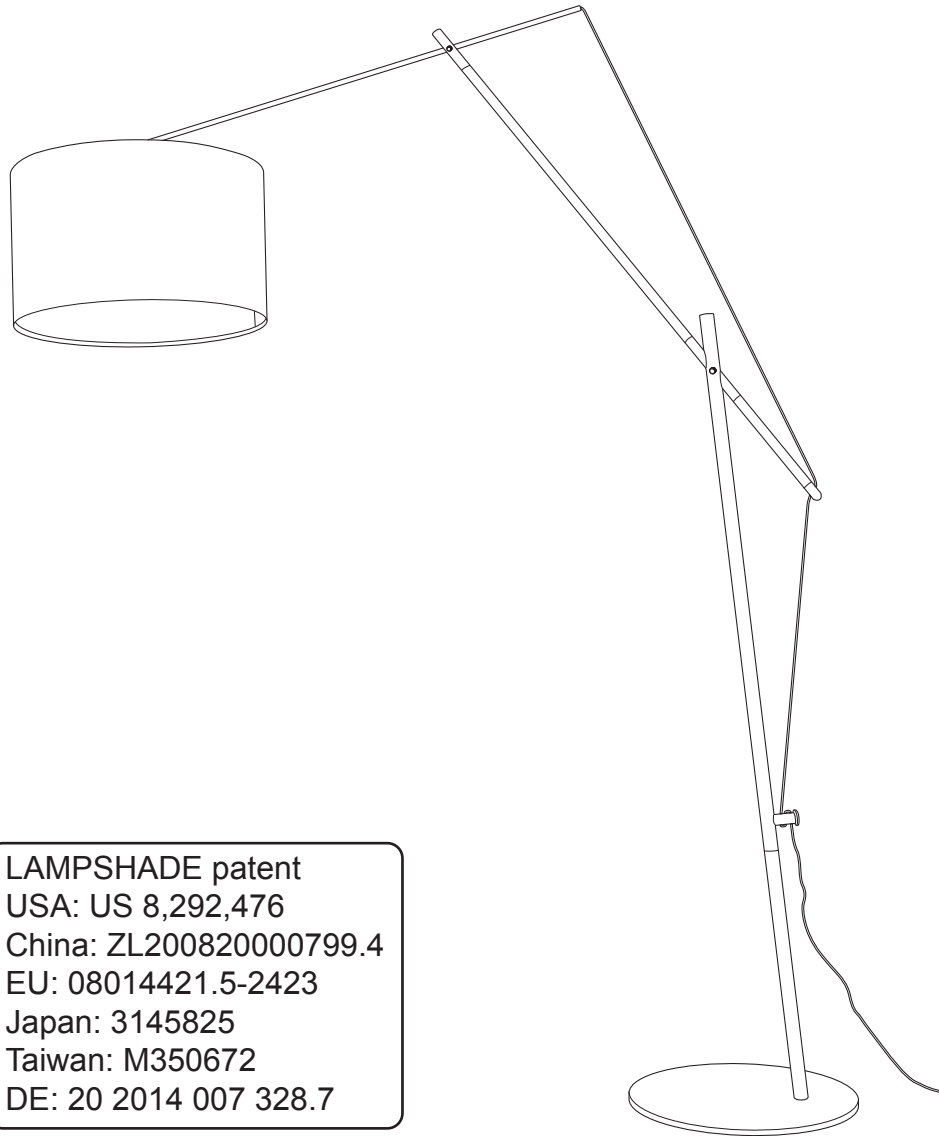


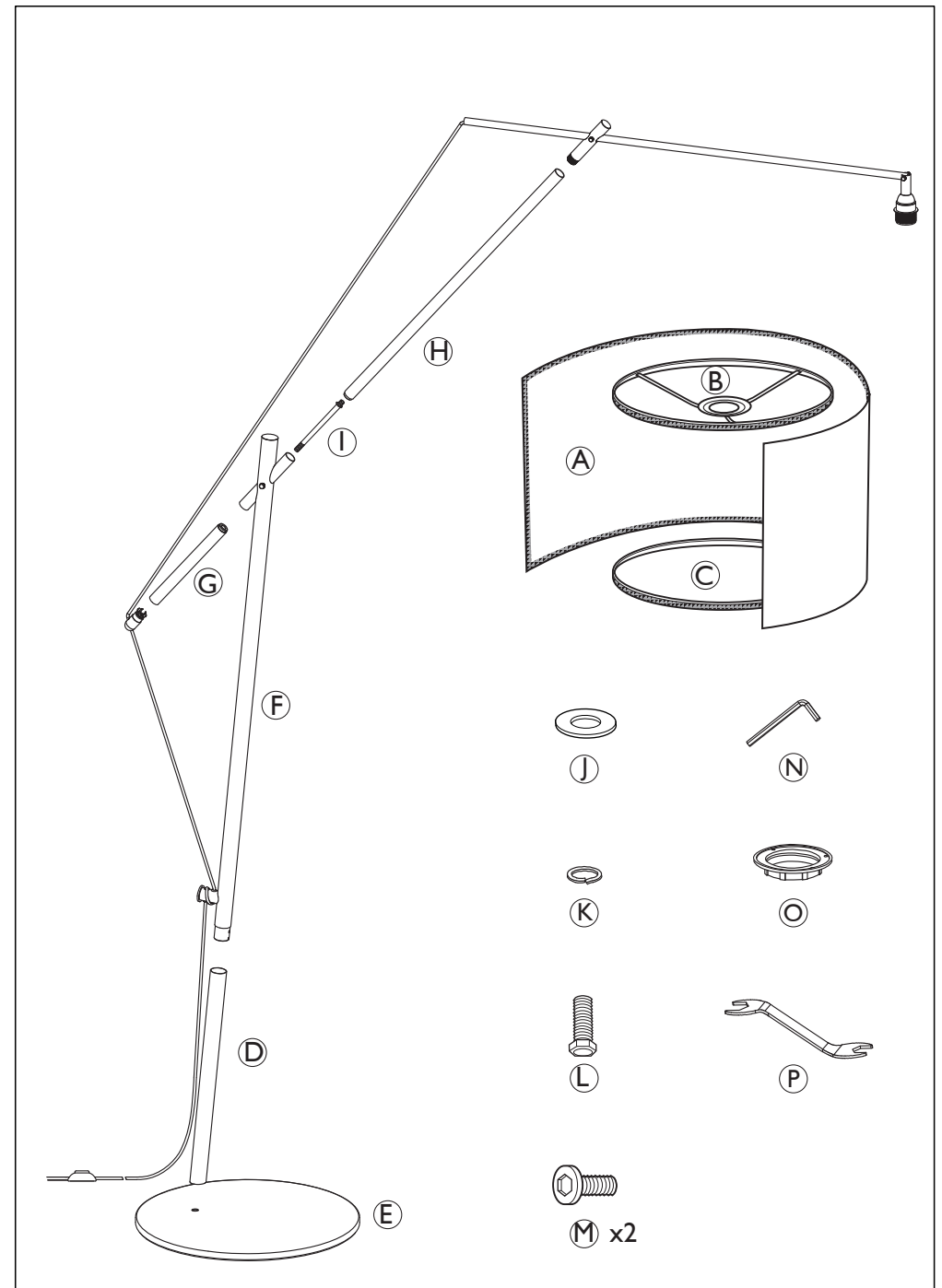
ASSEMBLY INSTRUCTIONS

5100079

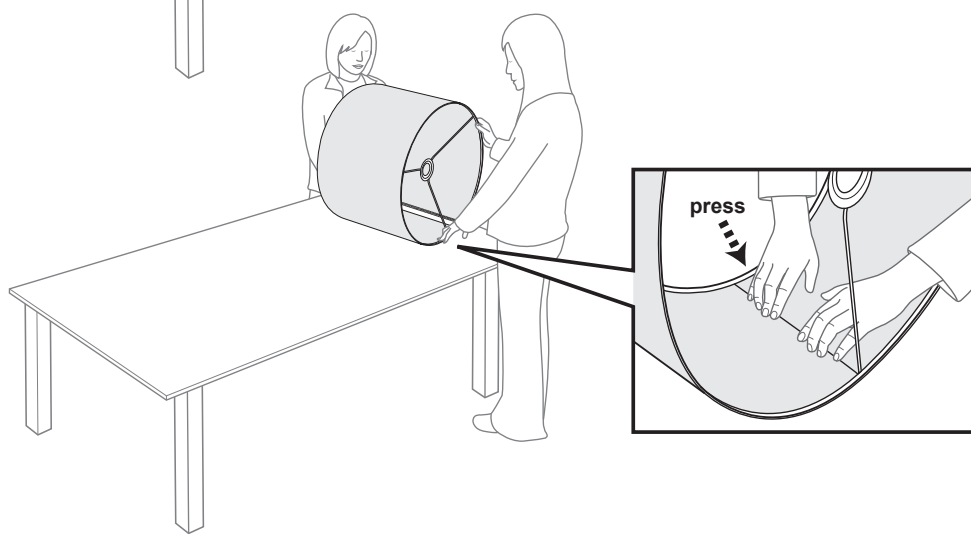
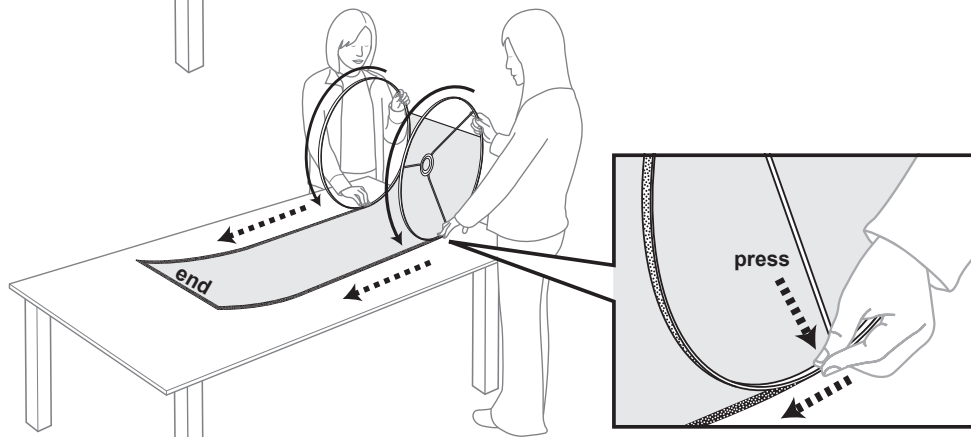
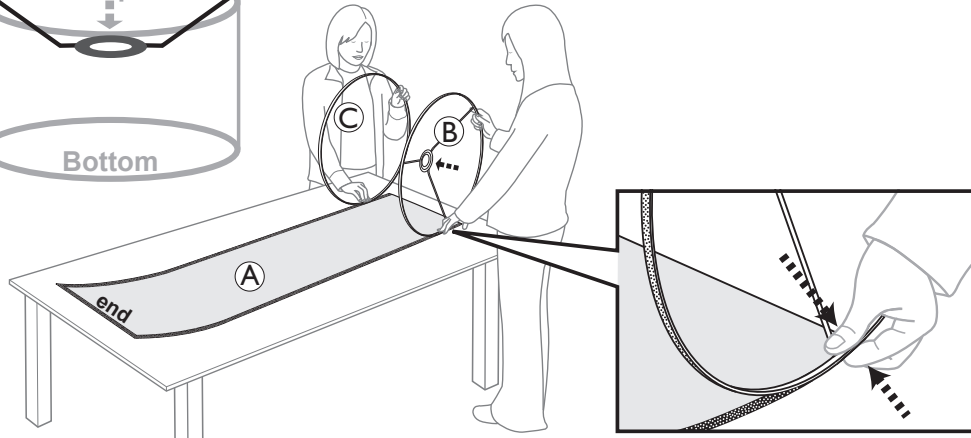
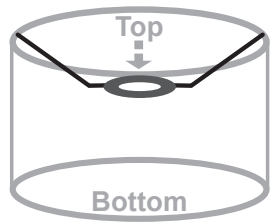


LAMPSHADE patent
USA: US 8,292,476
China: ZL200820000799.4
EU: 08014421.5-2423
Japan: 3145825
Taiwan: M350672
DE: 20 2014 007 328.7

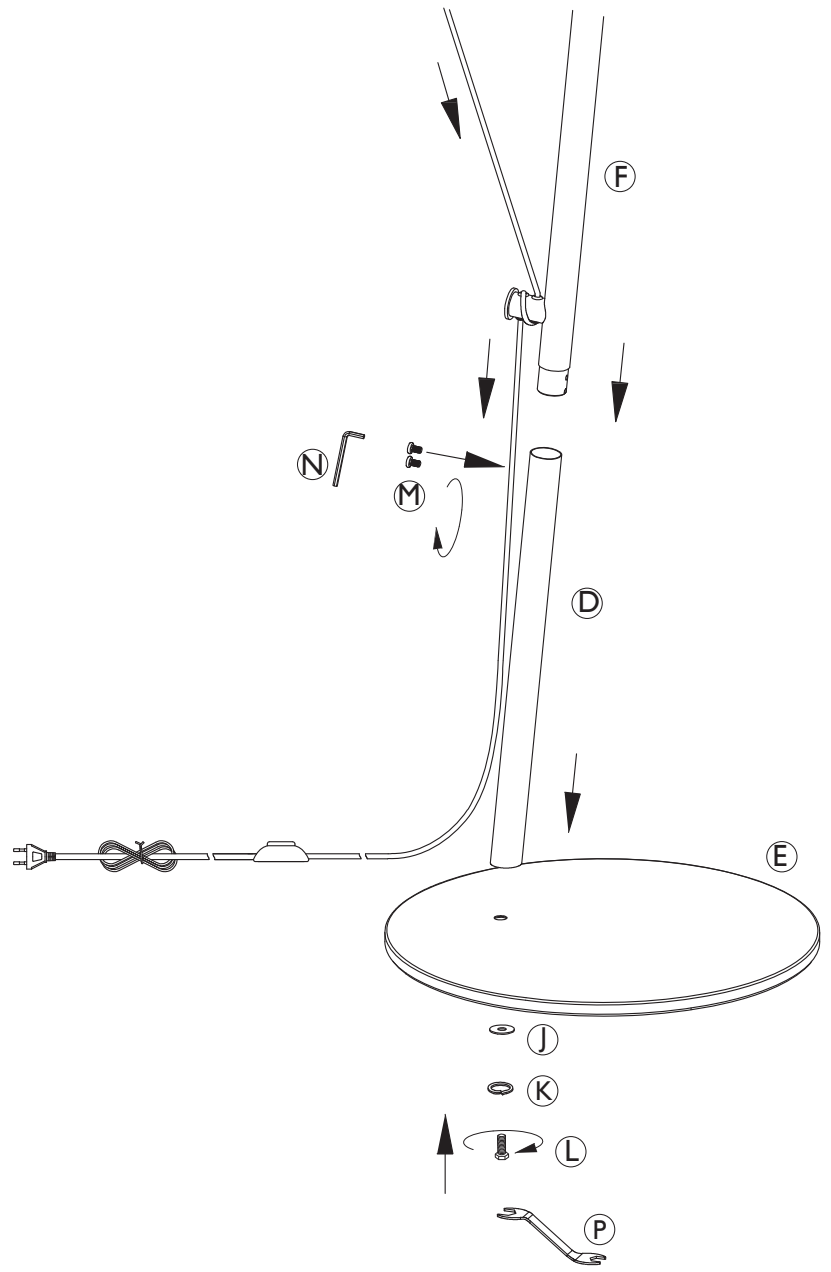
Caution: If the external flexible cable or cord of this luminaire is damaged, it should be replaced by a qualified person in order to avoid a hazard.



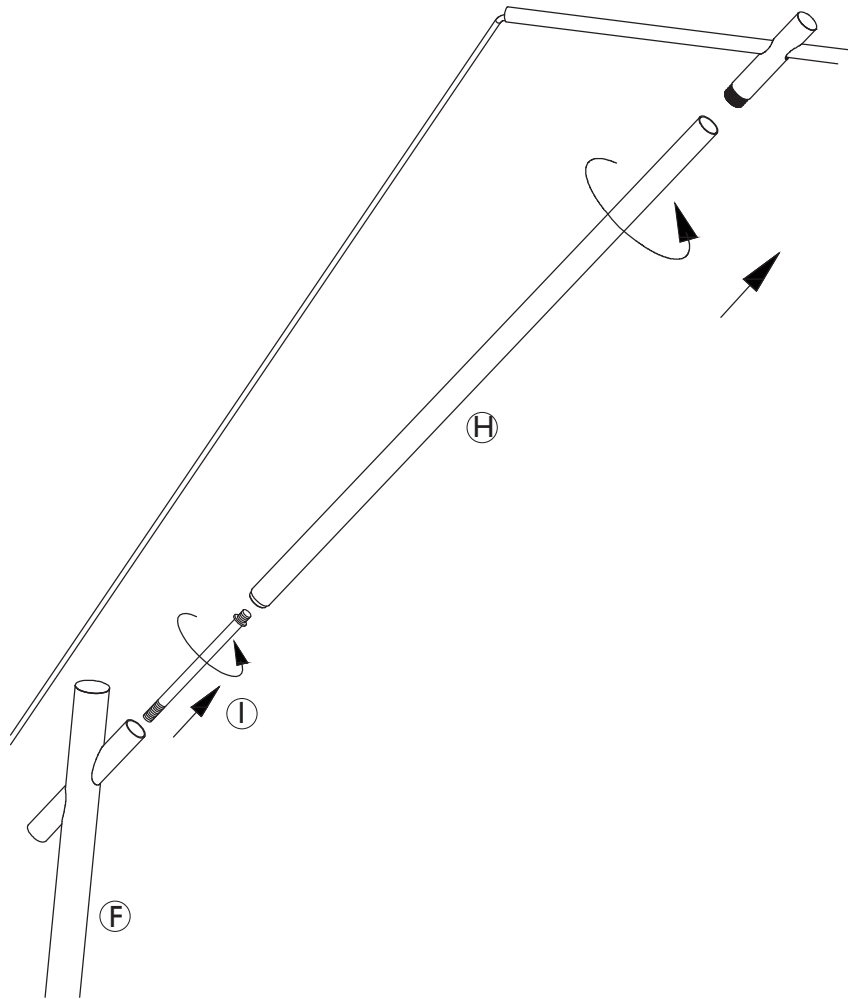
1



2



3



4

