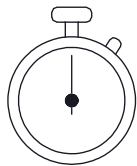
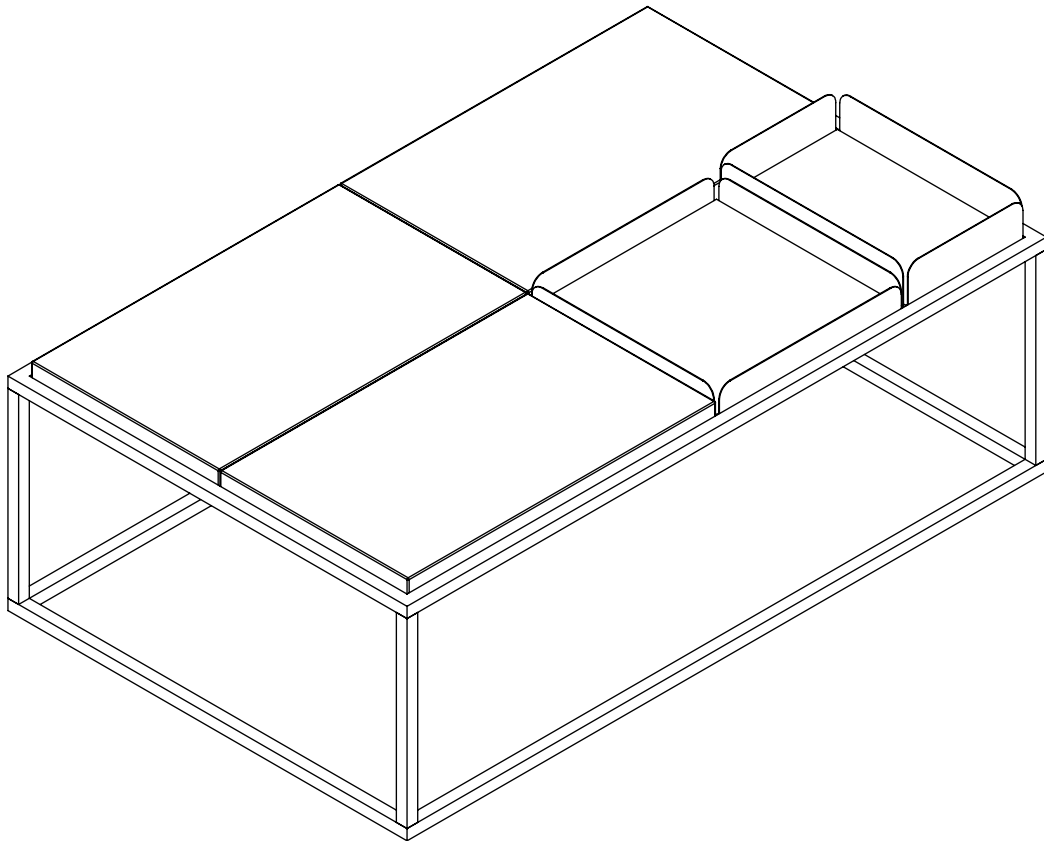


# DOURO



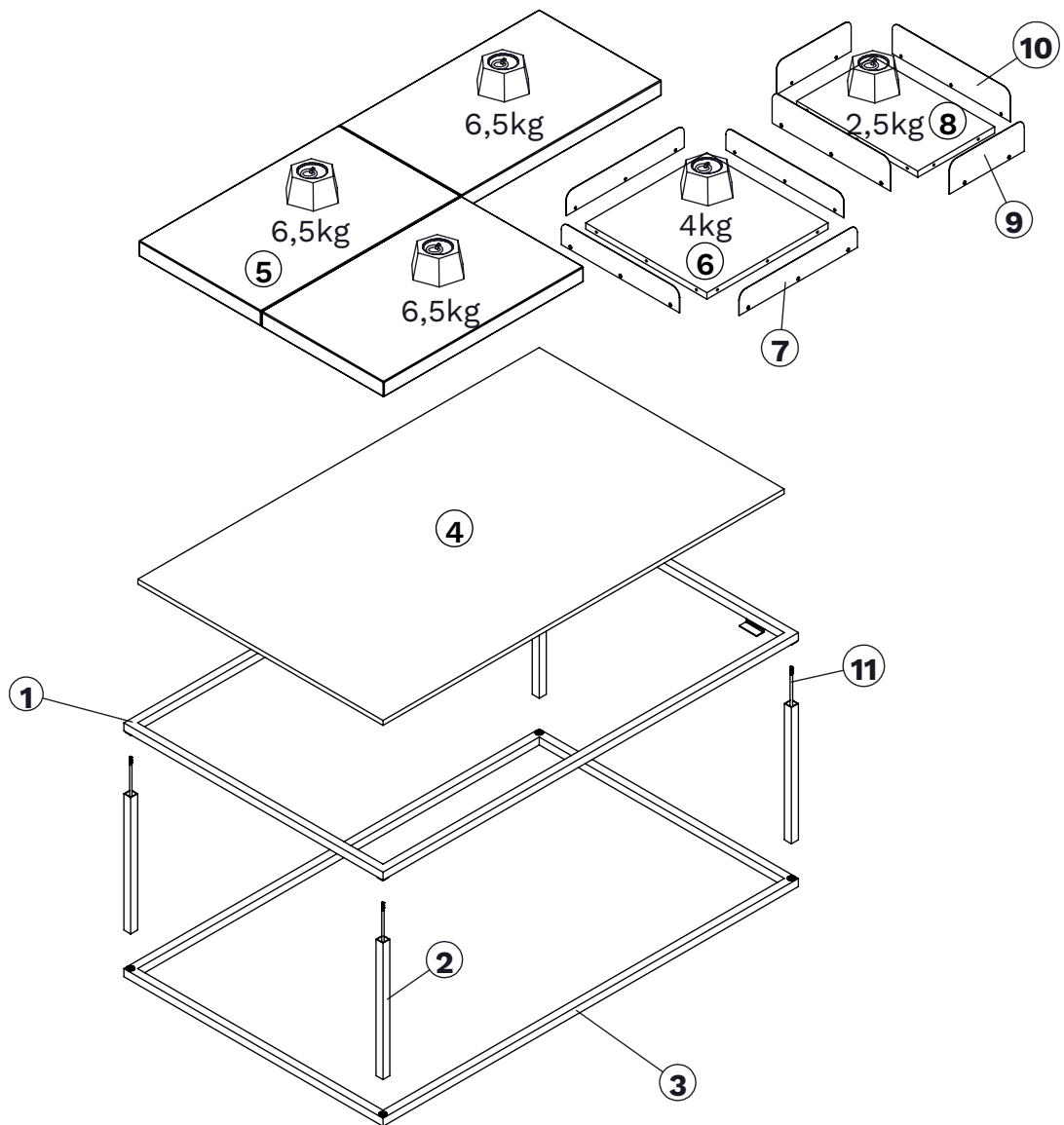
0 : 20




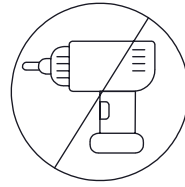
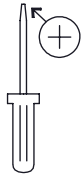
x 1



**TEMAHOME**  
welcome vibrations



○	x	mm	
1	1	1196 x 746 x 20	1
2	4	340 x 20 x 20	1
3	1	1196 x 746 x 30	1
4	1	1155 x 705 x 12	1
5	3	576 x 352 x 38	1
6	1	349 x 349 x 16	1
7	4	340 x 58 x 1	1
8	1	349 x 221 x 16	1
9	2	215 x 80 x 1	1
10	2	340 x 80 x 1	1
11	4	355 x Ø6	1



UTD x 4



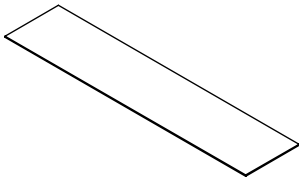
KJ x 1



EFC x 4

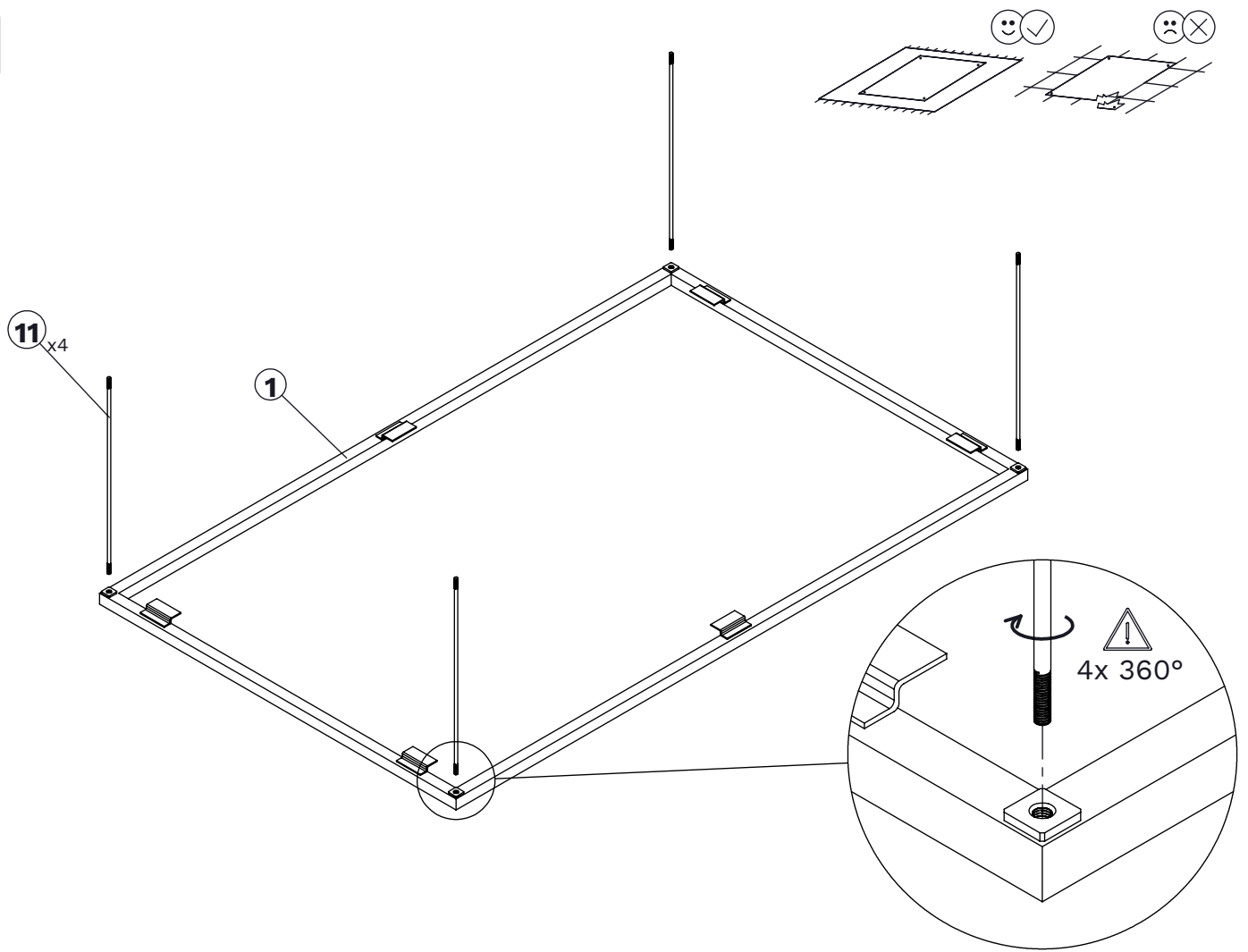


FC x 22

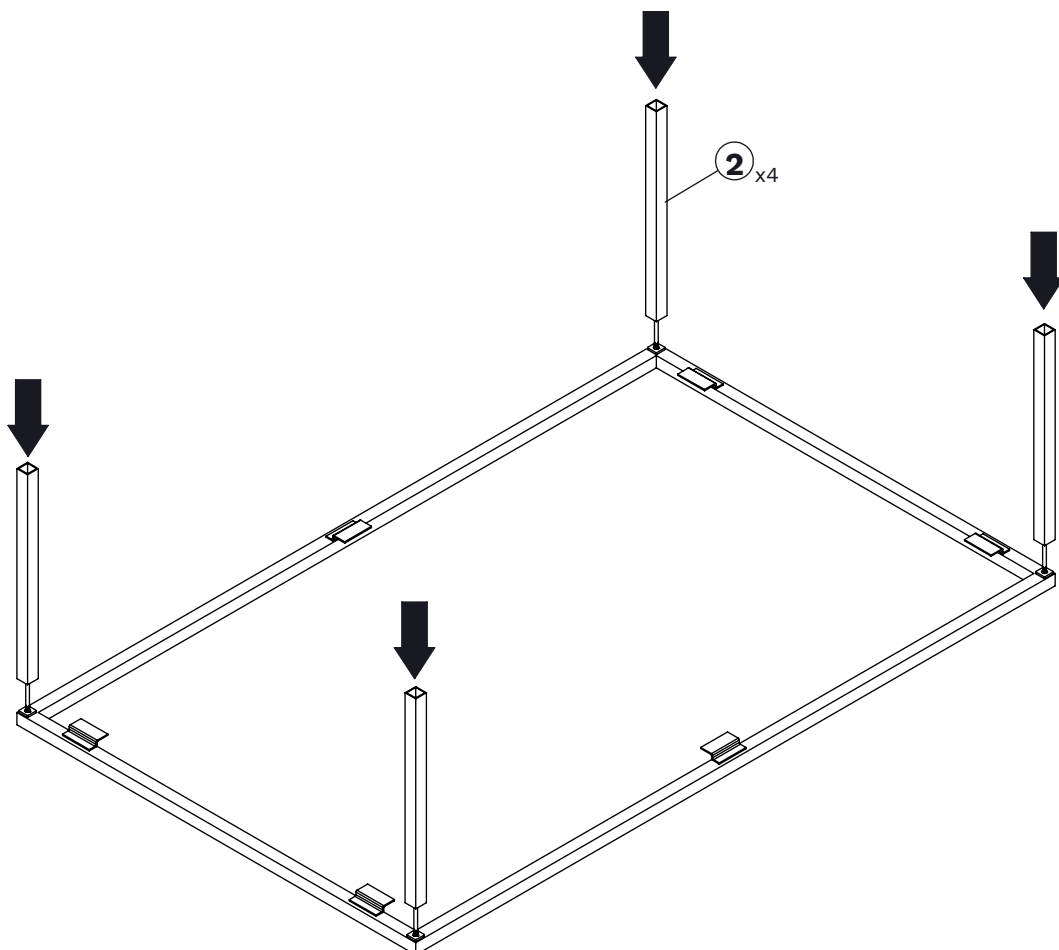


EEC x 4

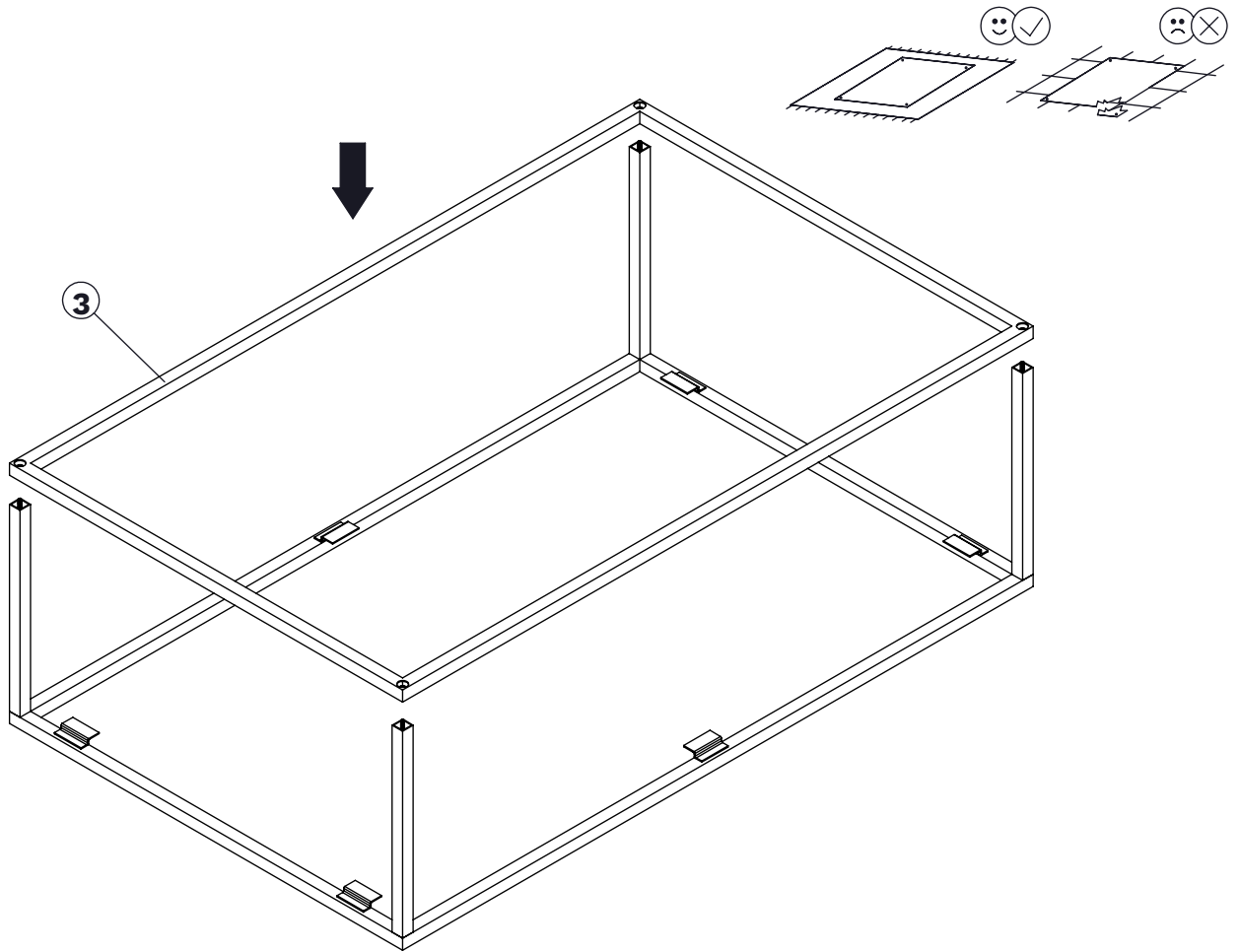
# 1



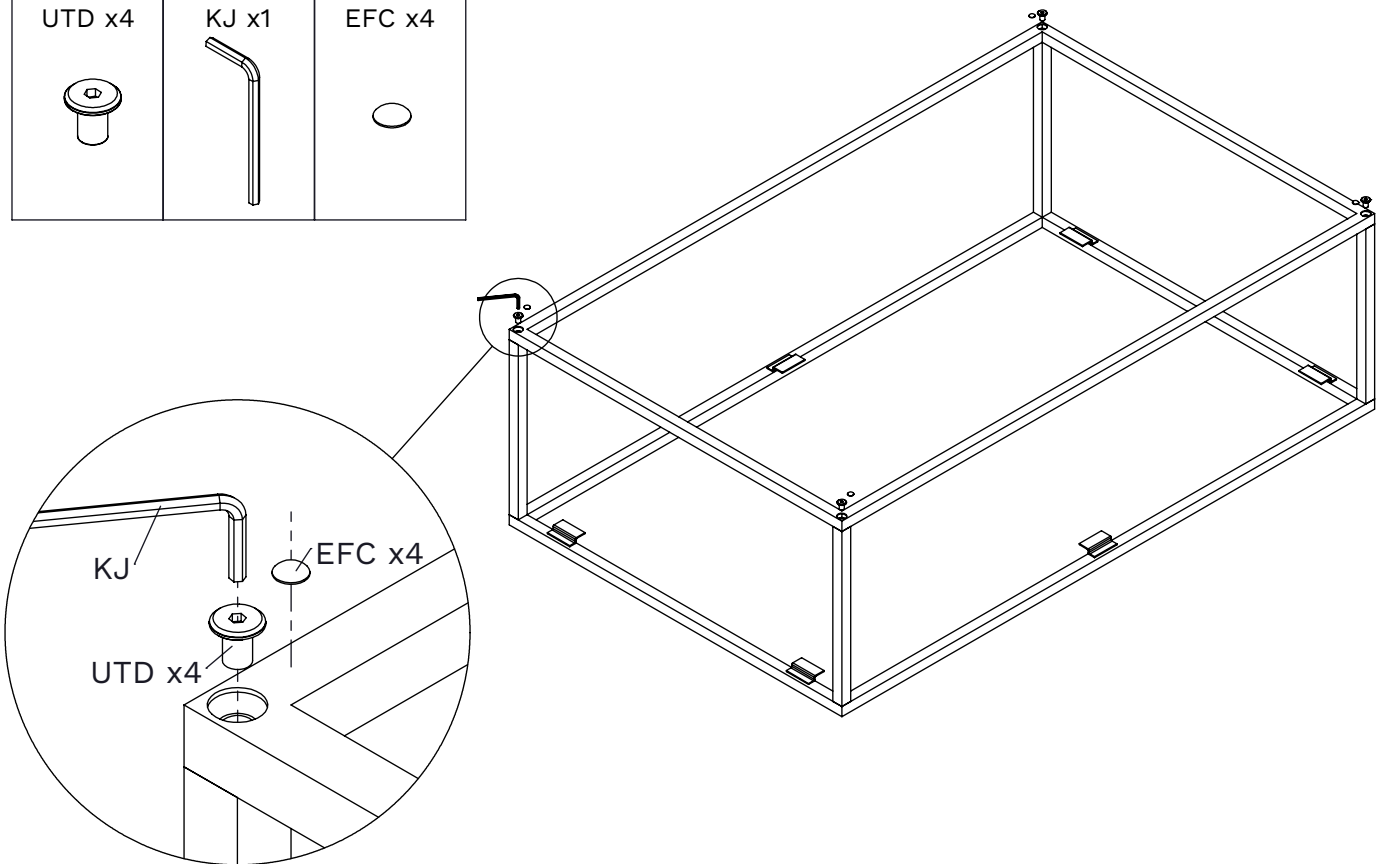
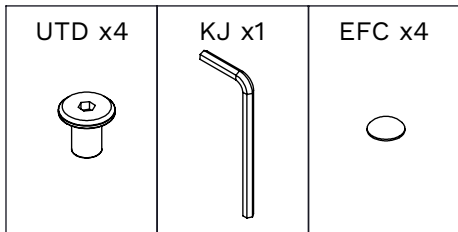
# 2



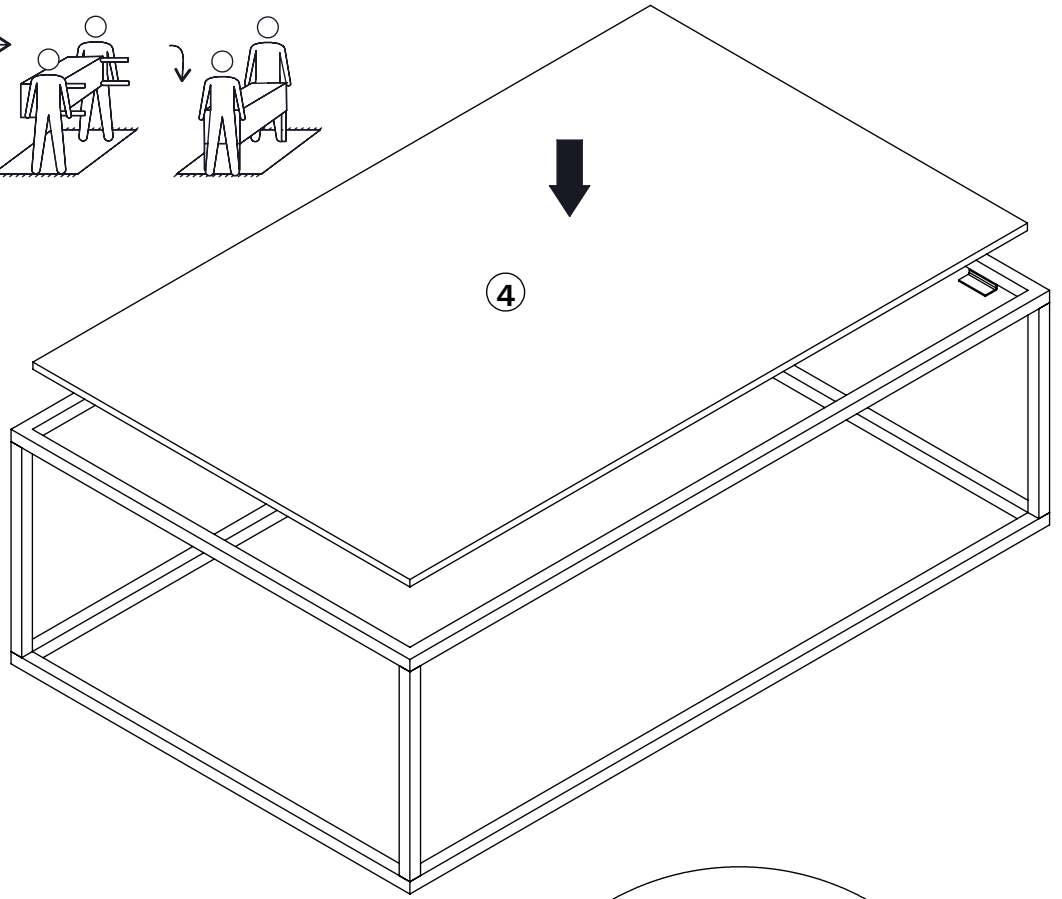
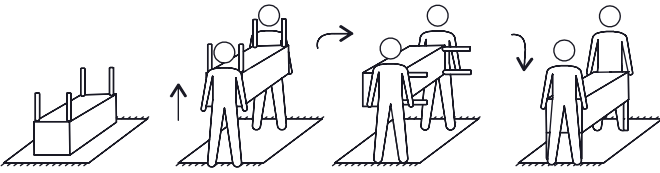
# 3



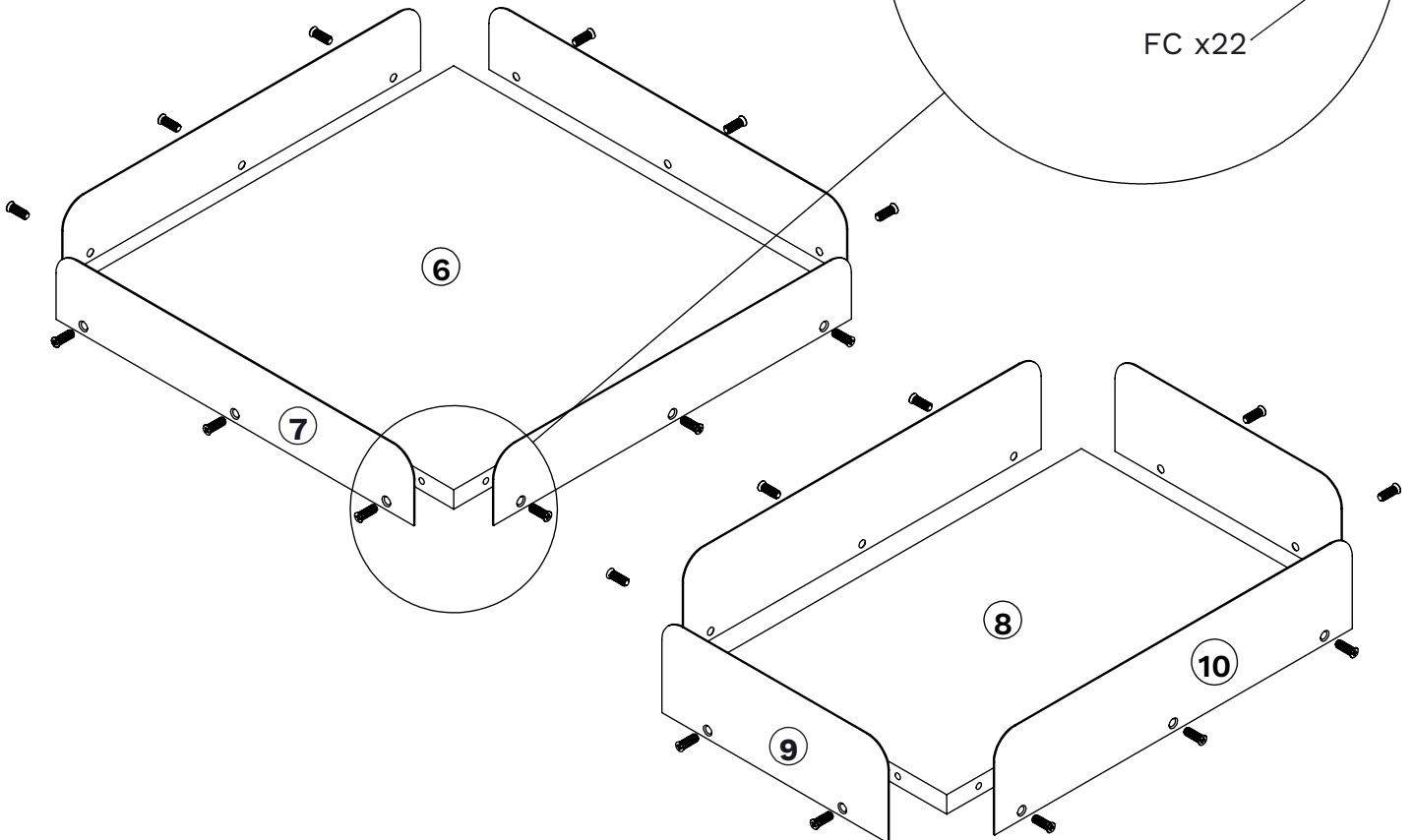
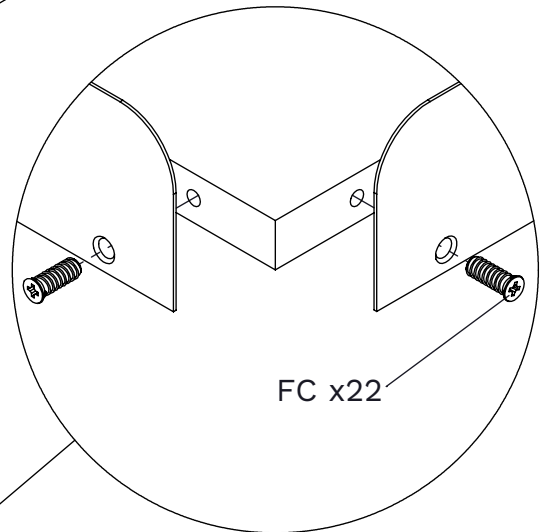
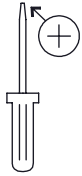
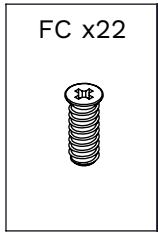
# 4



5

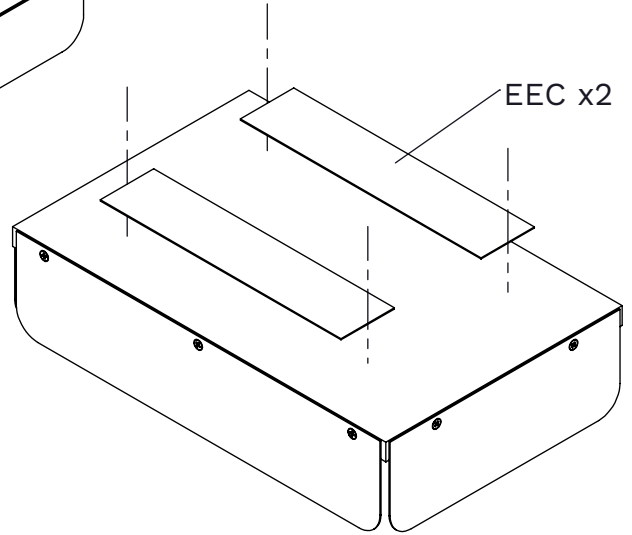
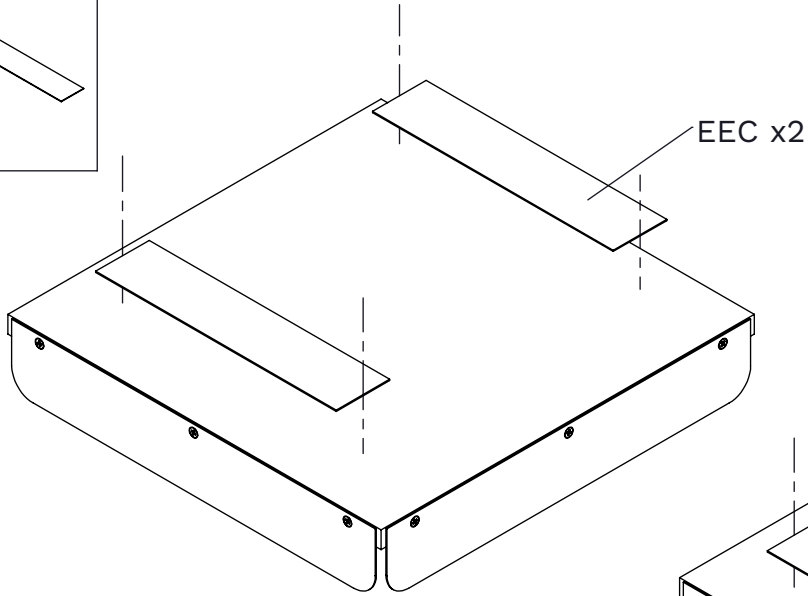
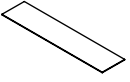


6



7

EEC x4



8

