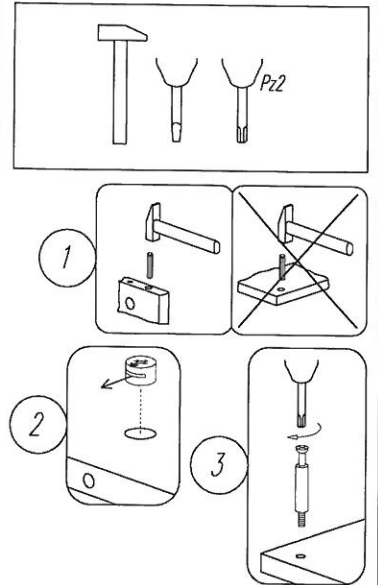
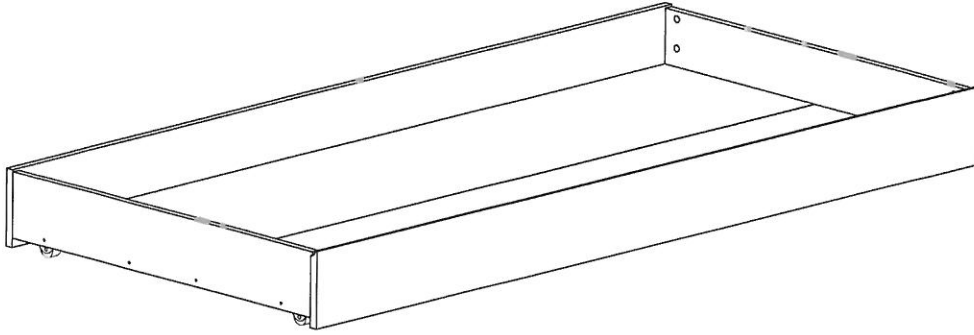


SZUFLADA MDF 200x90



- | | | | | | | | | |
|----------|----------|----------|----------|----------|----------|----------|-------------|----|
| A | B | C | E | F | G | H | I | |
| | | | | | | | | |
| ∅10x50 | ∅8x40 | ∅8x50 | ST/L=34 | #15 | ∅3,5x30 | ∅4,0x16 | ∅J-12(d) X7 | x1 |
| x4 | x28 | x8 | x14 | x14 | x12 | x14 | | |

DRAWER 200-PL 1/2017

ROBIN 2 DRAWER 200

