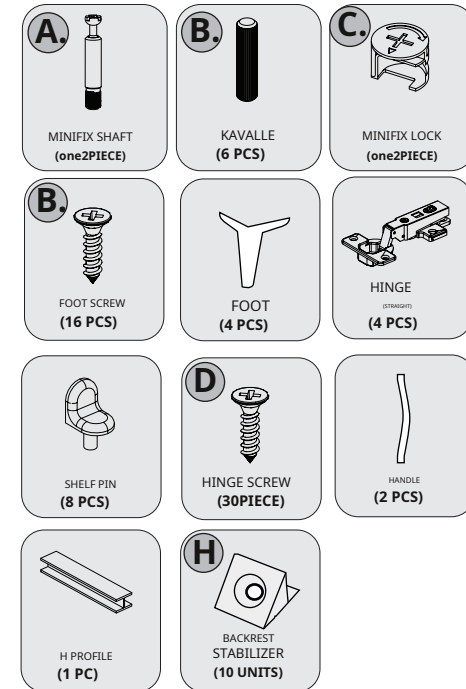
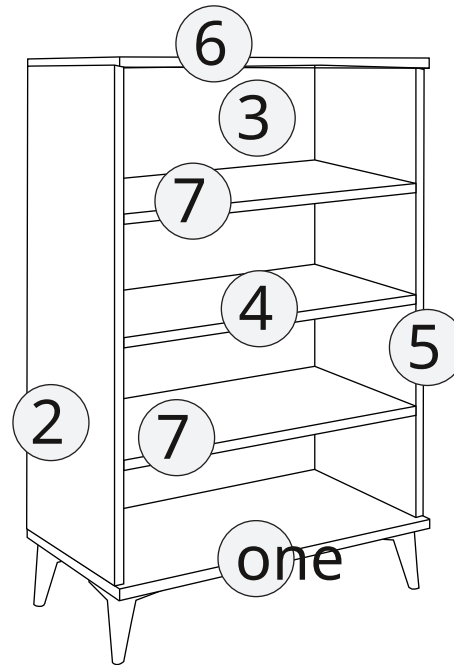
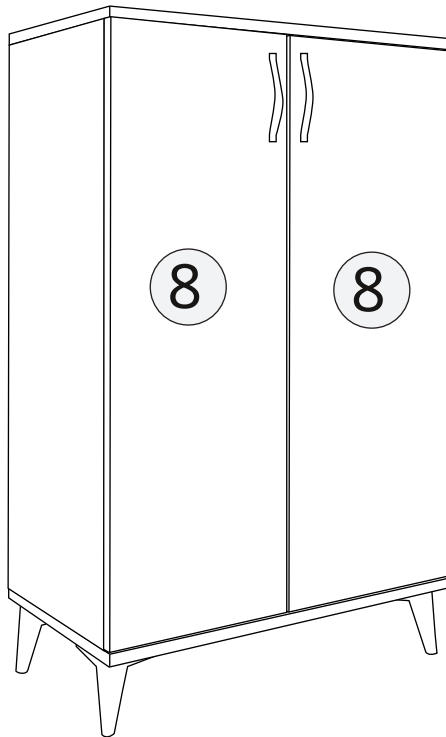


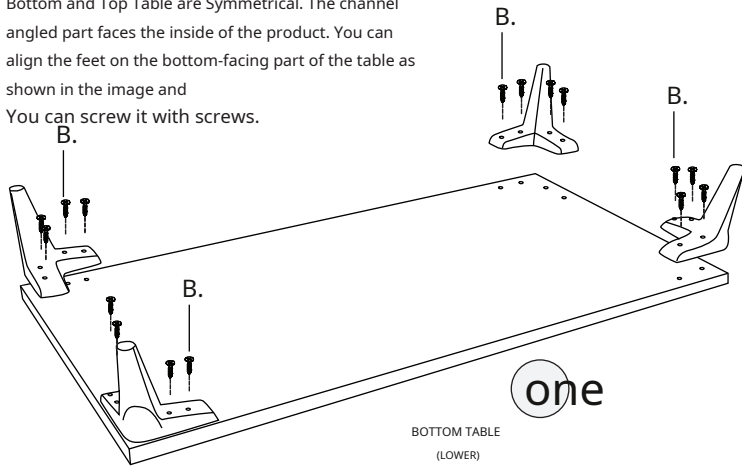
Small - Shorty - Onyx - Bengal - Minus

CODE	TRACK NAME	PIECE
1	Bottom Table	one
2	Left Body	one
3	Backrest	2
4	Fixed Shelf	one
5	Right Torso	one
6	Top Table	one
7	Mobile Shelves	2
8	Right and Left Covers	2



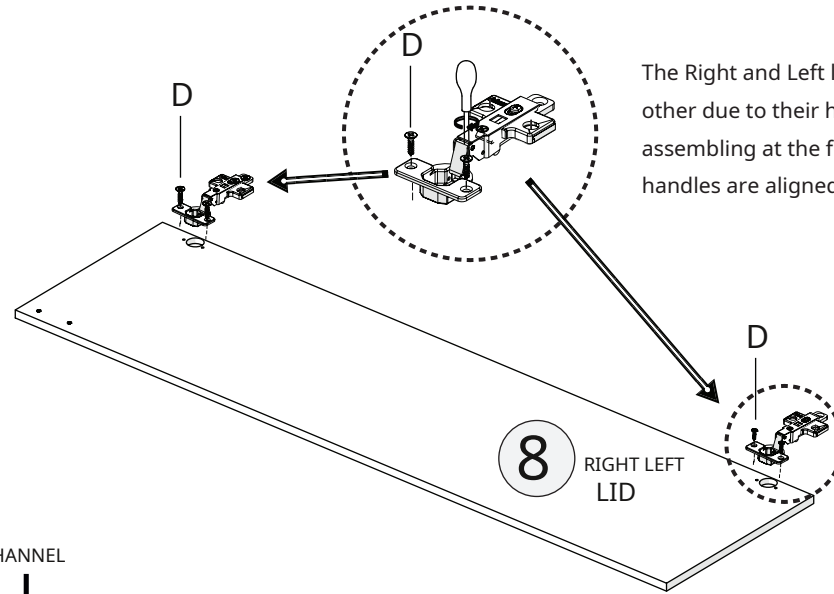
Our relevant product includes 1 fixed shelf and 2 mobile shelves. Additional holes are drilled on the Left and Right body for mobile shelves. You can move these shelves up or down depending on your product placement. In order to ensure a long life of the product, please do not forget to install the Backrest Fixation devices after the installation is completed. All of our products are made of MDF material. Please contact us first if you are stuck at any stage. www.babydarling.com.tr

Bottom and Top Table are Symmetrical. The channel angled part faces the inside of the product. You can align the feet on the bottom-facing part of the table as shown in the image and You can screw it with screws.



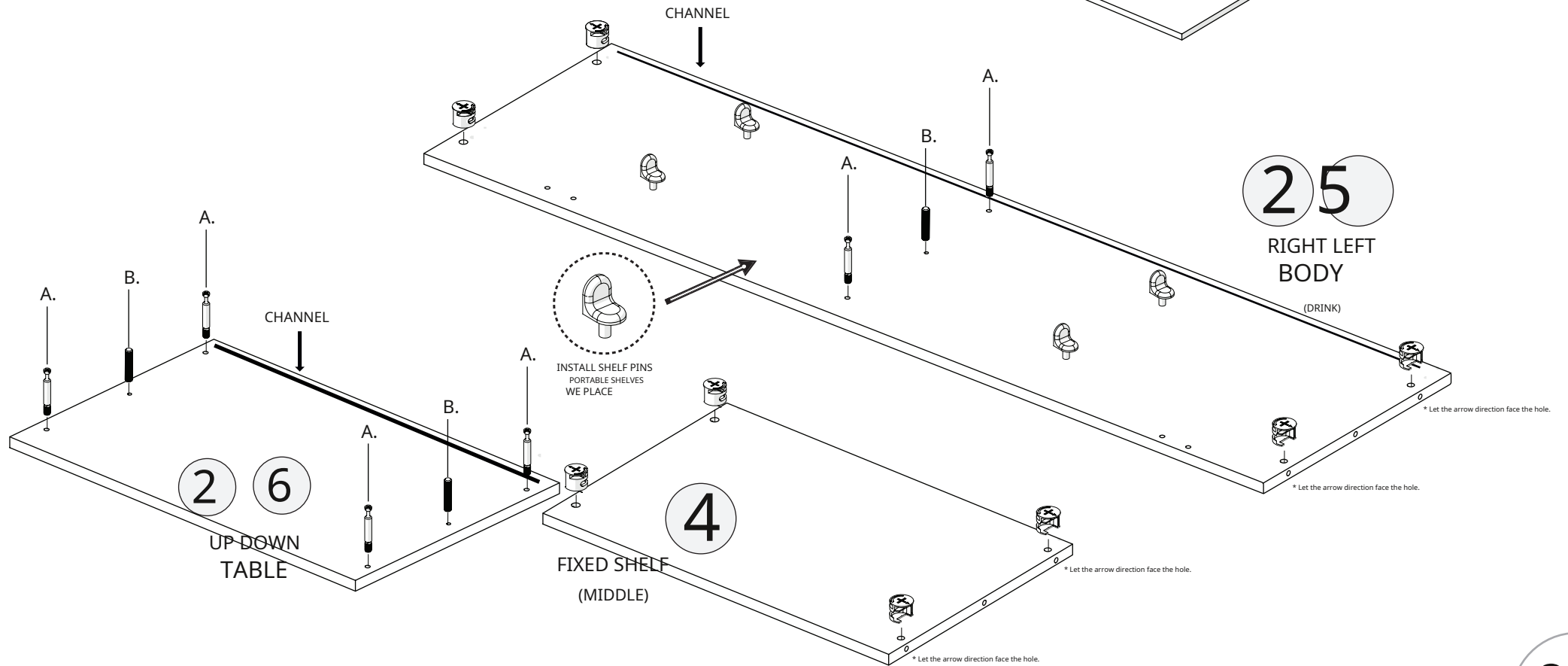
BOTTOM TABLE
(LOWER)

one



The Right and Left lids are different from each other due to their handle locations. When assembling at the final stage, make sure that the handles are aligned with the top of the cabinet.

8 RIGHT LEFT LID



25 RIGHT LEFT BODY
(DRINK)

2 6 UP-DOWN TABLE

4 FIXED SHELF
(MIDDLE)

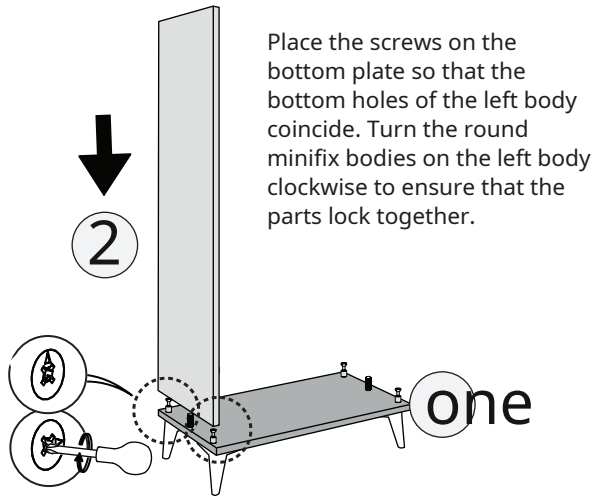
INSTALL SHELF PINS
PORTABLE SHELVES
WE PLACE

* Let the arrow direction face the hole.

* Let the arrow direction face the hole.

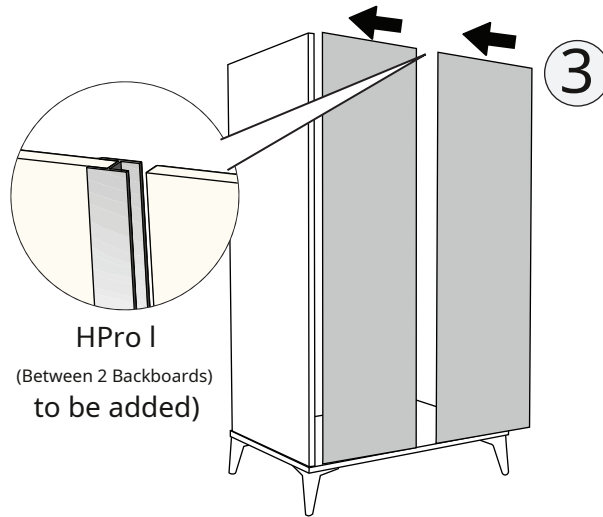
* Let the arrow direction face the hole.

* Let the arrow direction face the hole.

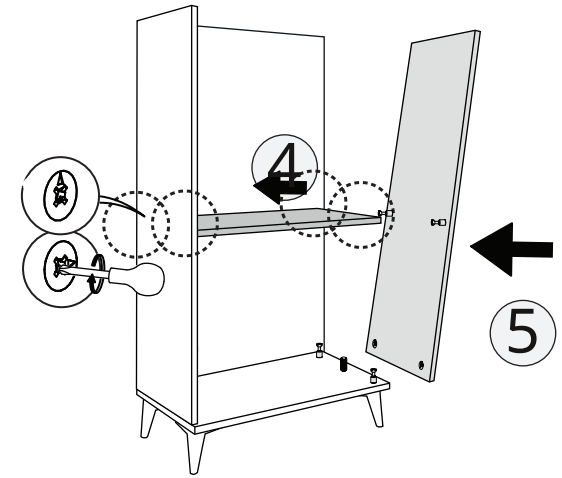


Place the screws on the bottom plate so that the bottom holes of the left body coincide. Turn the round minifix bodies on the left body clockwise to ensure that the parts lock together.

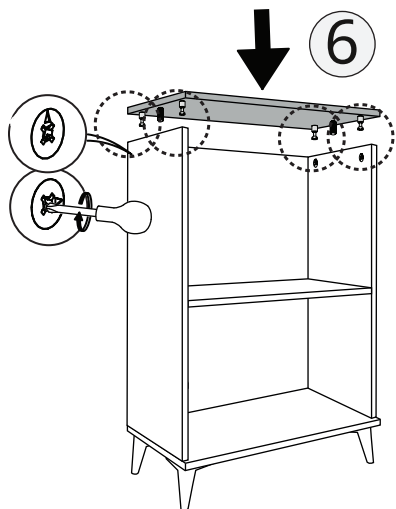
To ensure that the backrests are one piece, use thin plastic material with channel angles on both sides, as shown in the picture. Place the backrest into the channel of the left body and bottom table.



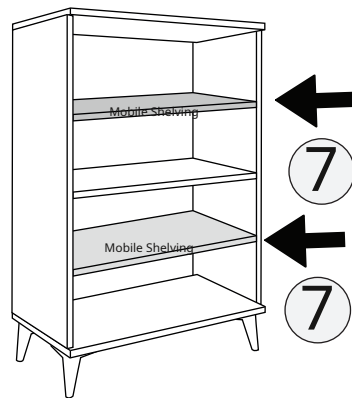
Repeat the system we applied on the left body for the right body. However, do not squeeze the round minifix bodies. In this way, in order to install the fixed shelf in the middle, the body must be removed. You can make it stretch. Attach the fixed shelf with holes on the sides to the fixed left body, then place the right body towards the shelf, matching the holes. Turn all minifix bodies clockwise to lock the system.



Insert the top plate, where you previously placed the screws, into the holes on the Right and Left Body, as shown in the picture. Ensure that the Minifix bodies are locked. Make sure that the backrests match the channel.

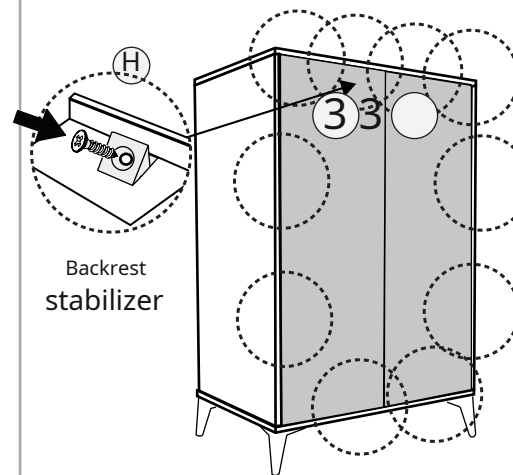


Insert the shelf pins into the holes on the bodies. Putting mobile shelves on pins you can use



ATTENTION Important Step

After the product installation is completed, the product must be used securely without shaking. Do not support the product in a crooked or tilted manner. Meanwhile, squeeze it in between as shown in the image and push it fully into the channel. We recommend that you install 5-6 fixing brackets.



In order to know, if the backrest is not fixed to the body, use your hand to fix the backrest affixing device properly and insert the screw through the hole in the backrest. Least

