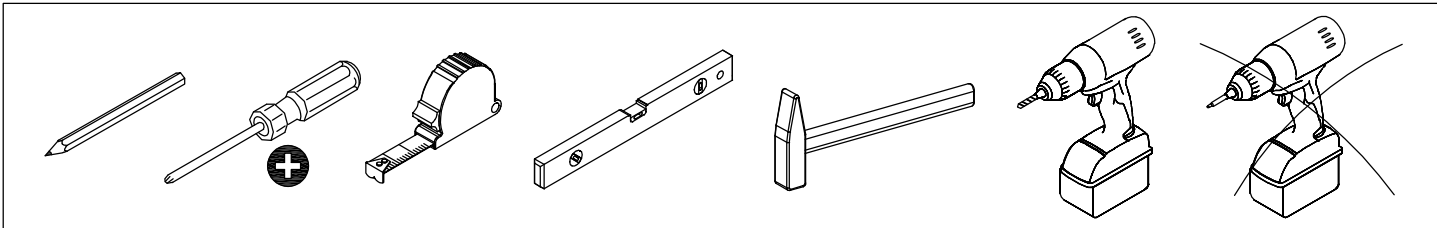
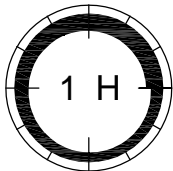
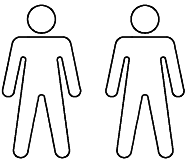
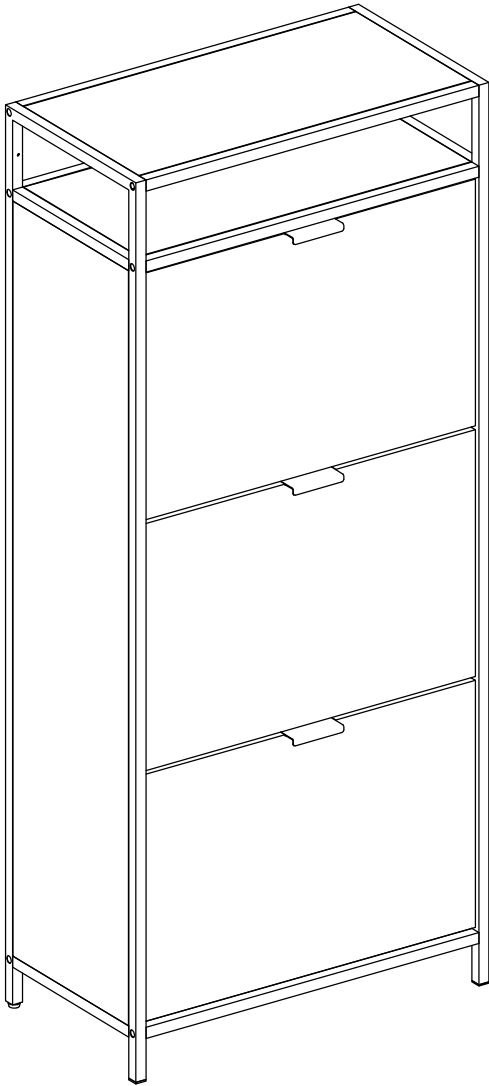
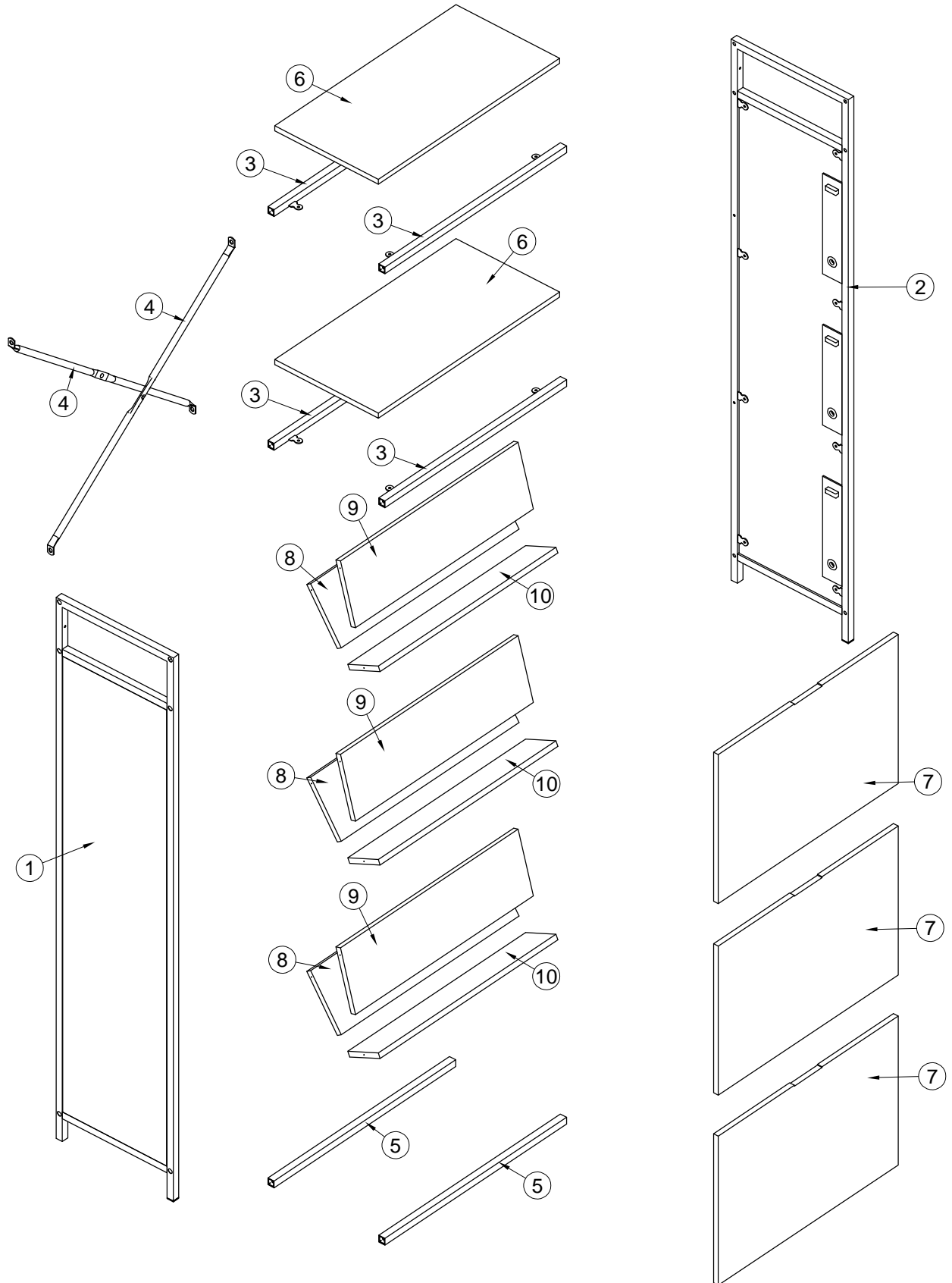


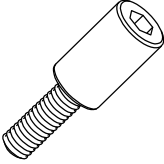

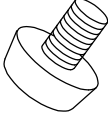
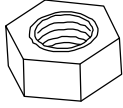
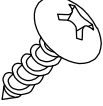


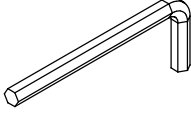
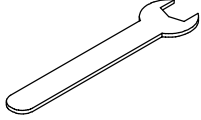
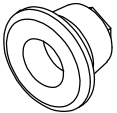
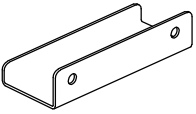
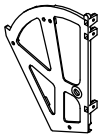
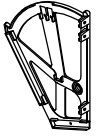
SEAFORD



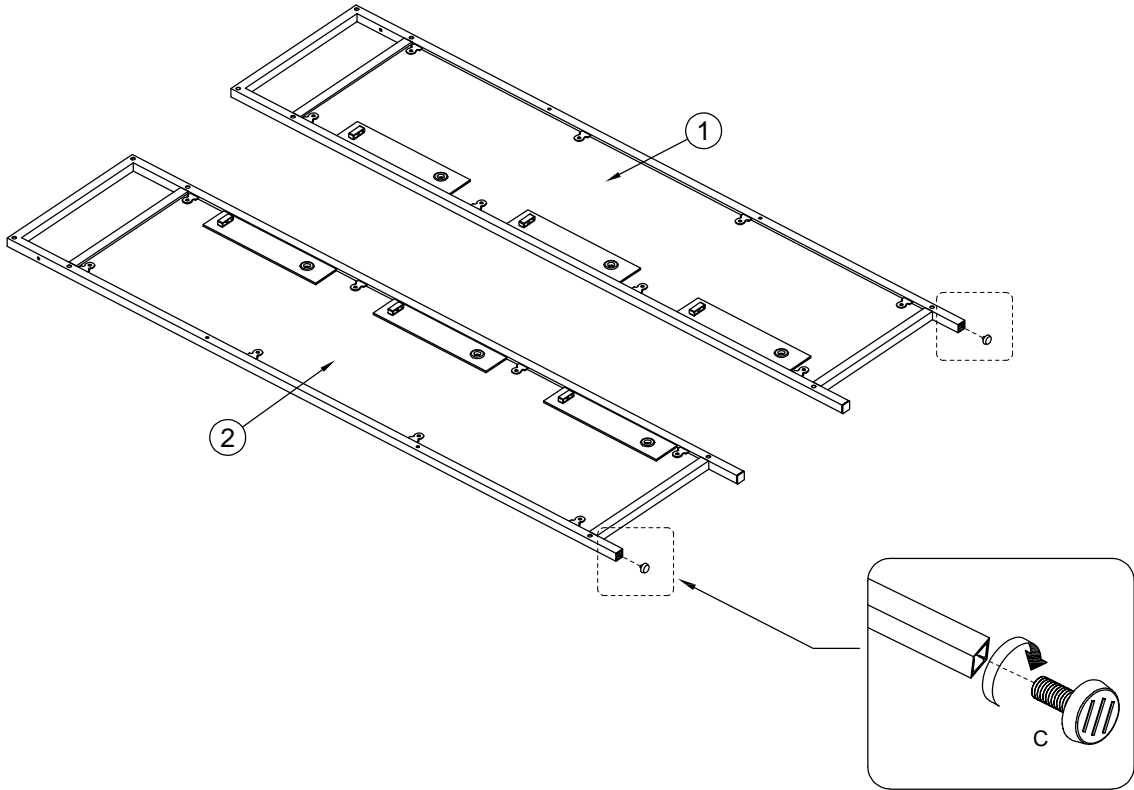
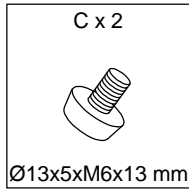
			✓
①	1	1292x300x23	
②	1	1292x300x23	
③	4	528x41x16	
④	2	703x24x15	
⑤	2	528x16x16	

			✓
⑥	2	527x267x12	
⑦	3	523x354x12	
⑧	3	517x139x12	
⑨	3	517x145x12	
⑩	3	517x85x12	

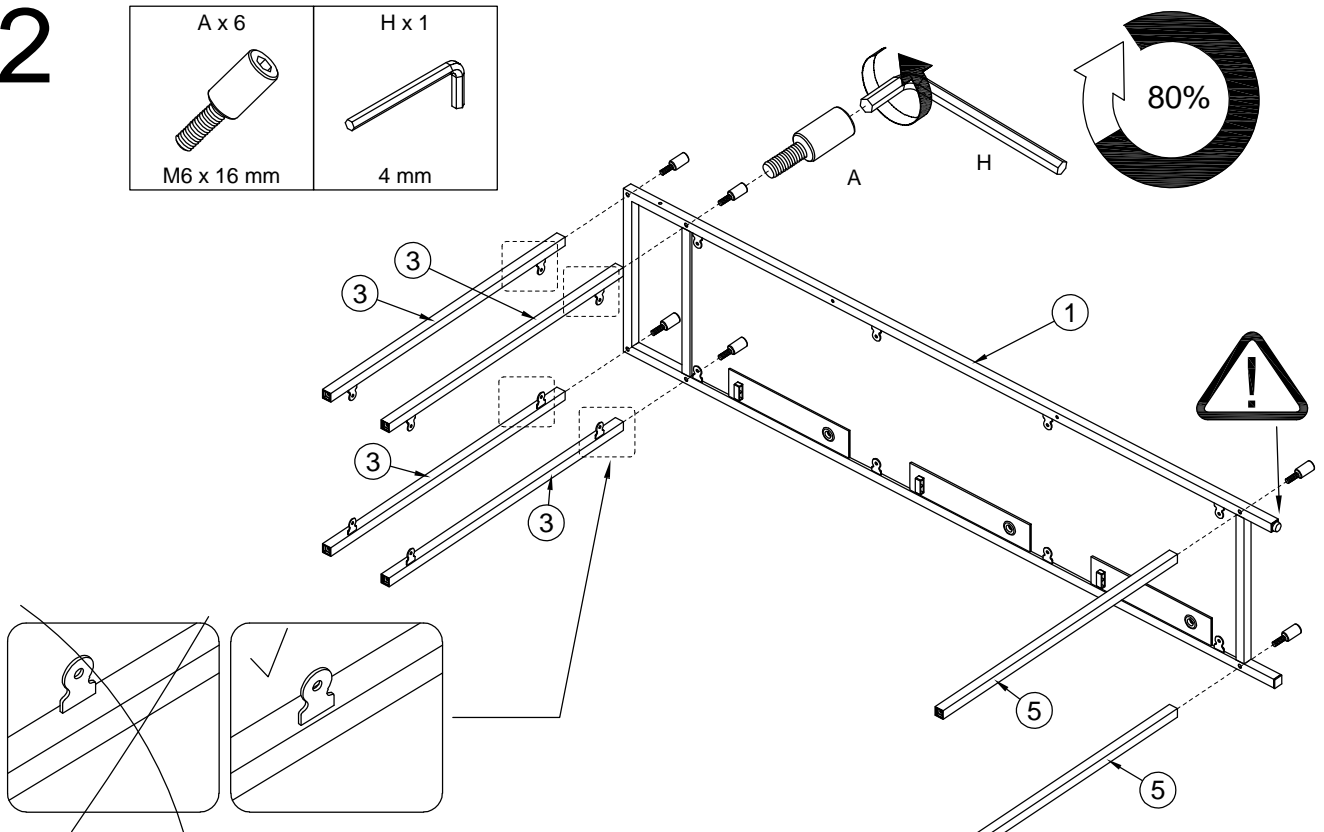
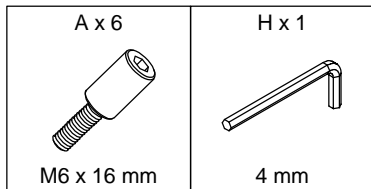


<p>A x 12</p>  <p>M6 x 16 mm</p>	<p>B x 5</p>  <p>M6 x 15 mm</p>	<p>C x 2</p>  <p>Ø13x5xM6x13 mm</p>	<p>D x 1</p>  <p>M6/10 mm</p>	<p>E x 8</p>  <p>Ø4 x 12 mm</p>
<p>F x 6</p>  <p>Ø3.5 x 12 mm</p>	<p>G x 42</p>  <p>Ø4 x 12 mm</p>	<p>H x 1</p>  <p>4 mm</p>	<p>J x 1</p>  <p>10mm</p>	<p>K x 6</p>  <p>Ø19 x 12 mm</p>
<p>L x 3</p>  <p>80 x 32 x 18 mm</p>	<p>M x 3</p>  <p>292 x 197 x 24 mm</p>	<p>N x 3</p>  <p>292 x 197 x 24 mm</p>		

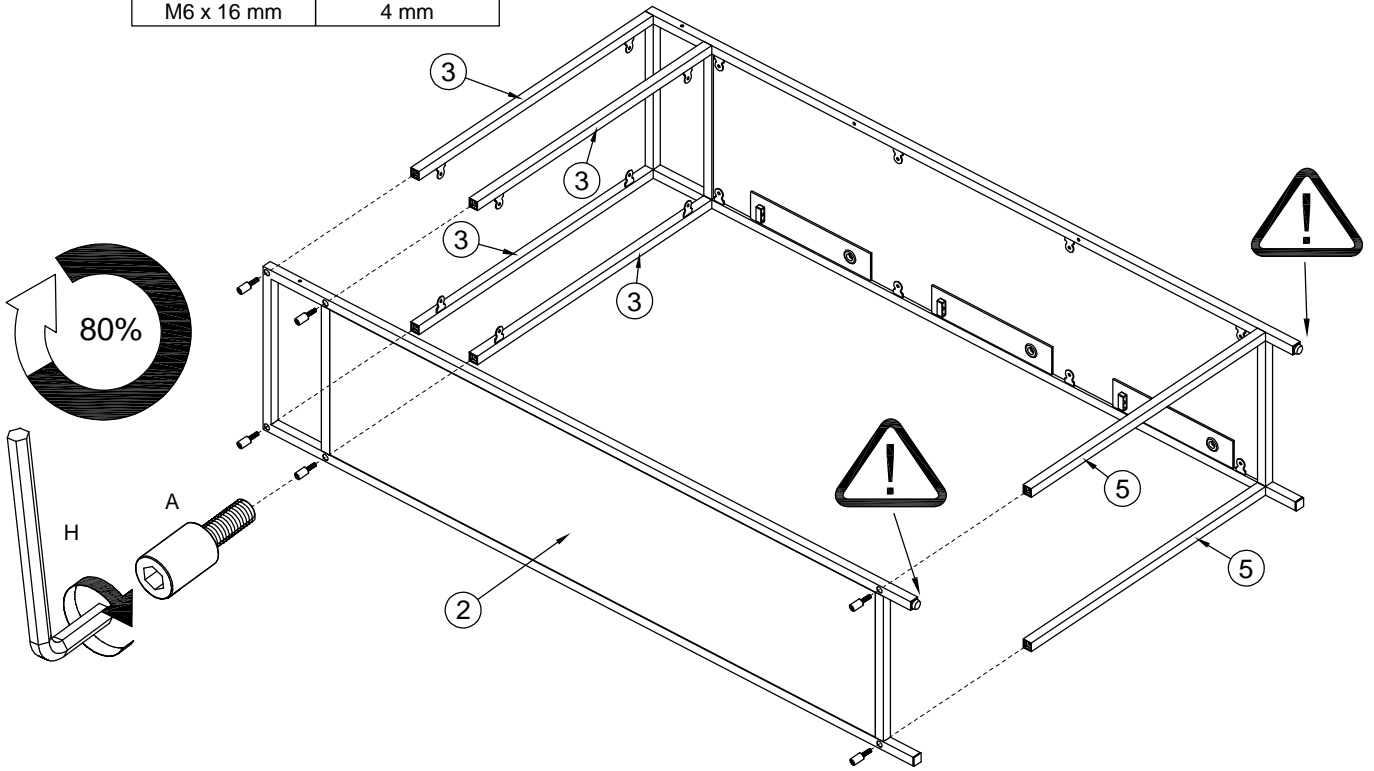
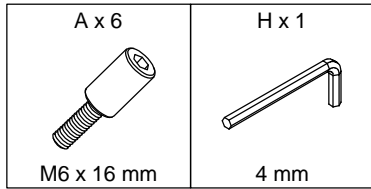
1



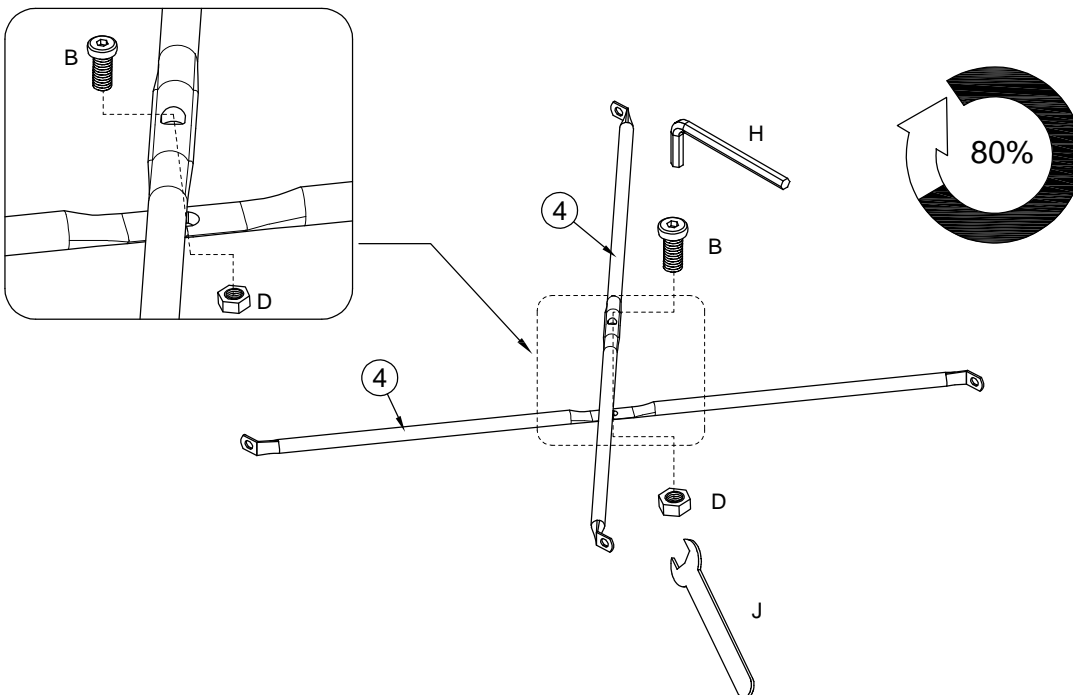
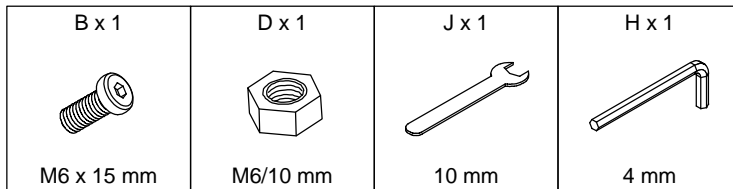
2



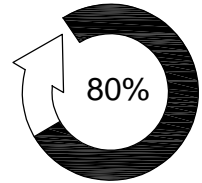
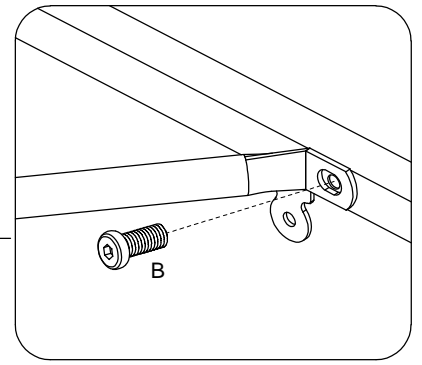
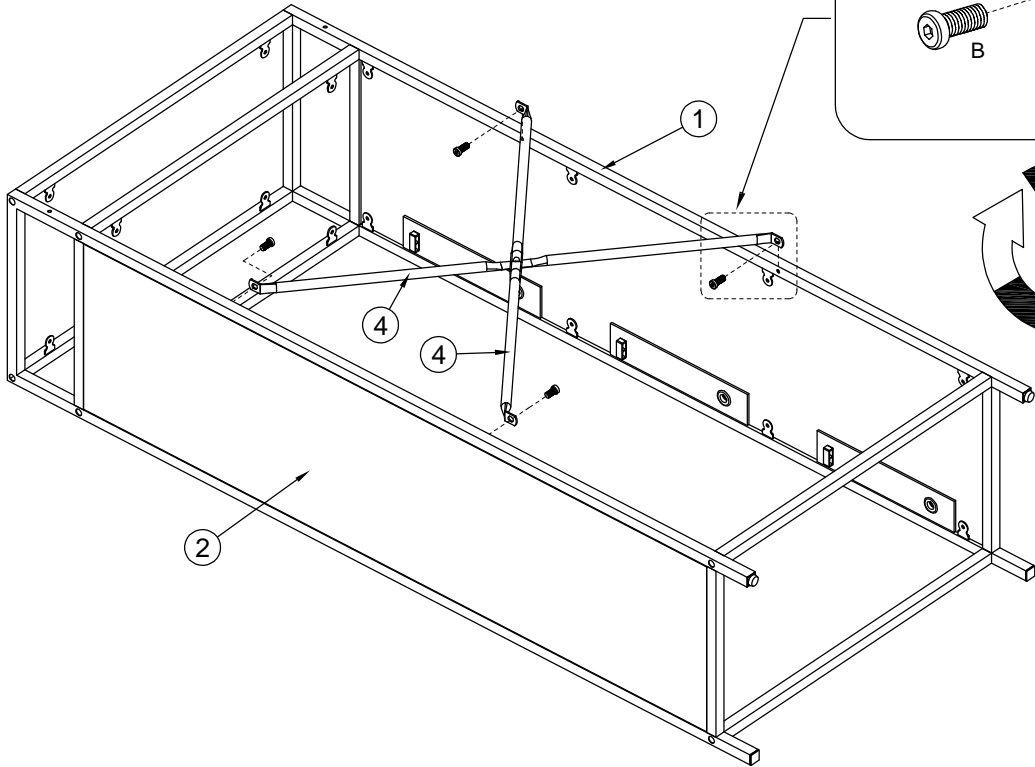
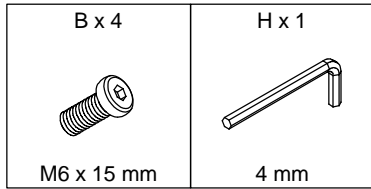
3



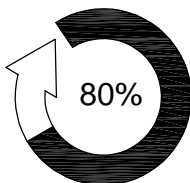
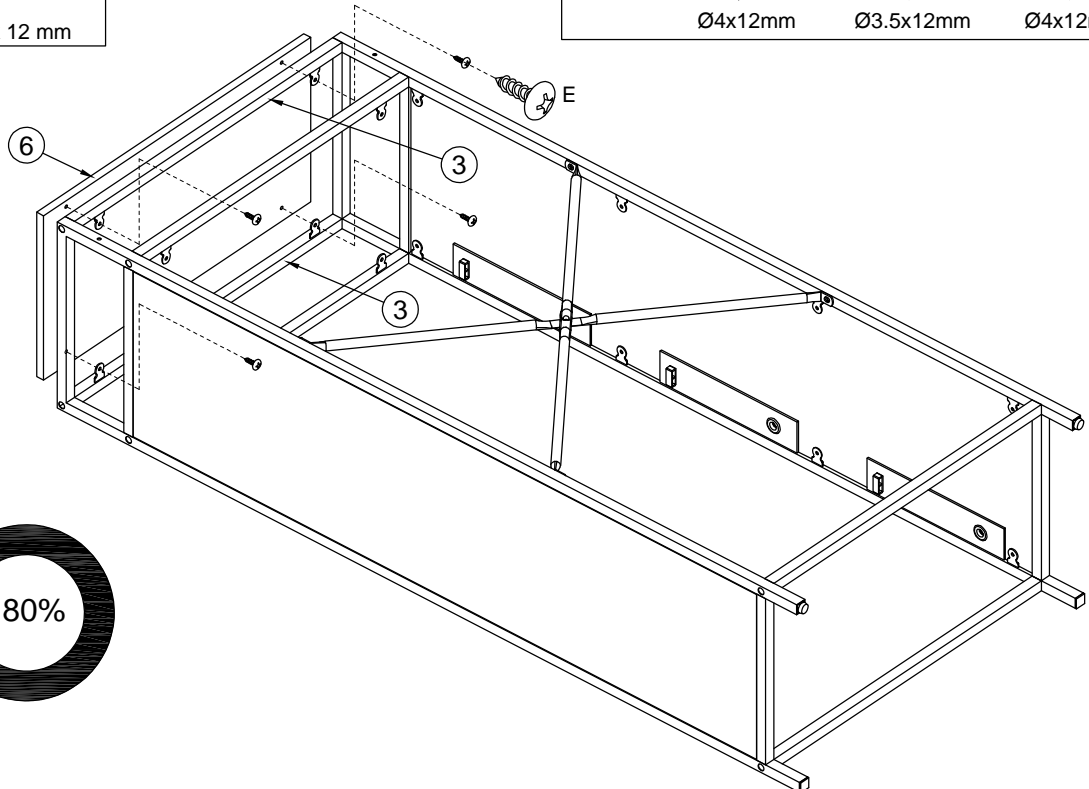
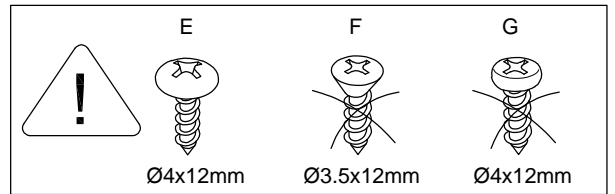
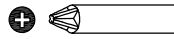
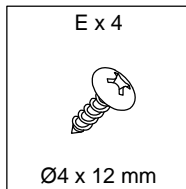
4



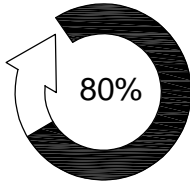
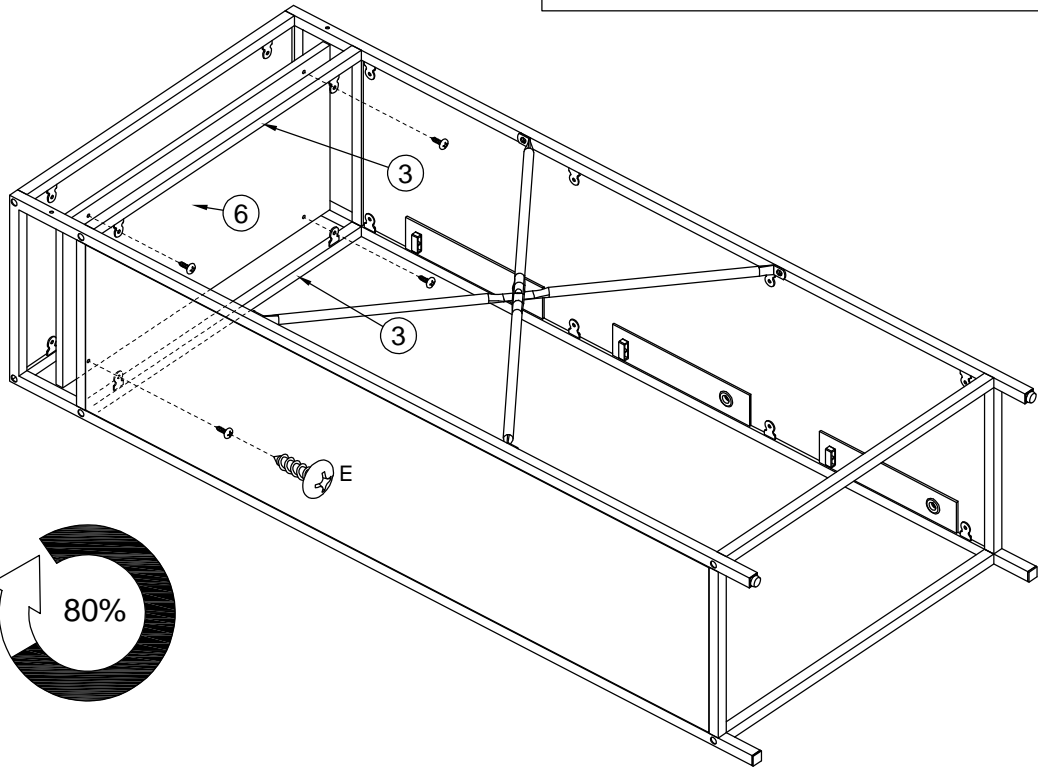
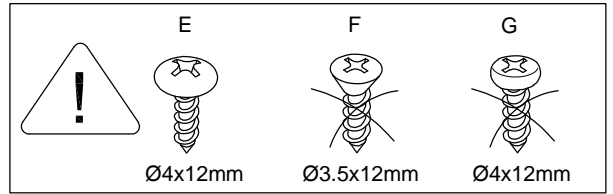
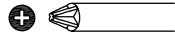
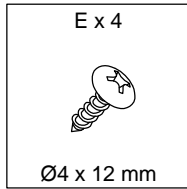
5



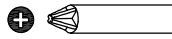
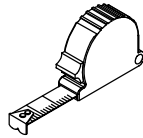
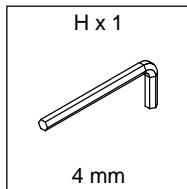
6



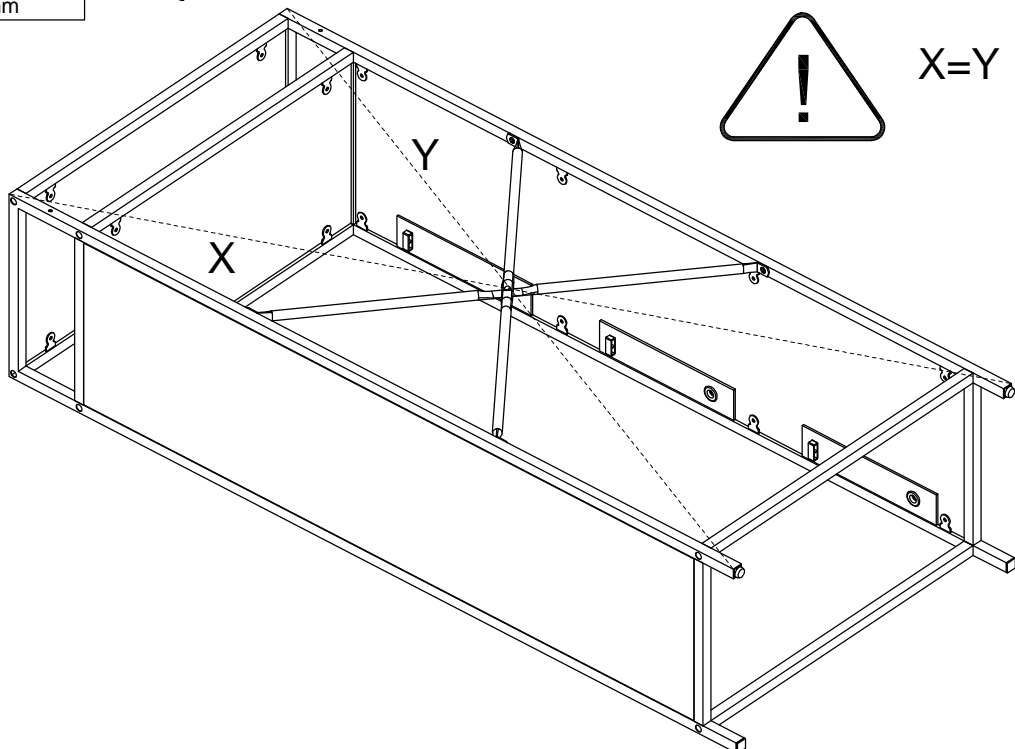
7



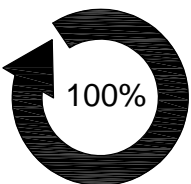
8




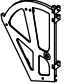
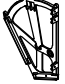
X=Y

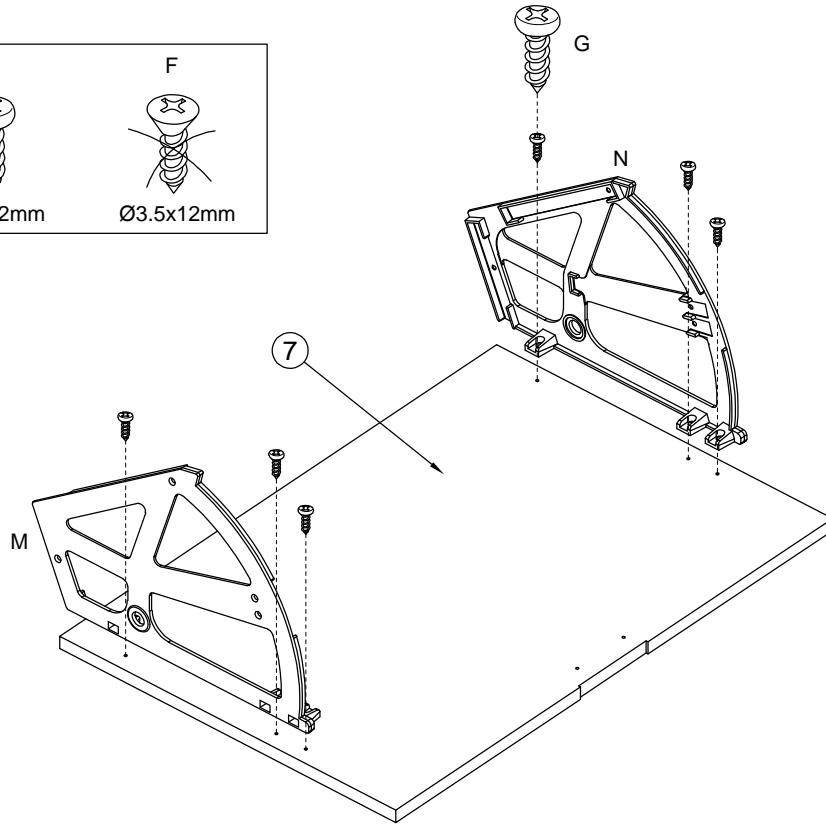
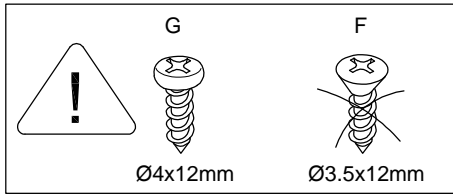
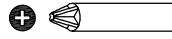


A x 12
B x 5
E x 8




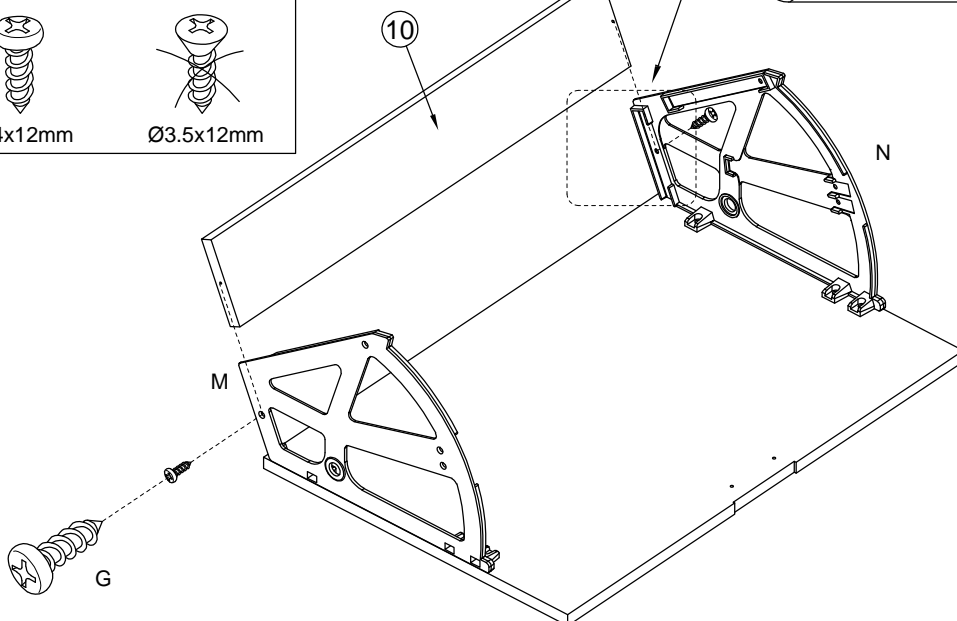
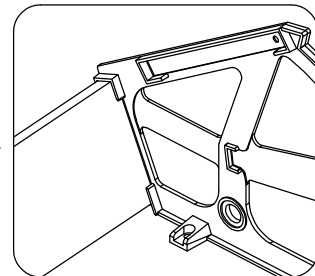
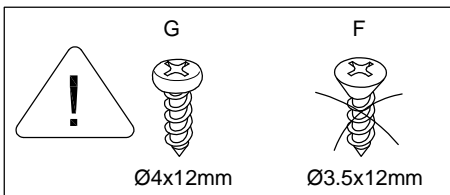
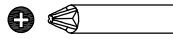
9

G x 18  Ø4 x 12 mm	M x 3  292 x 197 x 24 mm	N x 3  292 x 197 x 24 mm
---	---	---

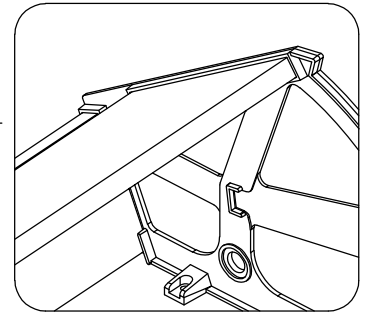
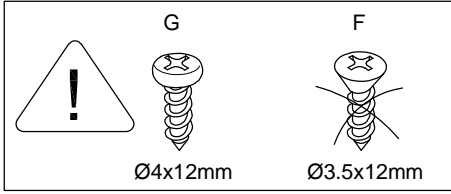
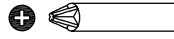
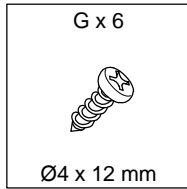


10

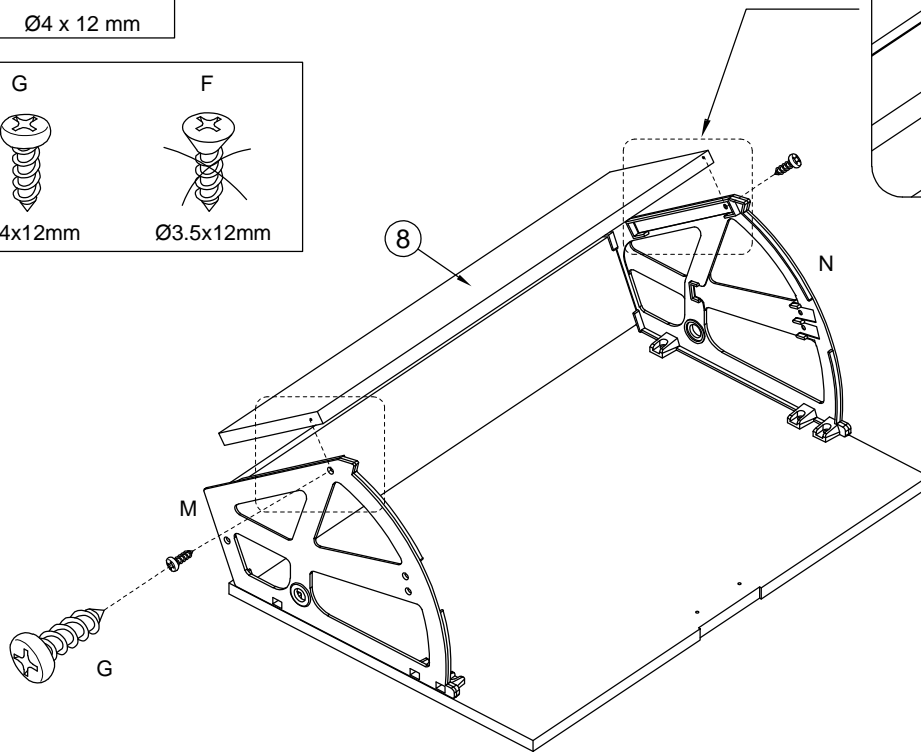
G x 6  Ø4 x 12 mm
--



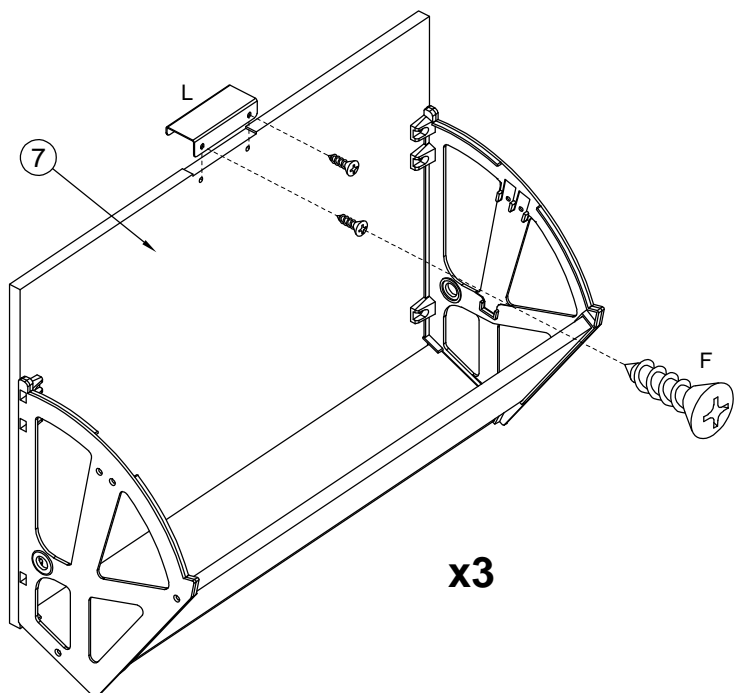
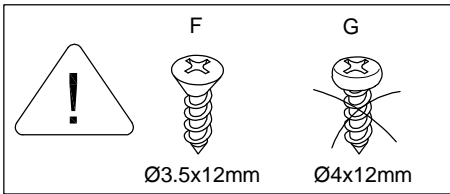
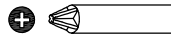
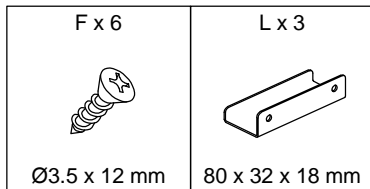
11



x3

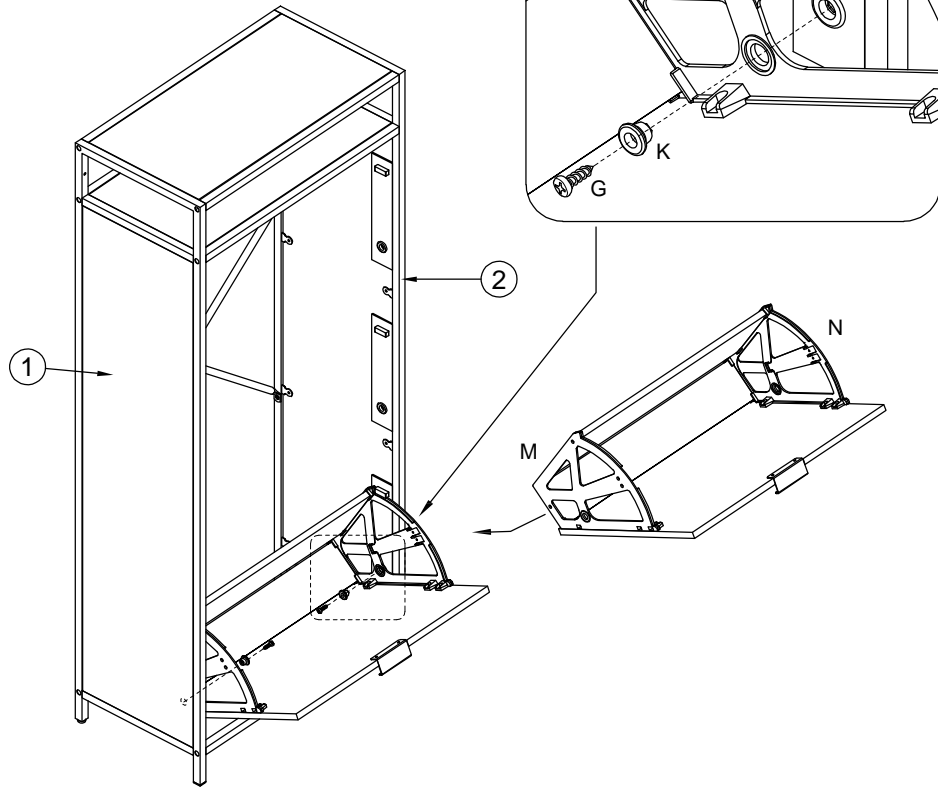
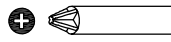
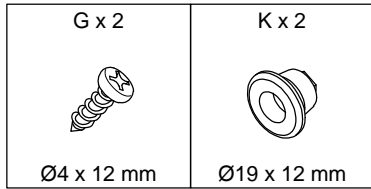


12

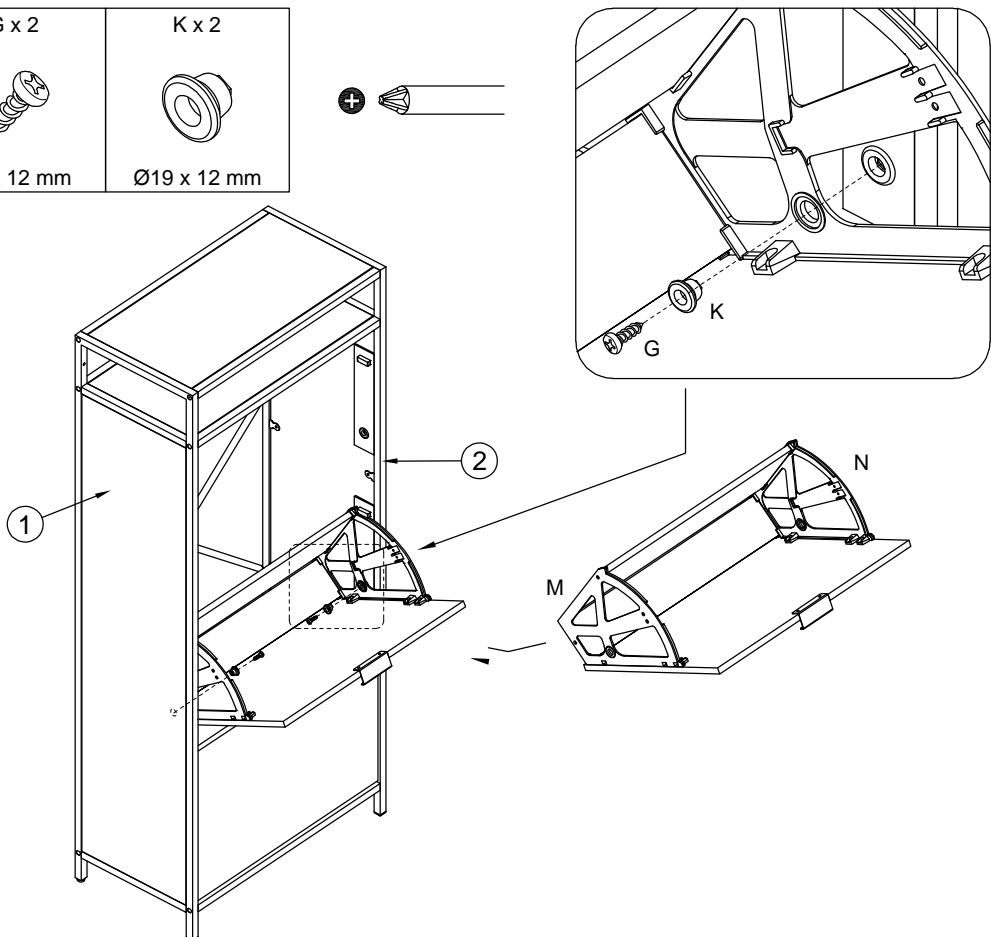
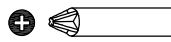
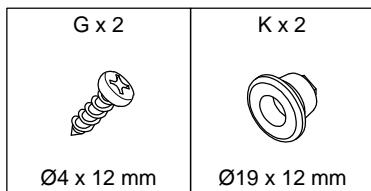


x3

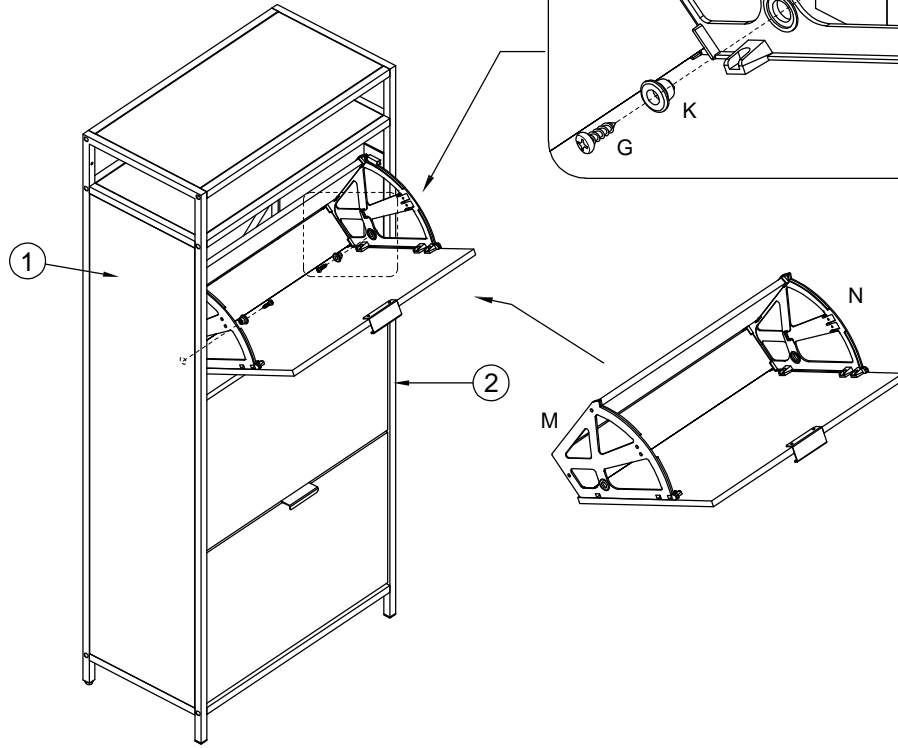
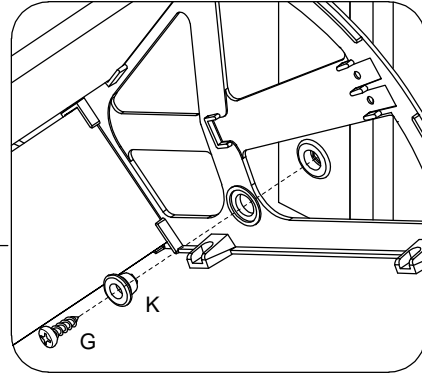
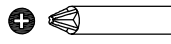
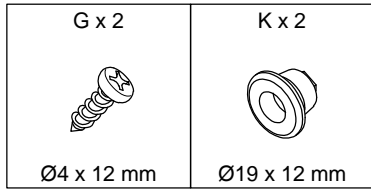
13



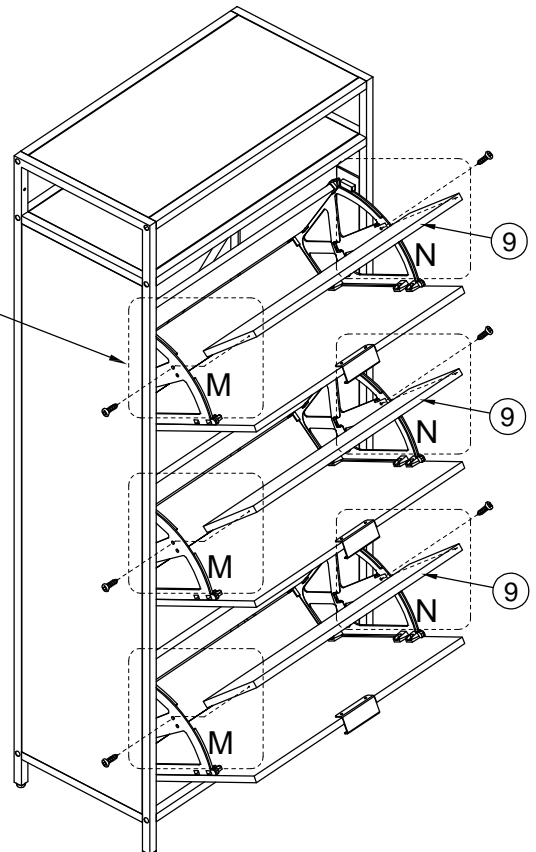
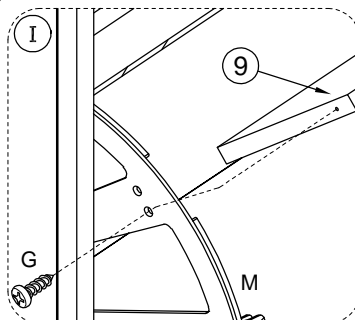
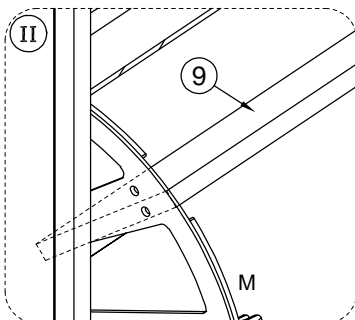
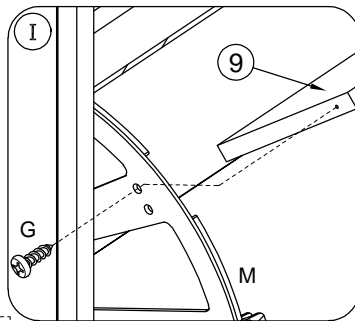
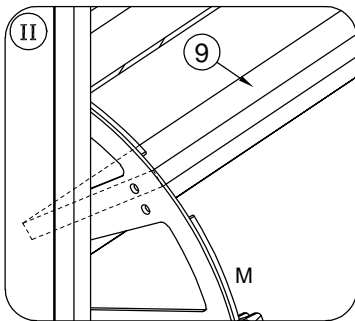
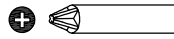
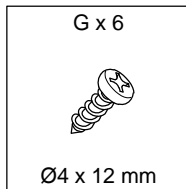
14



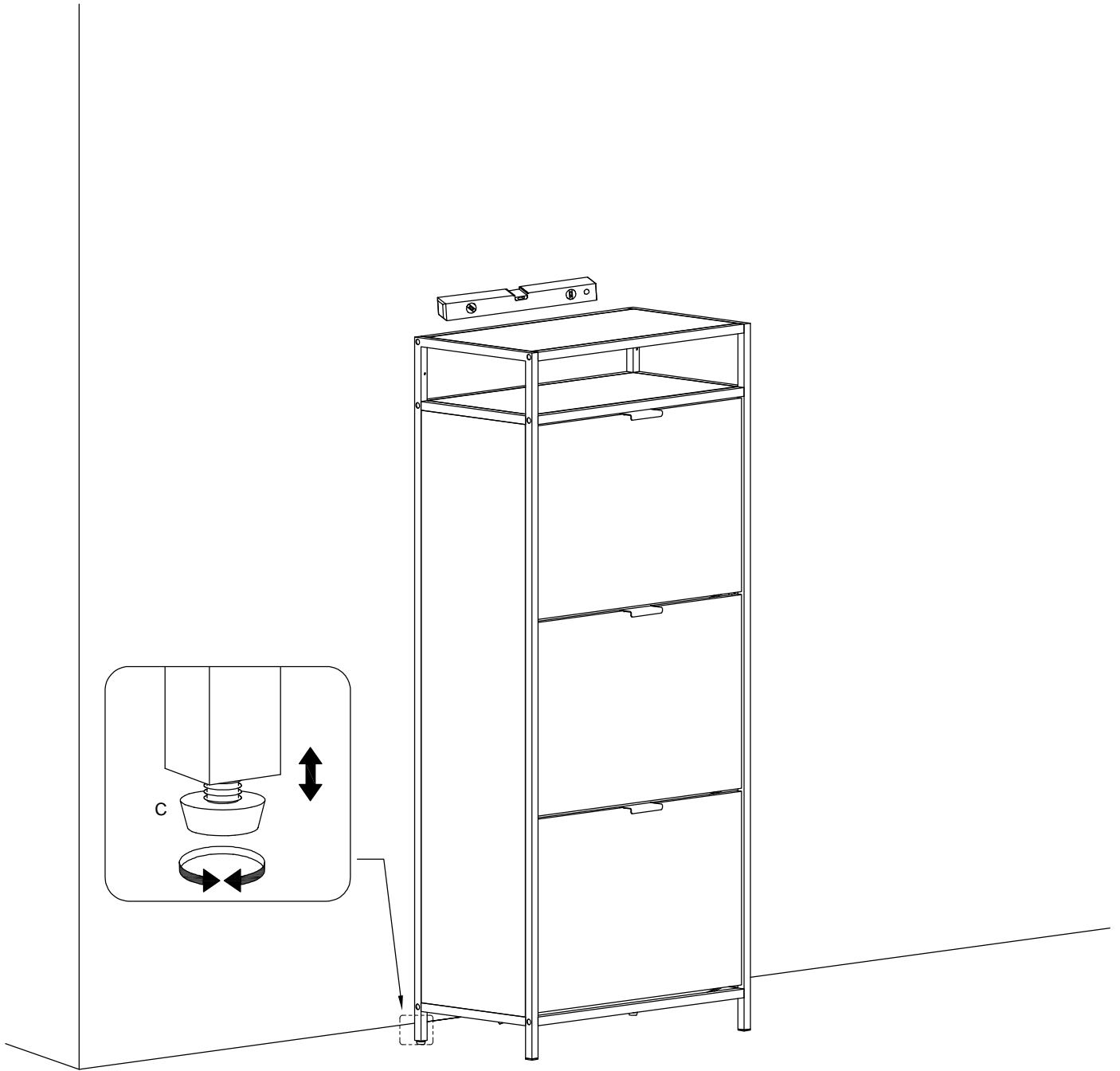
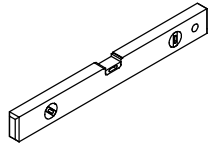
15



16



17



18

