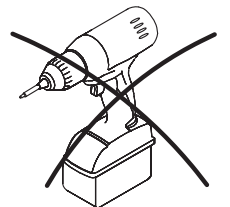
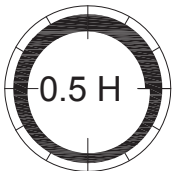
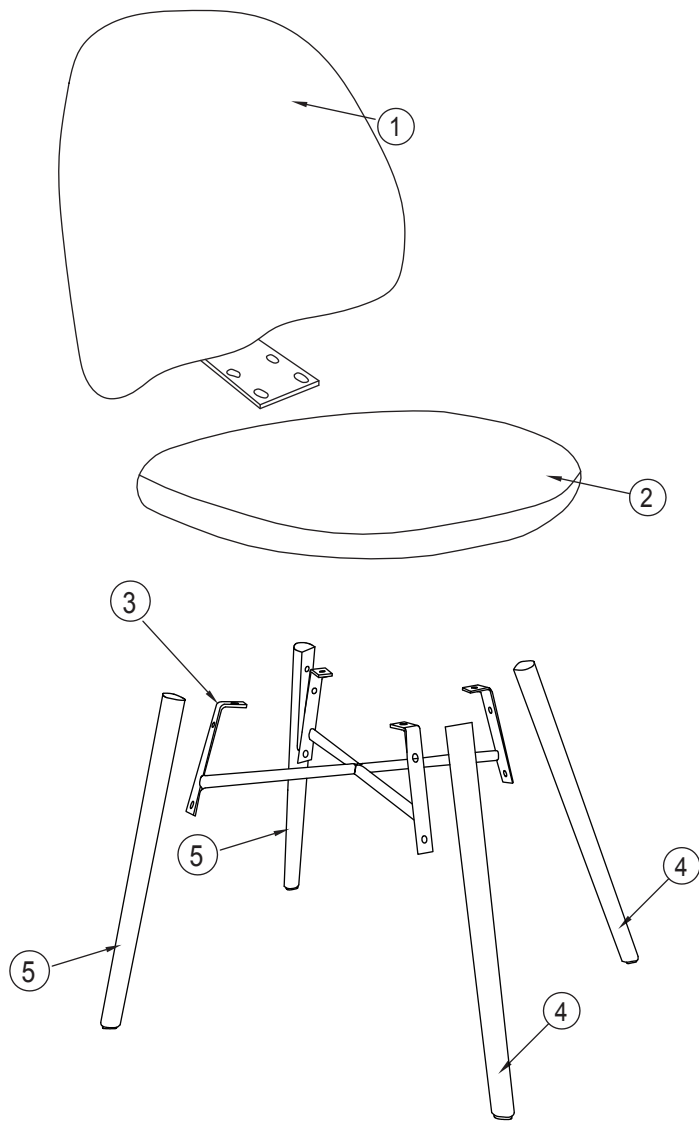
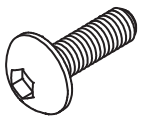
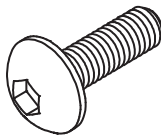
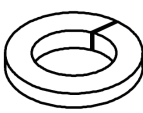
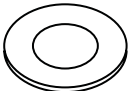
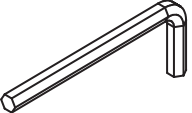
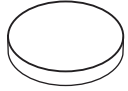


SOPHIA

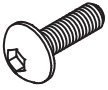




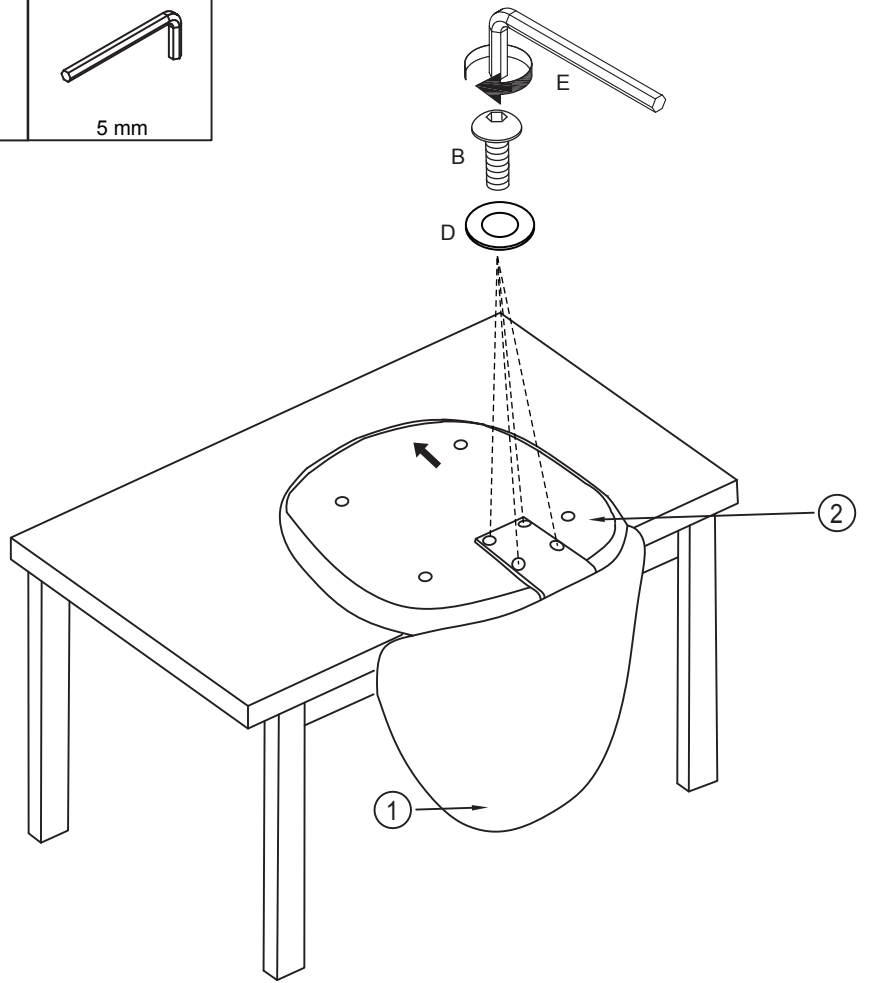
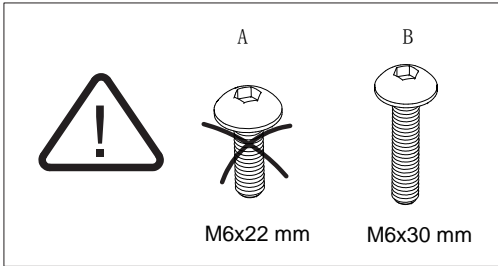
			✓
①	1	460×450×150	
②	1	460×450×75	
③	1	445×445×150	
④	2	30×23×440	
⑤	2	30×23×430	



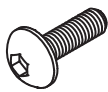



<p>A x 12</p>  <p>M6x22 mm</p>	<p>B x 4</p>  <p>M6x30 mm</p>	<p>C x 8</p>  <p>Φ6 mm</p>	<p>D x 16</p>  <p>Φ6/Φ18 mm</p>	<p>E x 1</p>  <p>5 mm</p>
<p>F x 4</p>  <p>Φ25x5 mm</p>				

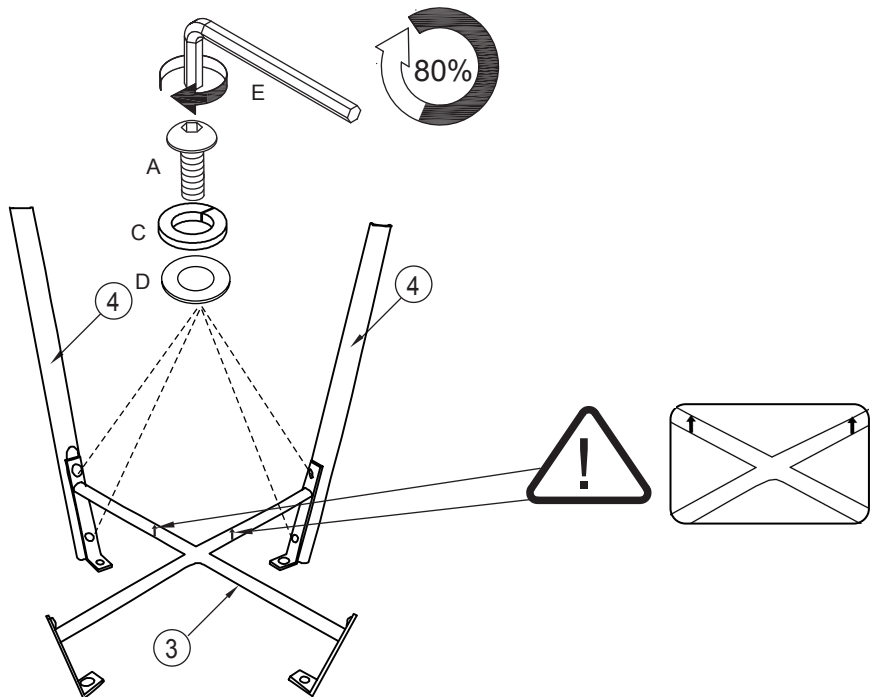
1

B x 4  M6x30 mm	D x 4  Φ6/Φ18 mm	E x 1  5 mm
--	---	--







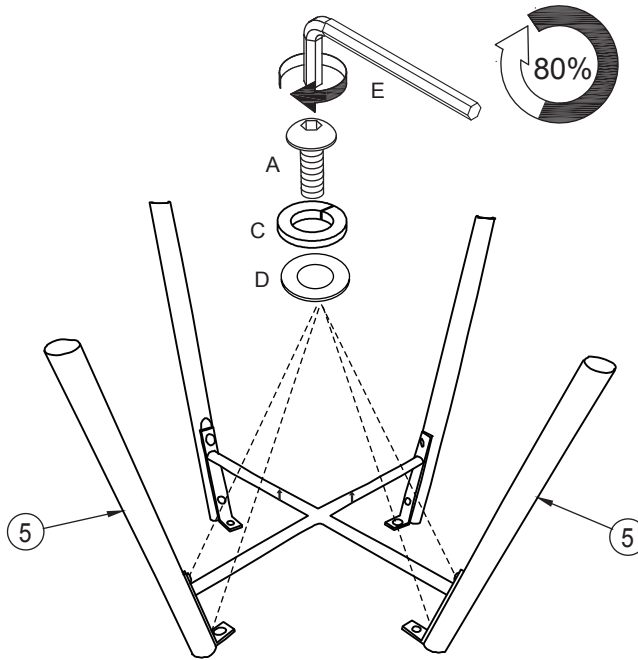
2

A x 4  M6x22 mm	C x 4  Φ6 mm	D x 4  Φ6/Φ18 mm	E x 1  5 mm
--	---	---	--






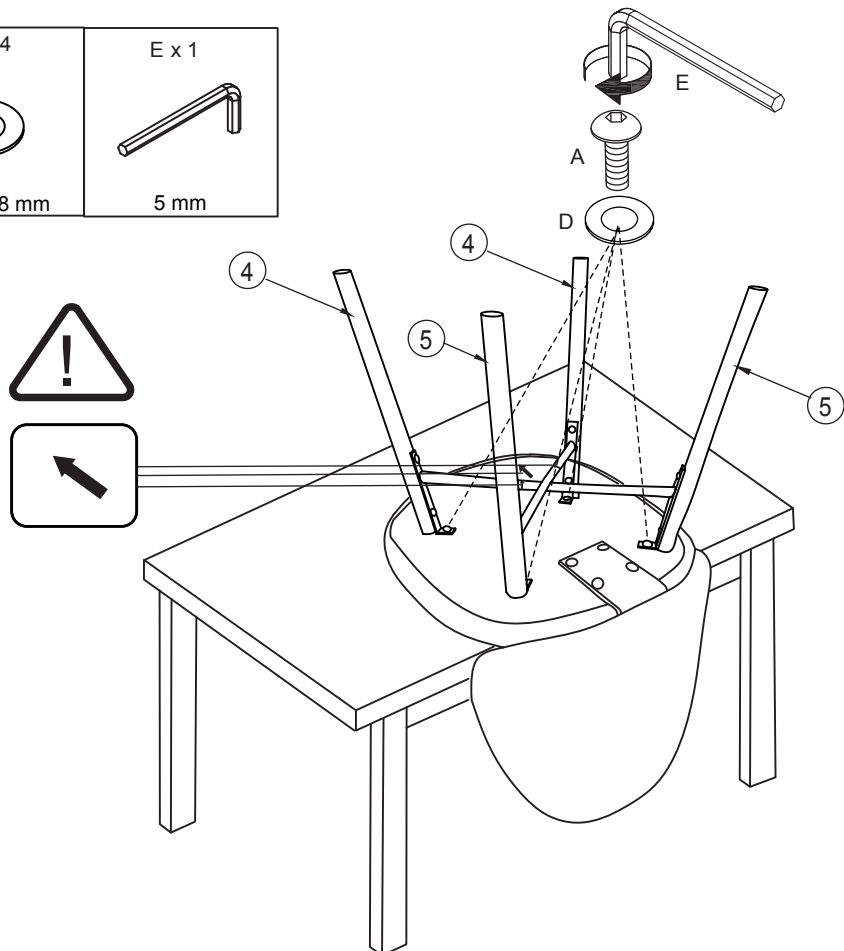
3

A x 4  M6x22 mm	C x 4  Φ6 mm	D x 4  Φ6/Φ18 mm	E x 1  5 mm
--	---	---	--

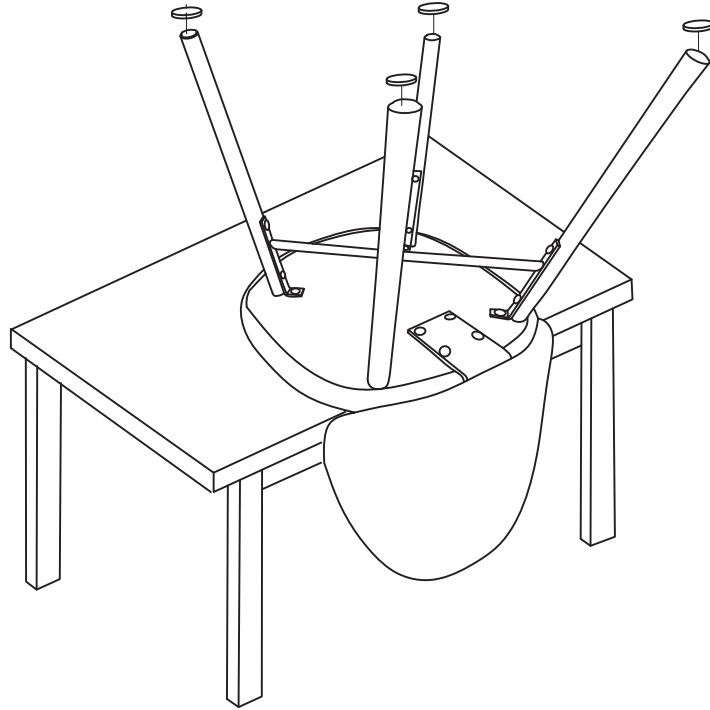
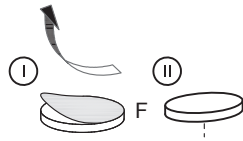
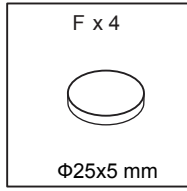


4

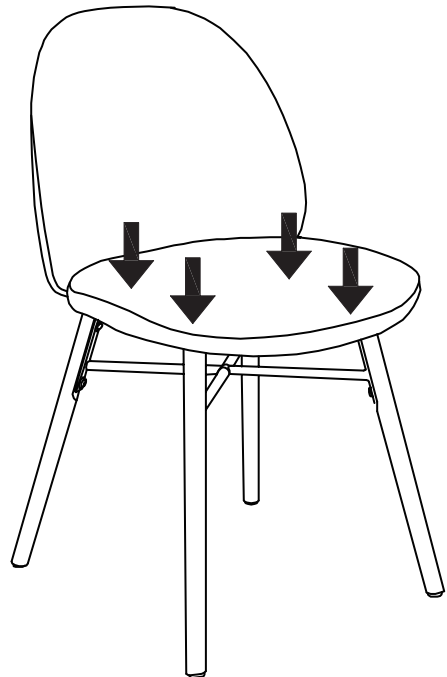
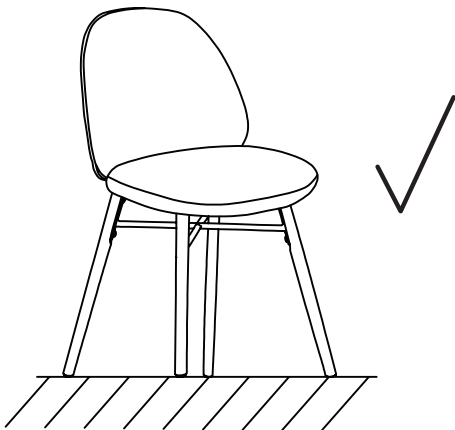
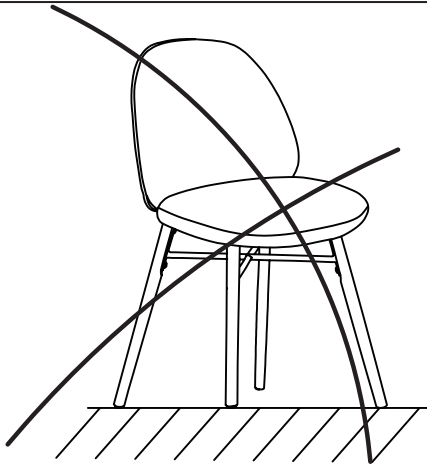
A x 4  M6x22 mm	D x 4  Φ6/Φ18 mm	E x 1  5 mm
--	---	--



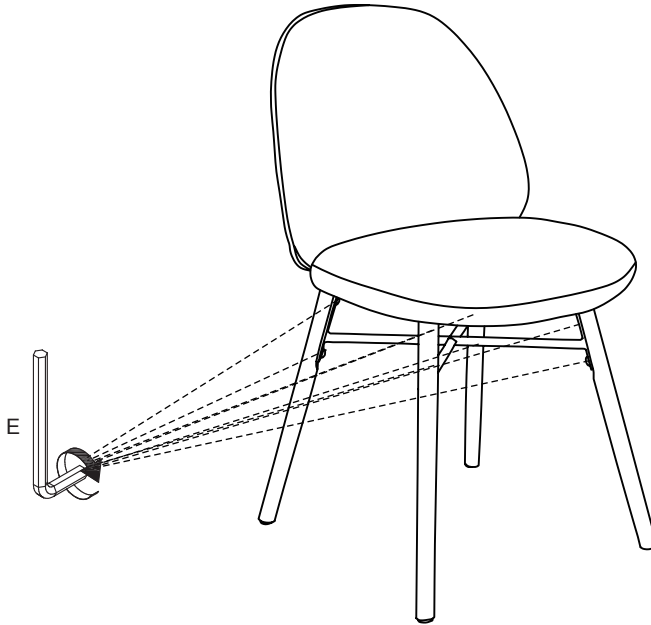
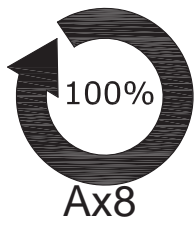
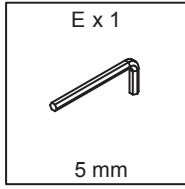
5



6



7



8

