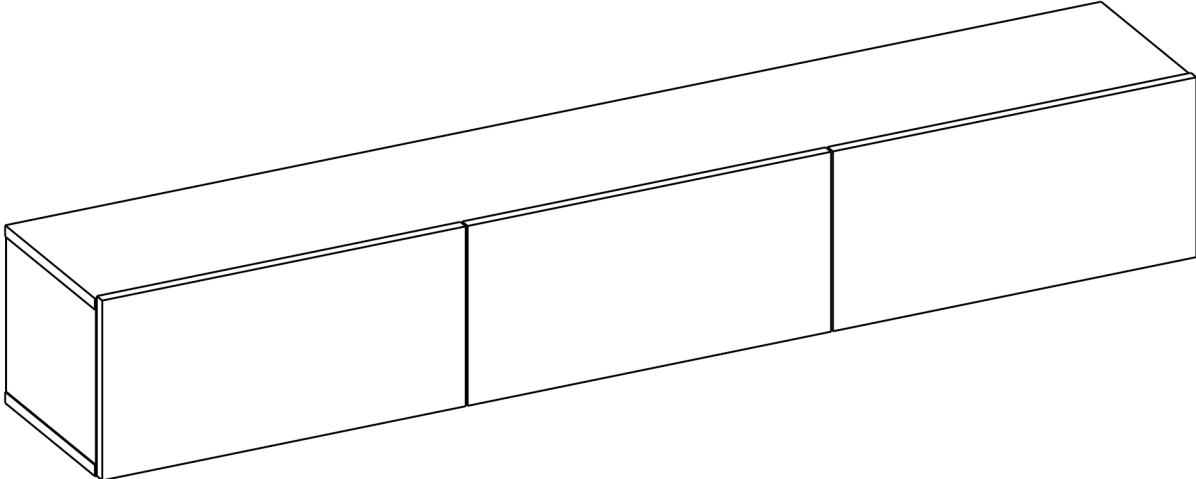


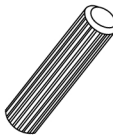
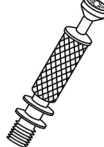



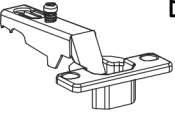
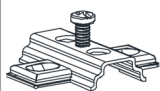
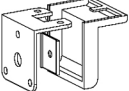

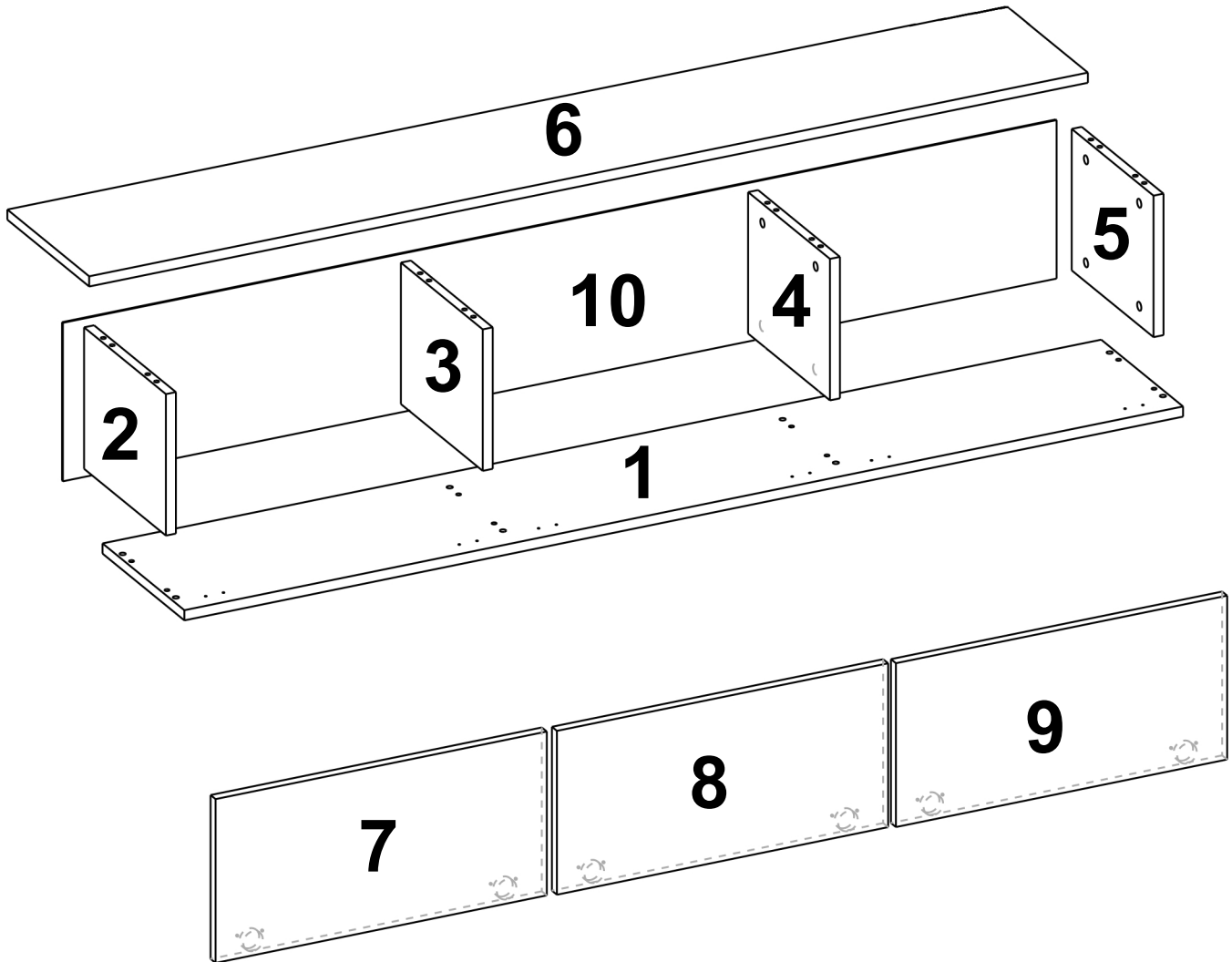
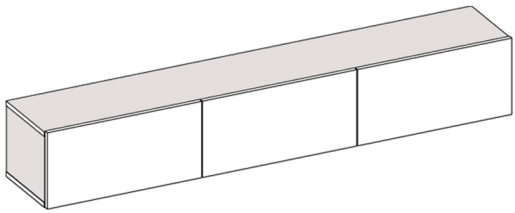


CA2



	B0501 x16		B0502 x16		B0503 x16		B0504 x16		B0301 x36
	B0306 x6		B0318 x30		B0101 x6		B0105 x6		B1303 x6
	B0317 x6								





B0502 B0503 B0504 B0501



x16



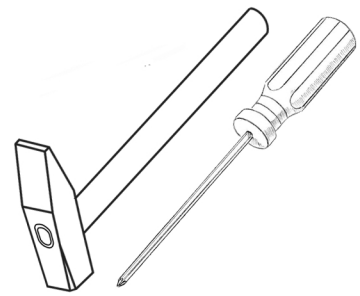
x16



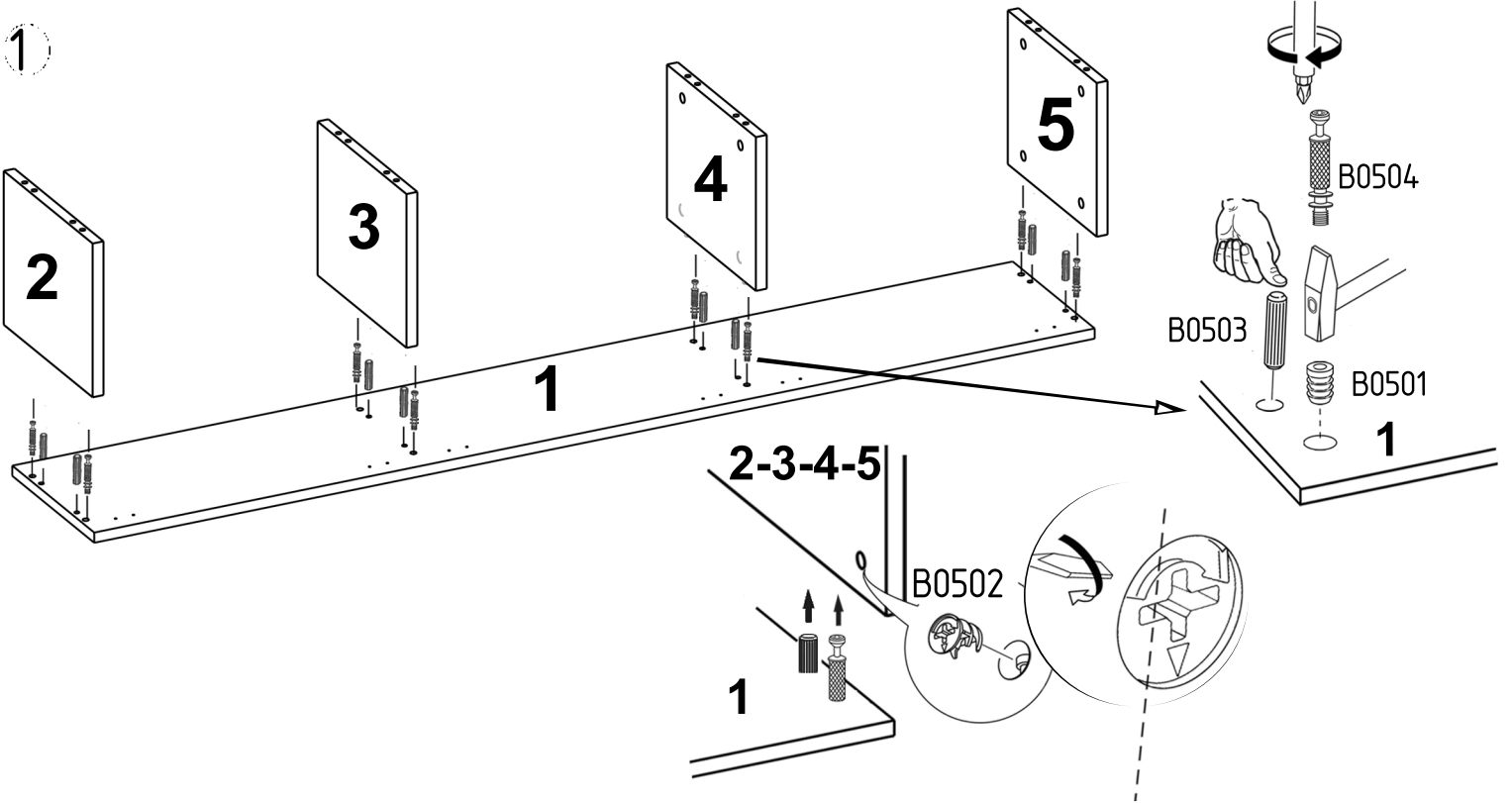
x16



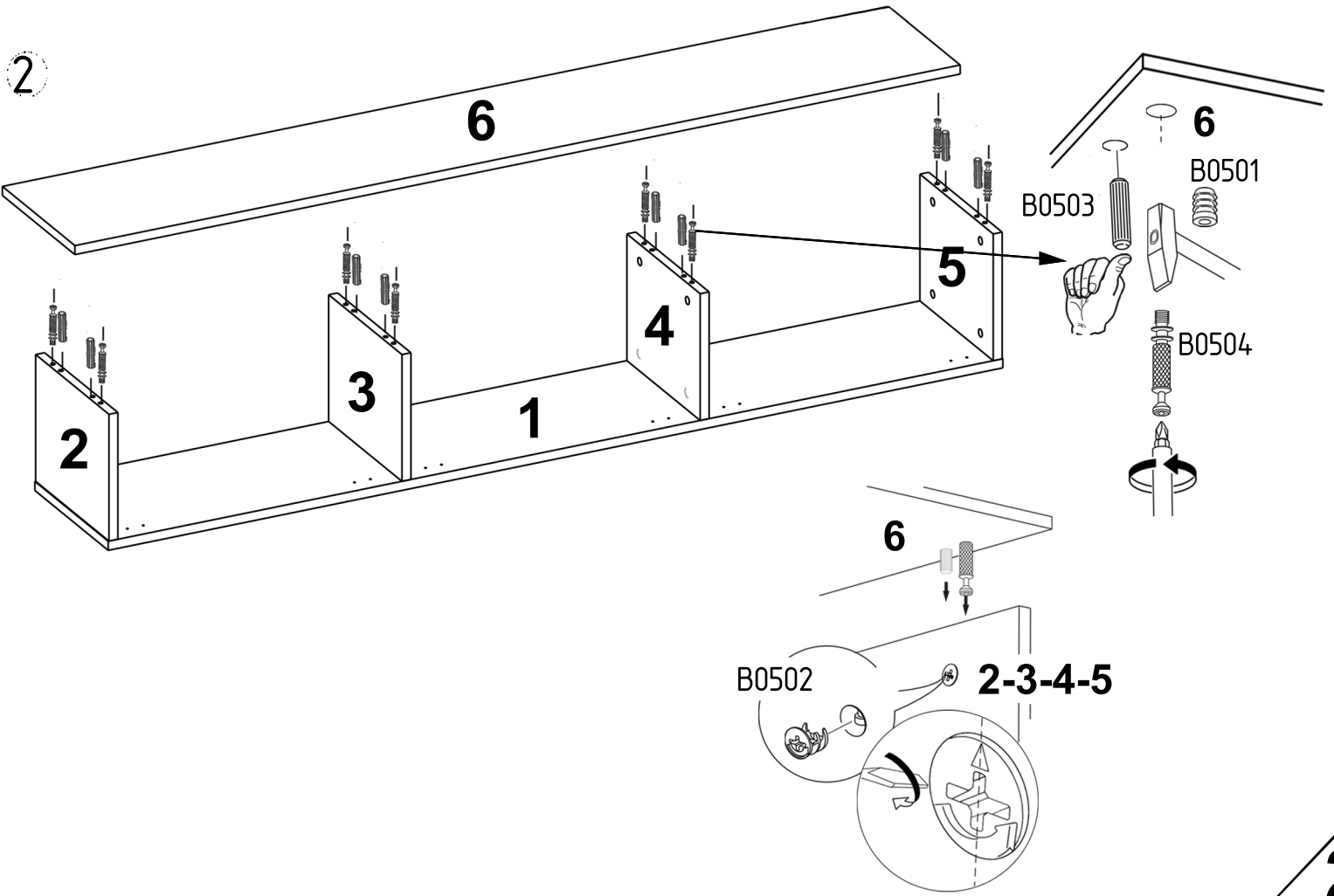
x16

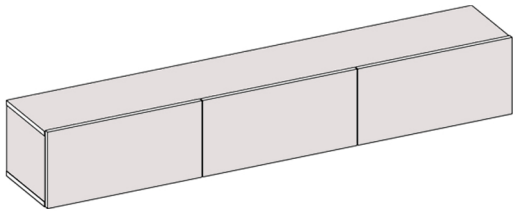


1



2



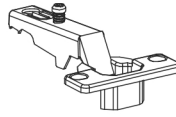


B0301



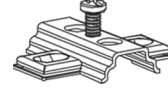
x24

B0101

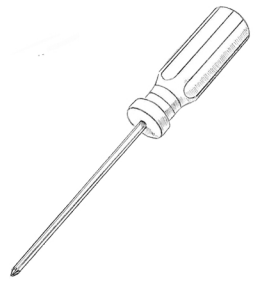


x6

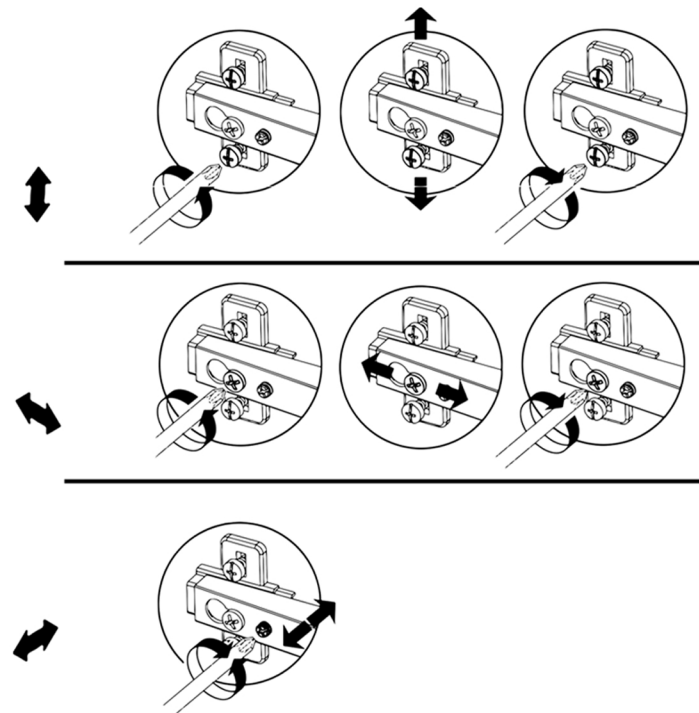
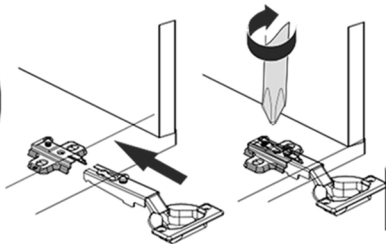
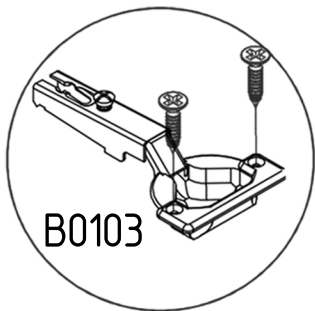
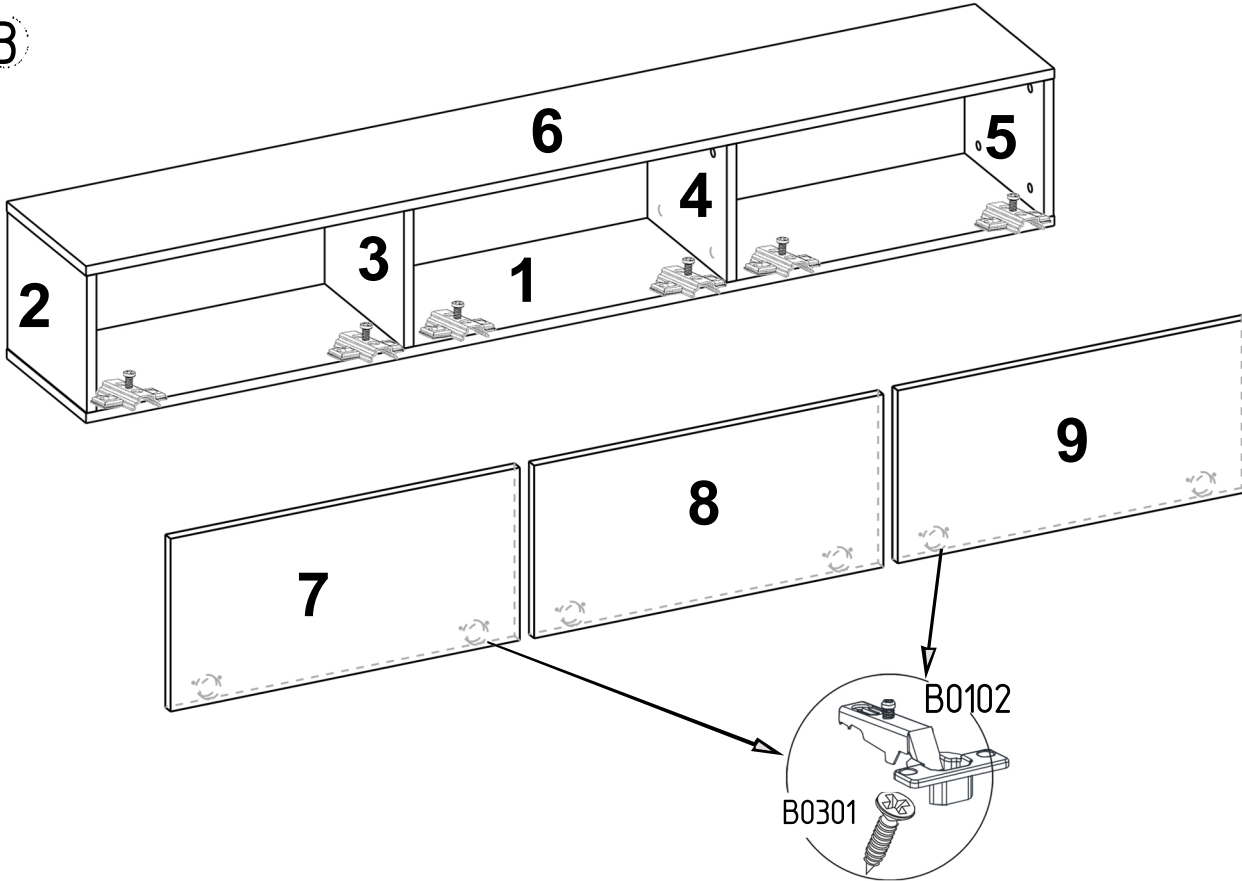
B0105

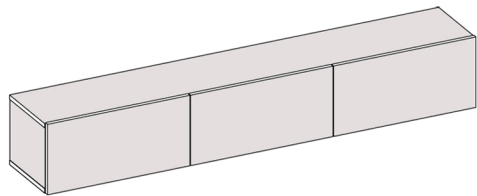


x6



3





B0318

B1303

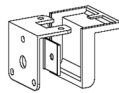
B0317

B0306

B0301



x30



x6



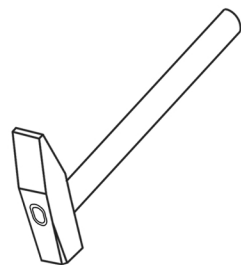
x6



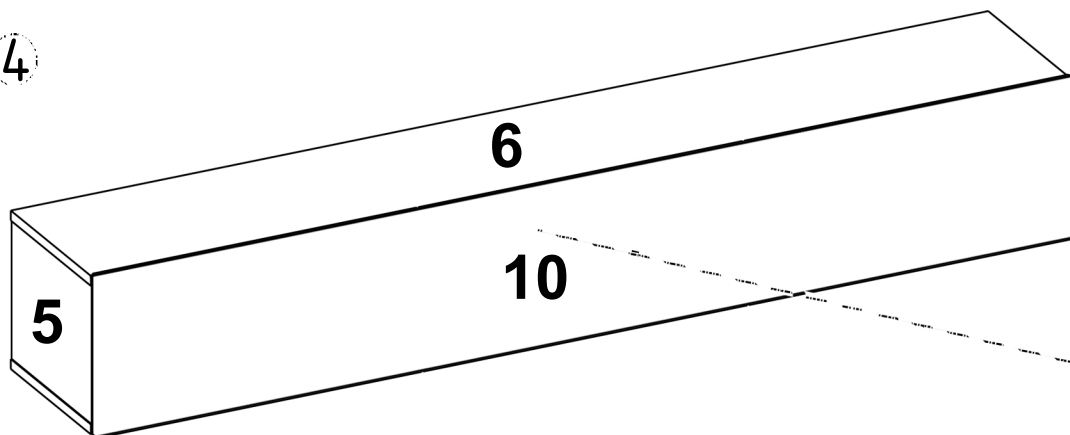
x6



x24



4



5

