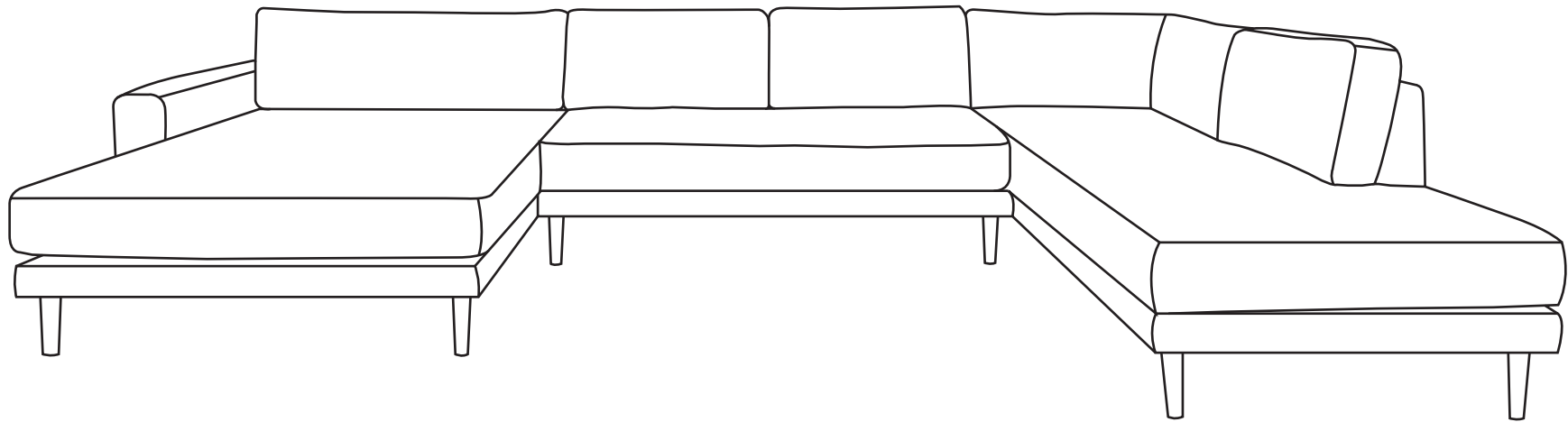


ASSEMBLY INSTRUCTION

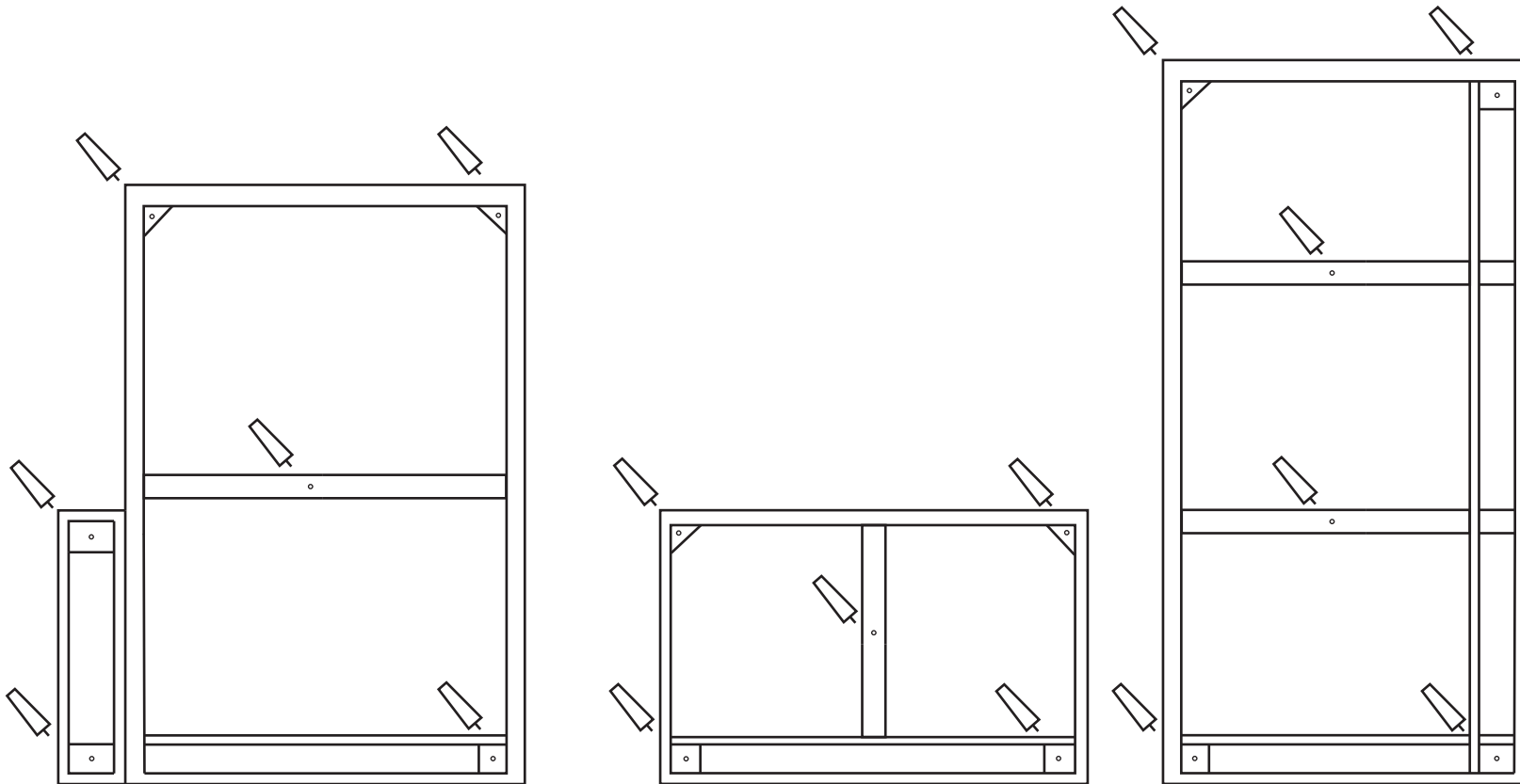
LIDO U-SOFA



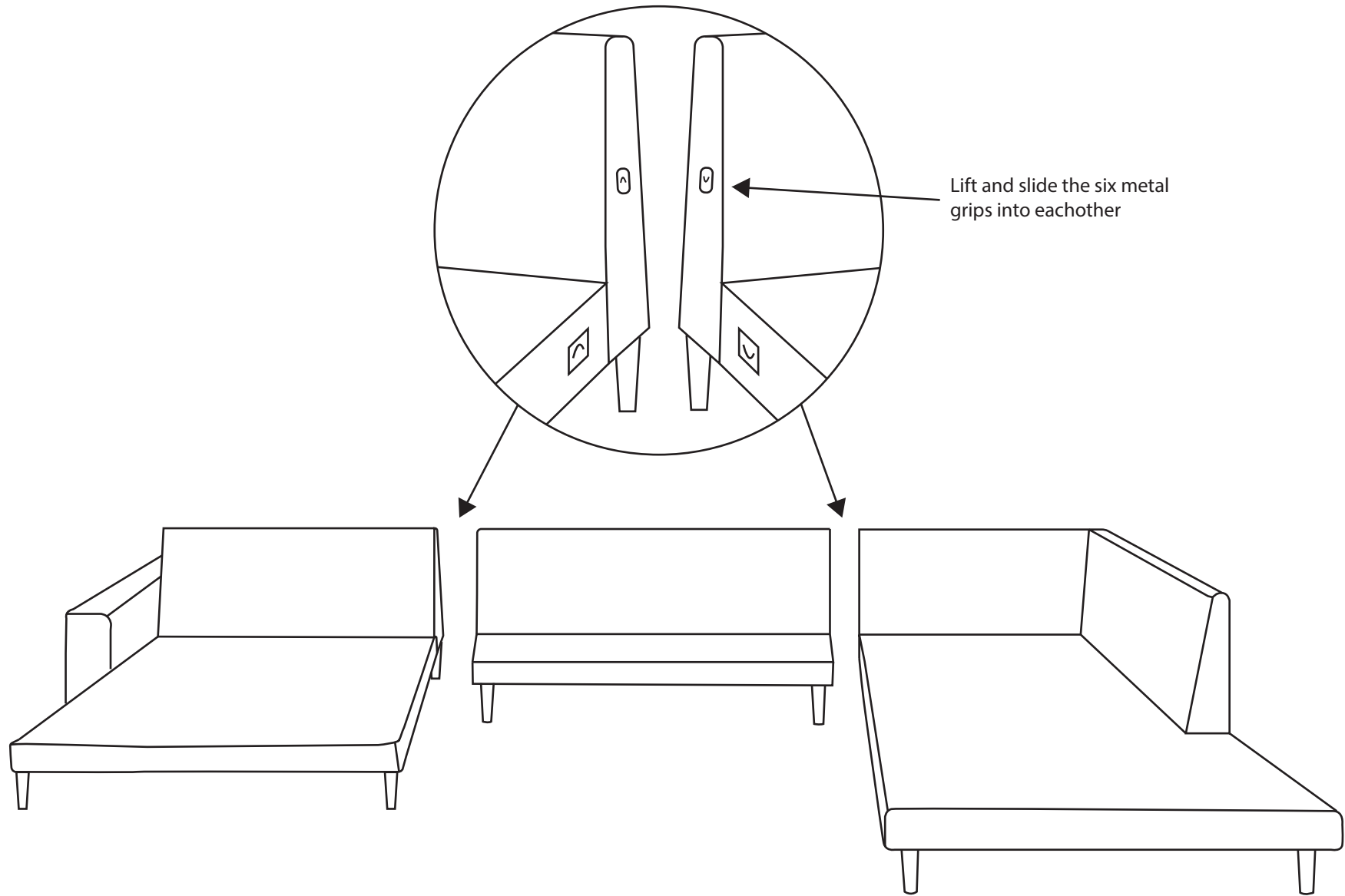


Legs x 17

1 Screw the legs on to the sofa

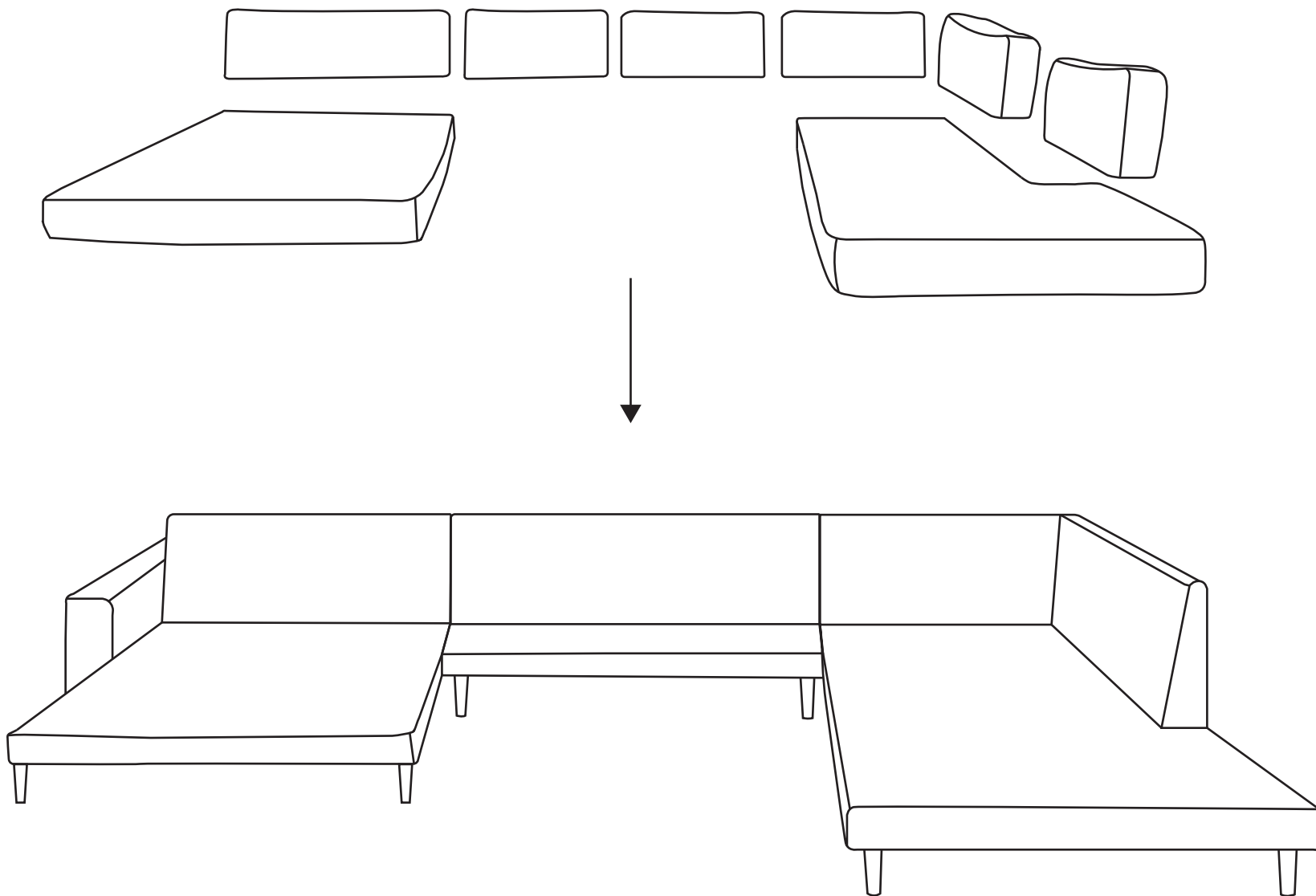


2



3

Place the cushions in the sofa



4

