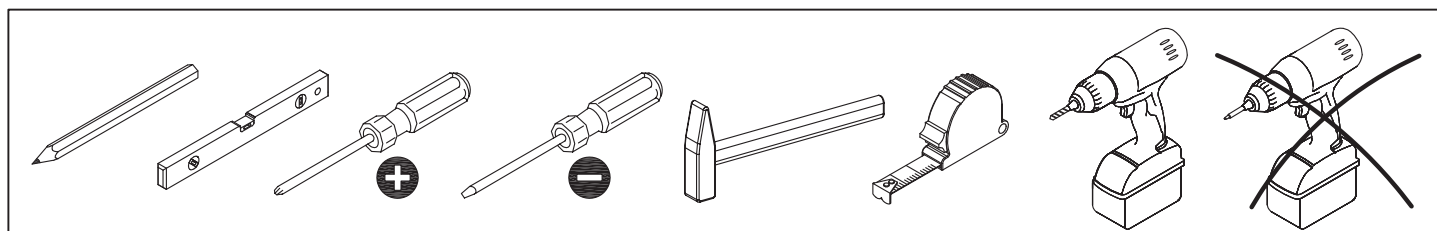
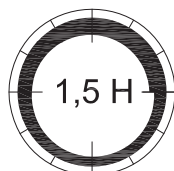
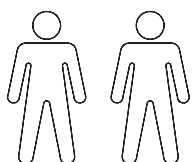
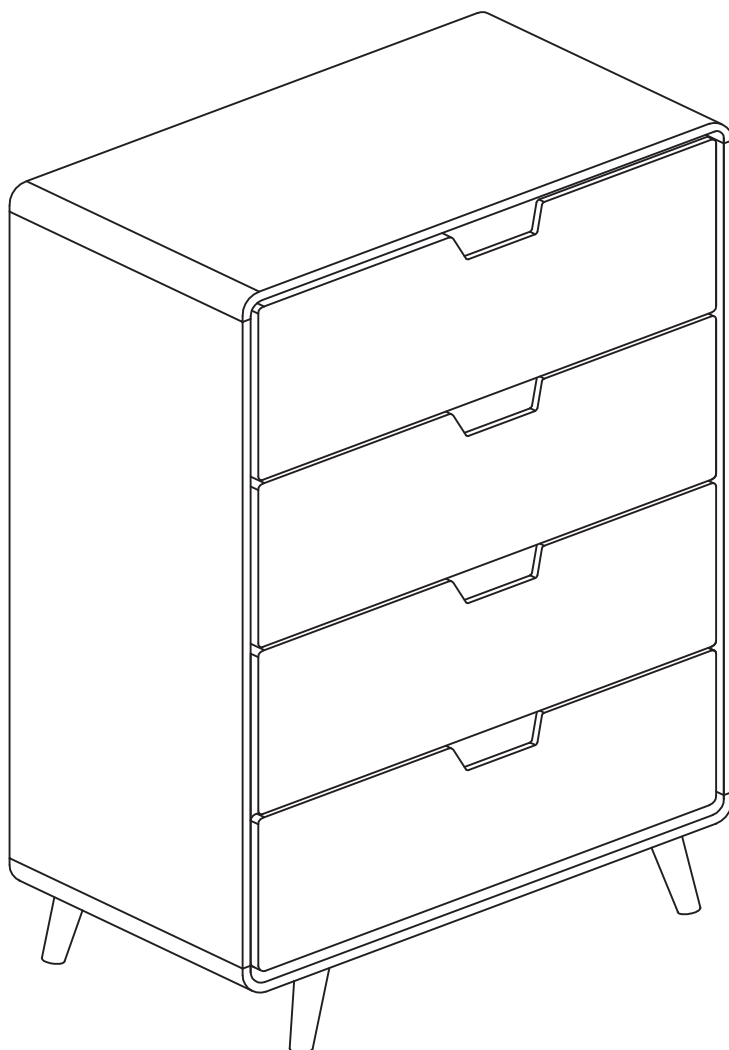
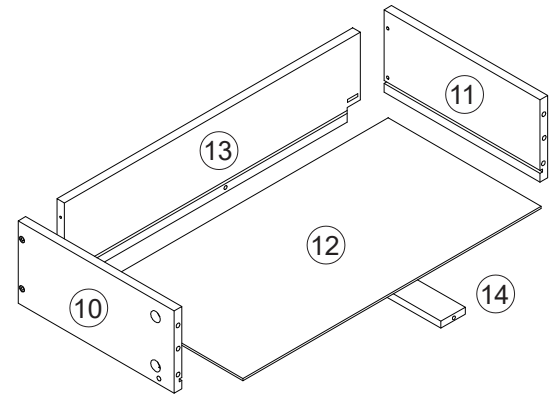
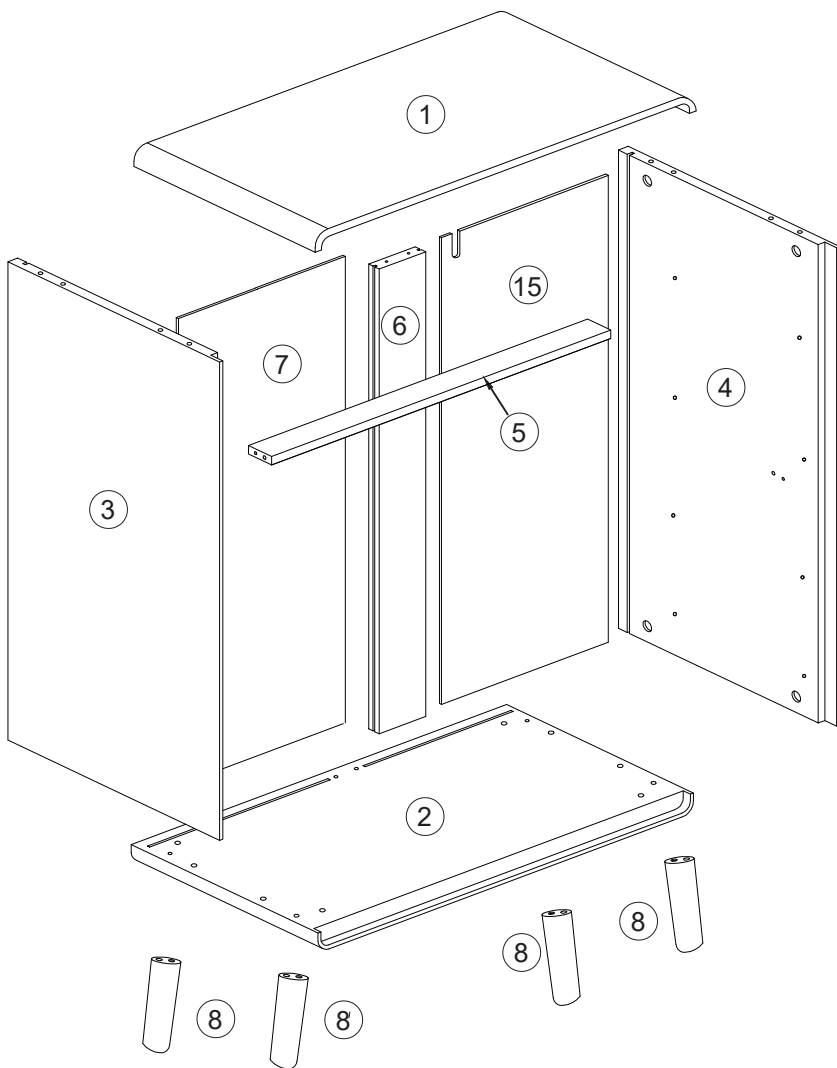


# LOWELL

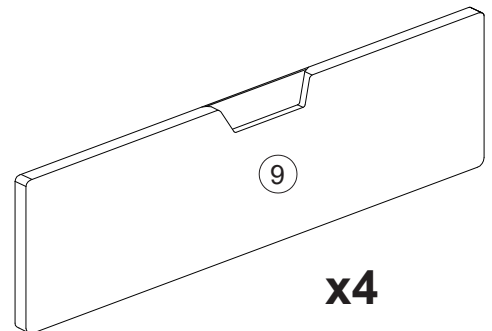


			✓
①	1	800X400X25	
②	1	800X400X25	
③	1	768X400X18	
④	1	768X400X18	
⑤	1	760X50X15	
⑥	1	768X90X15	
⑦	1	778X344X3	
⑧	4	∅50X187	

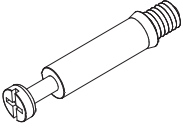
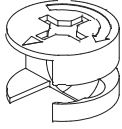
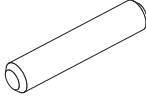
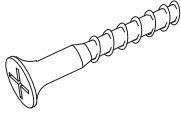
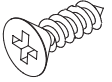
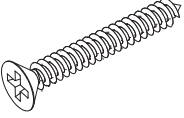
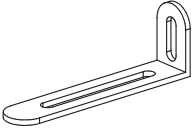
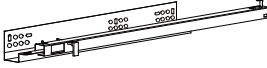
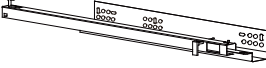
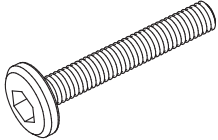
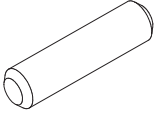

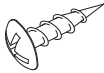


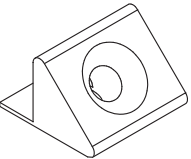
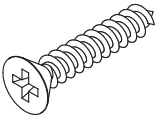
			✓
⑨	4	770X195X15	
⑩	4	330X135X12	
⑪	4	330X135X12	
⑫	4	726X326X3	
⑬	4	720X135X12	
⑭	4	318X50X12	
⑮	1	778X344X3	



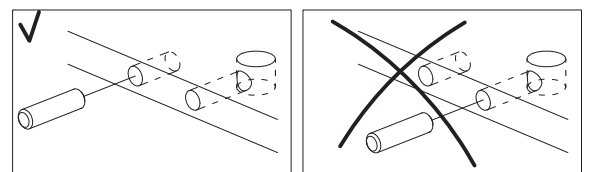
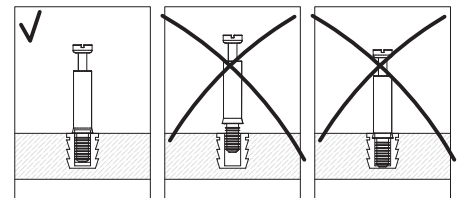
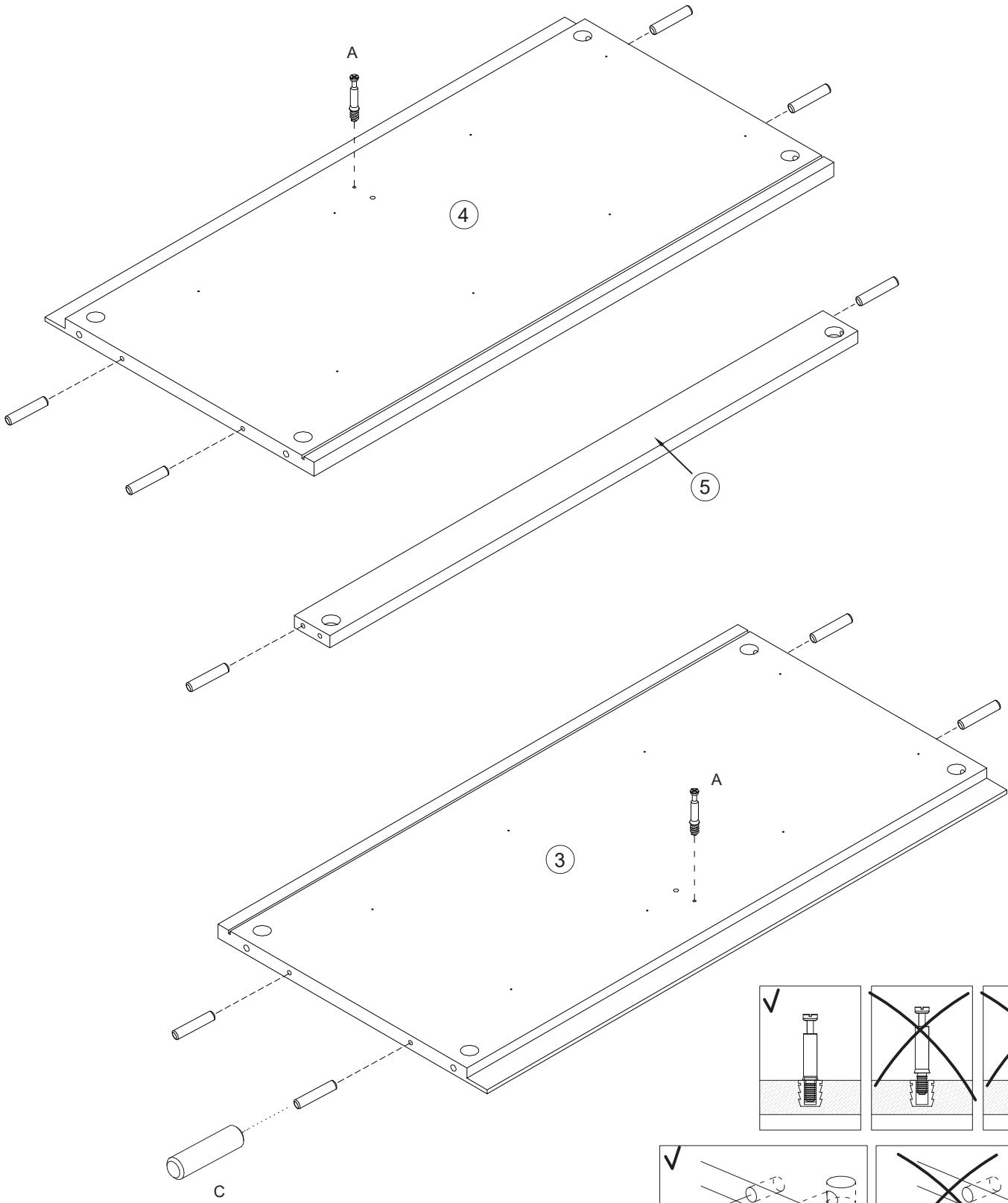
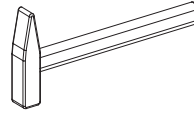
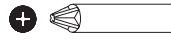
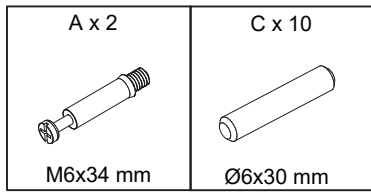
**x4**



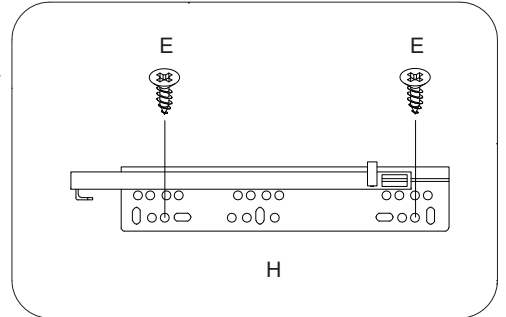
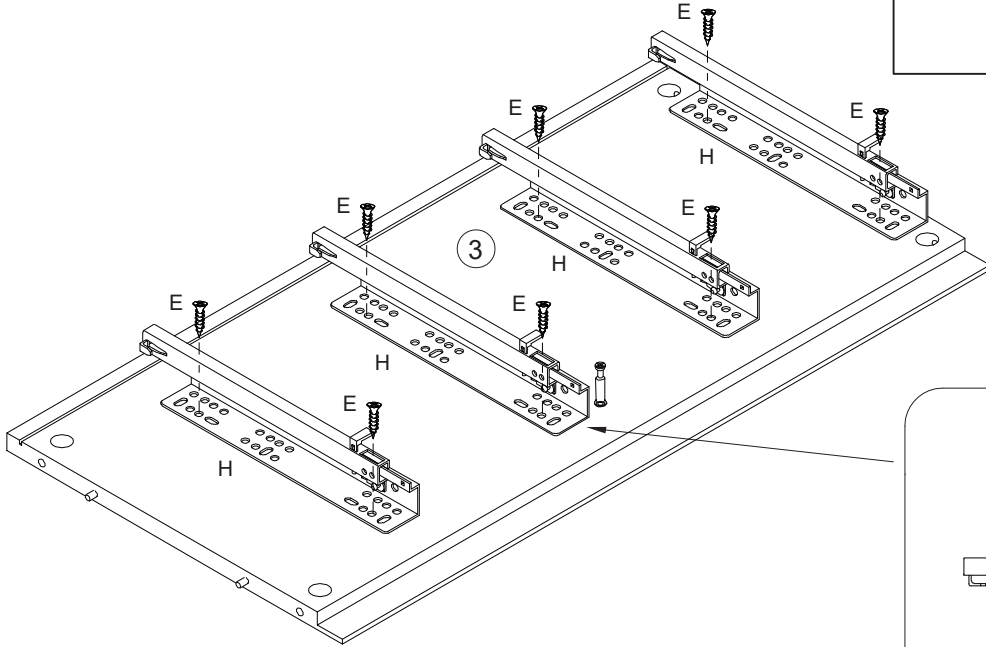
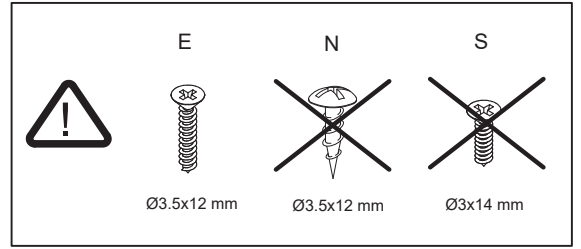
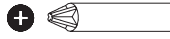
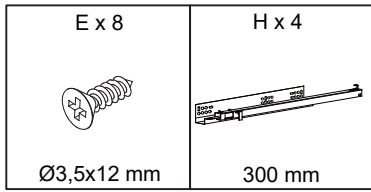
**x4**

<p>A X 32</p>  <p>M6/34 mm</p>	<p>B X 32</p>  <p>Ø15x9,5 mm</p>	<p>C X 18</p>  <p>Ø6x30 mm</p>	<p>D X 2</p>  <p>Ø5x40 mm</p>	<p>E X 16</p>  <p>Ø3,5x12 mm</p>
<p>F X 20</p>  <p>Ø4x30 mm</p>	<p>G X 1</p>  <p>75x30x15 mm</p>	<p>H X 4</p>  <p>300 mm</p>	<p>J X 4</p>  <p>300 mm</p>	<p>K X 4</p>  <p>M6x40 mm</p>
<p>L X 4</p>  <p>Ø8x30 mm</p>	<p>M X 4</p>  <p>Ø6/Ø16 mm</p>	<p>N X 2</p>  <p>Ø3.5x12 mm</p>	<p>P X 4</p>  <p>Ø25x2 mm</p>	<p>Q X 1</p>  <p>4 mm</p>
<p>R X 10</p>  <p>15x13x10 mm</p>	<p>S X 10</p>  <p>Ø3x14 mm</p>			

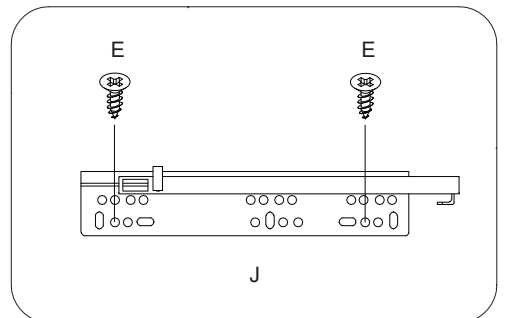
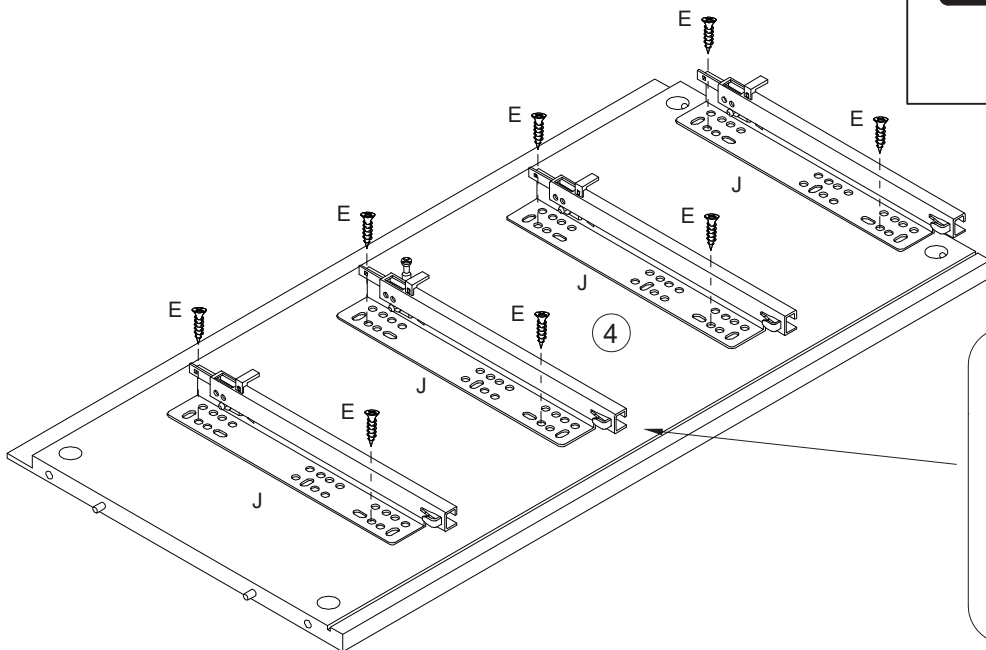
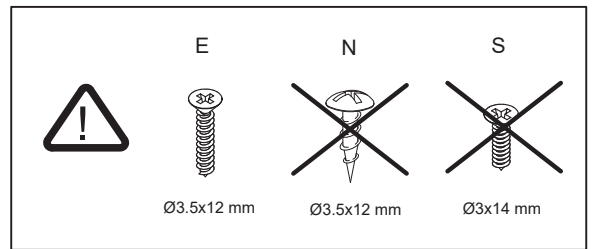
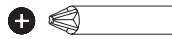
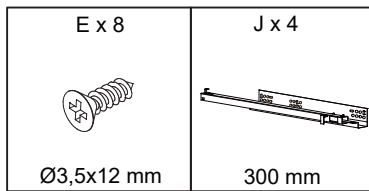
1



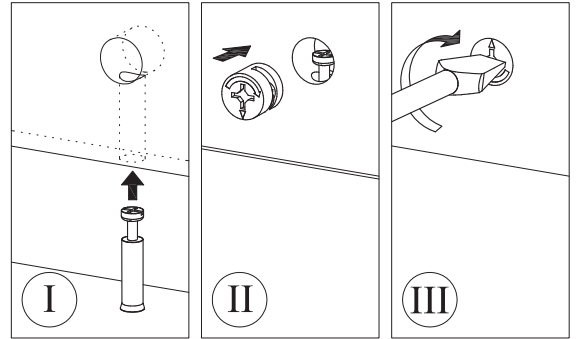
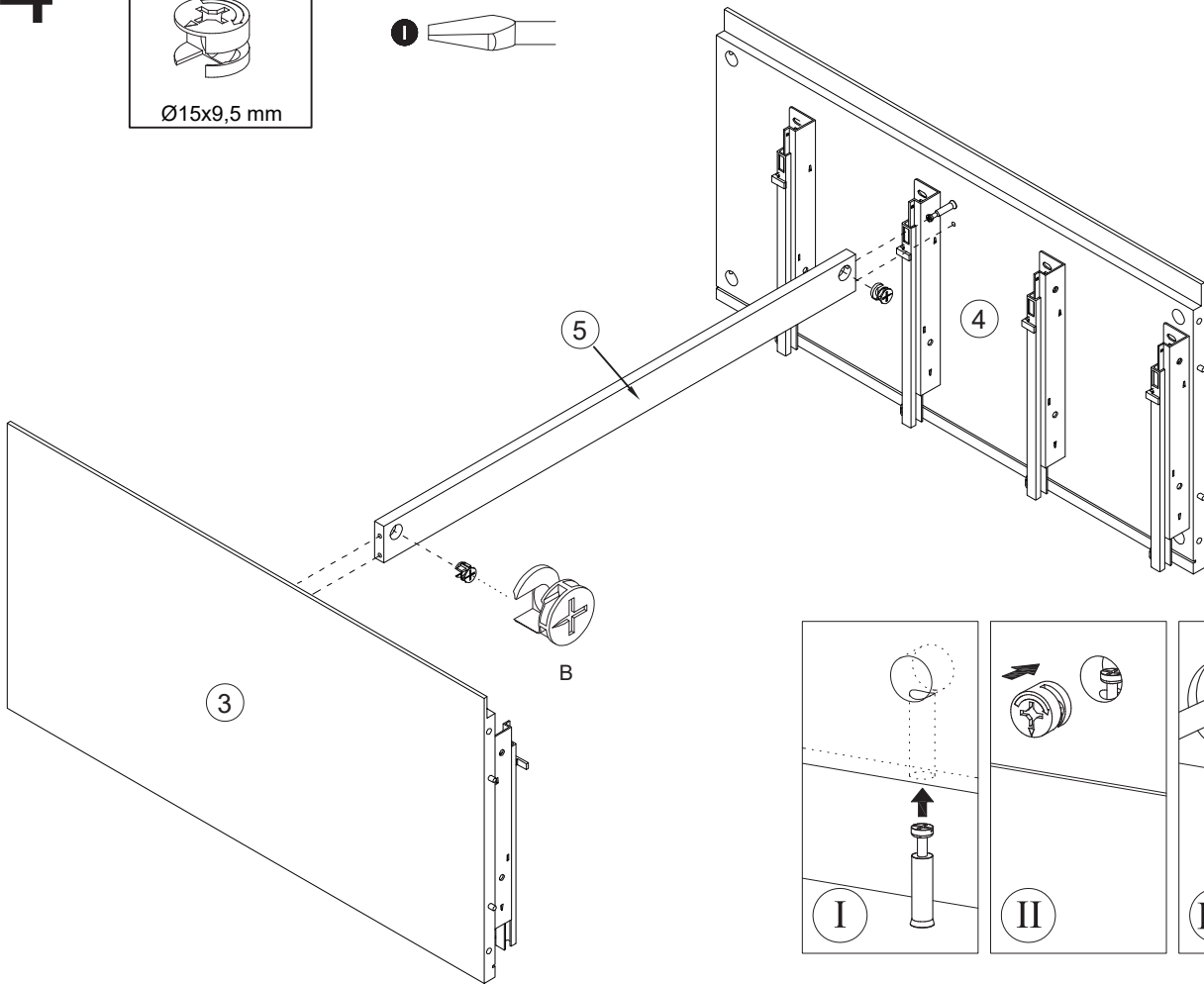
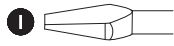
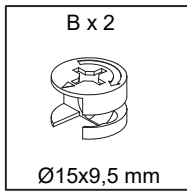
# 2



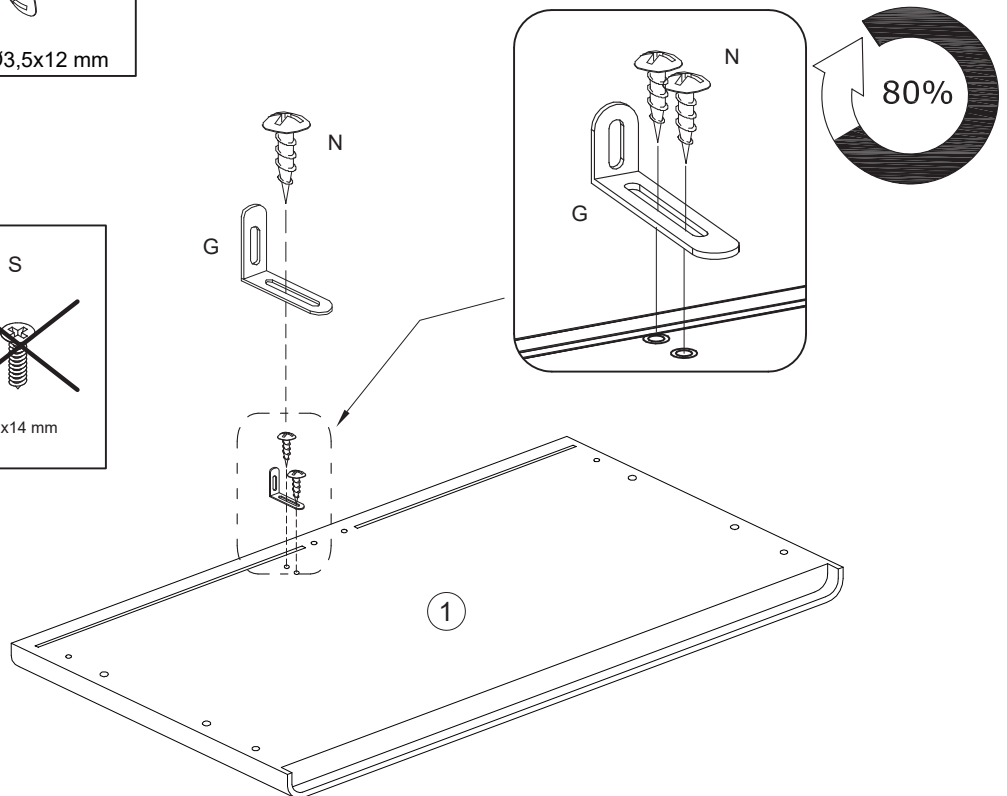
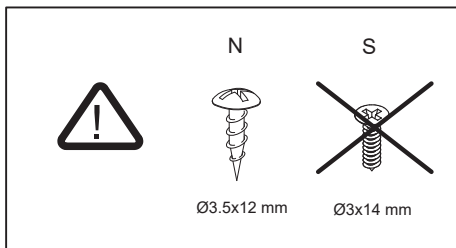
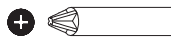
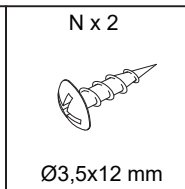
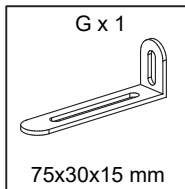
# 3



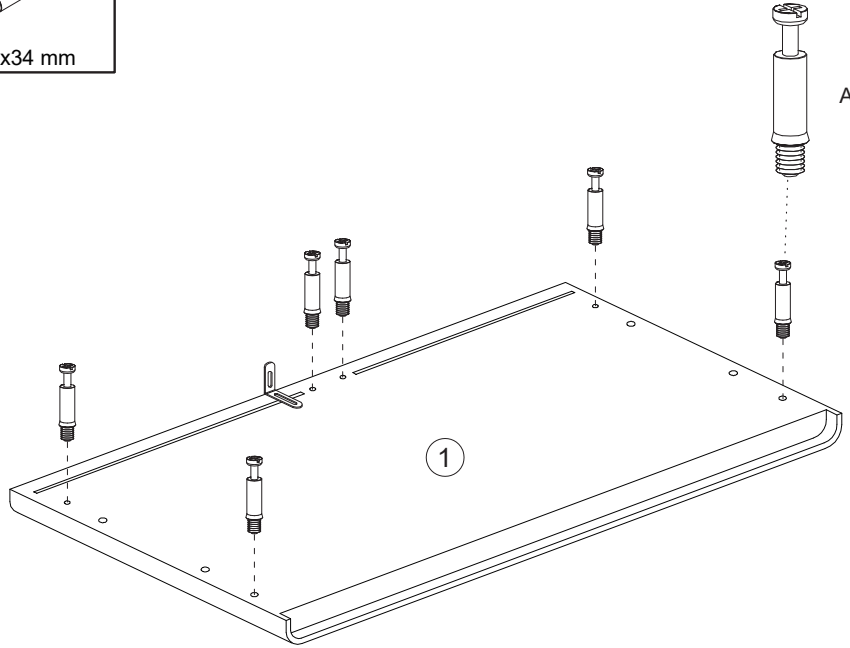
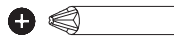
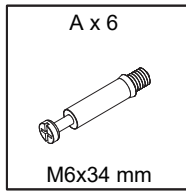
# 4



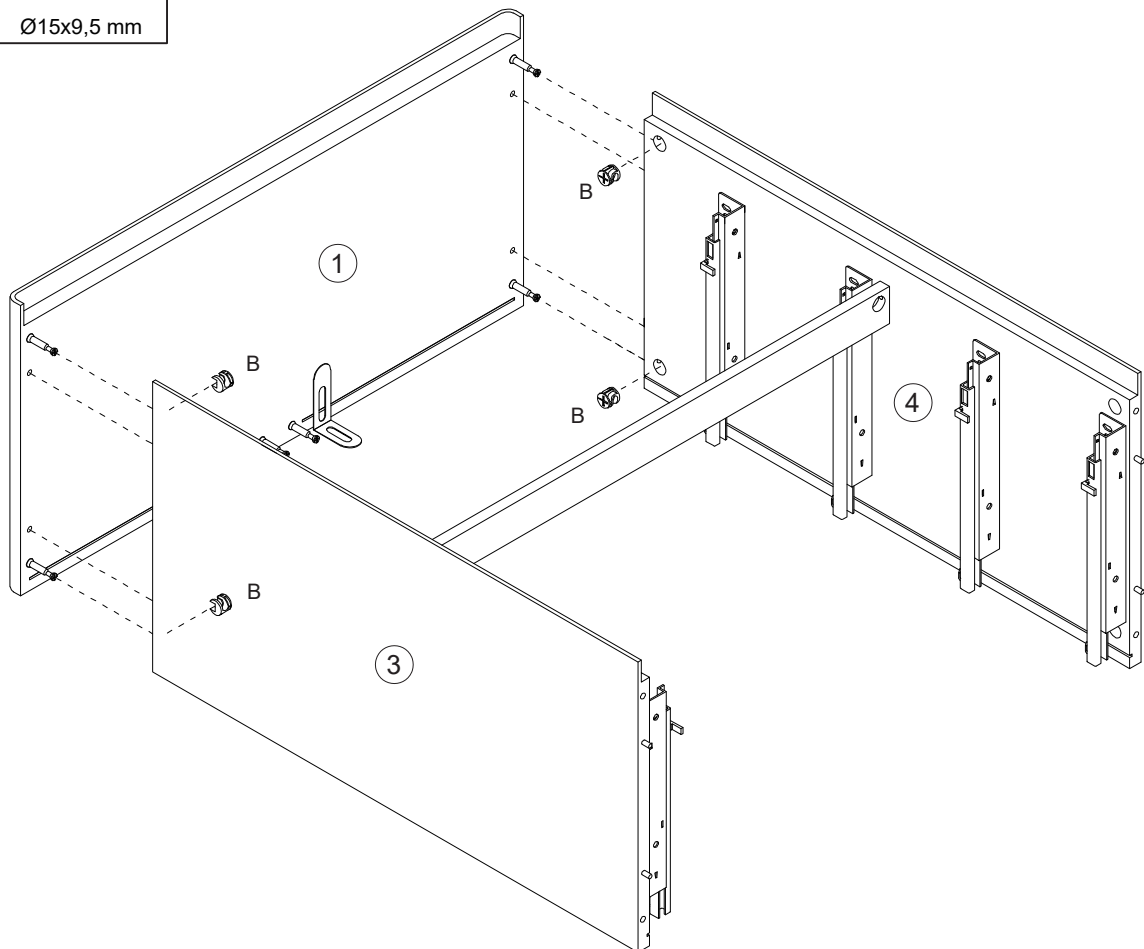
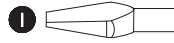
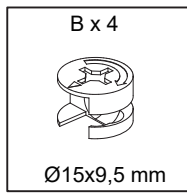
# 5



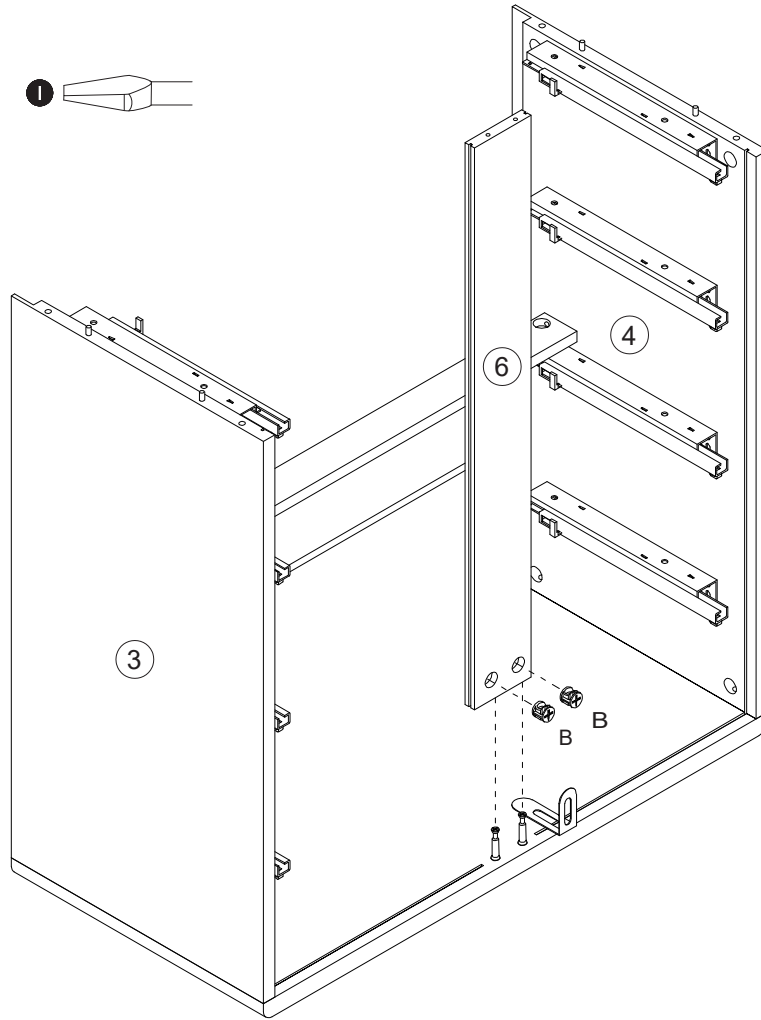
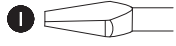
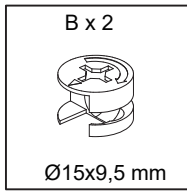
# 6



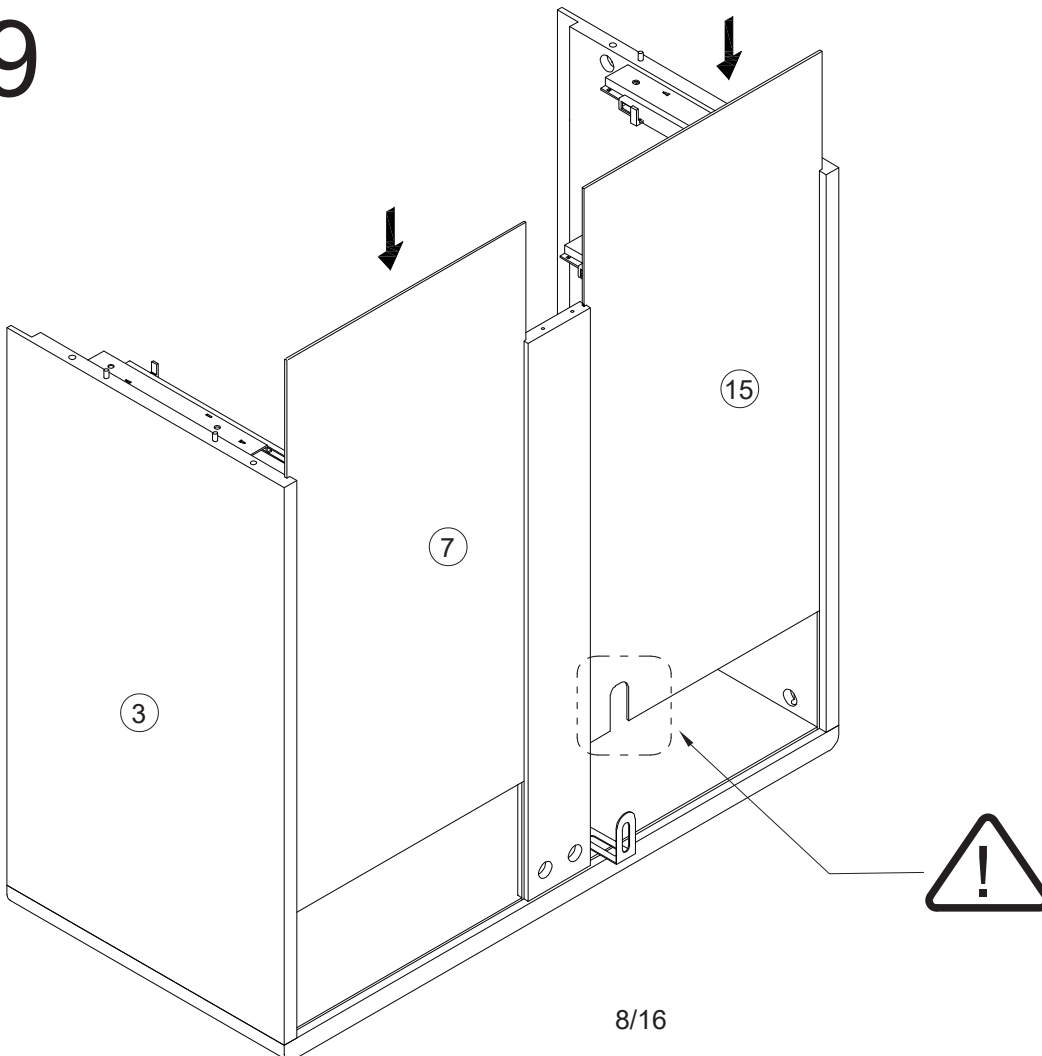
# 7



# 8

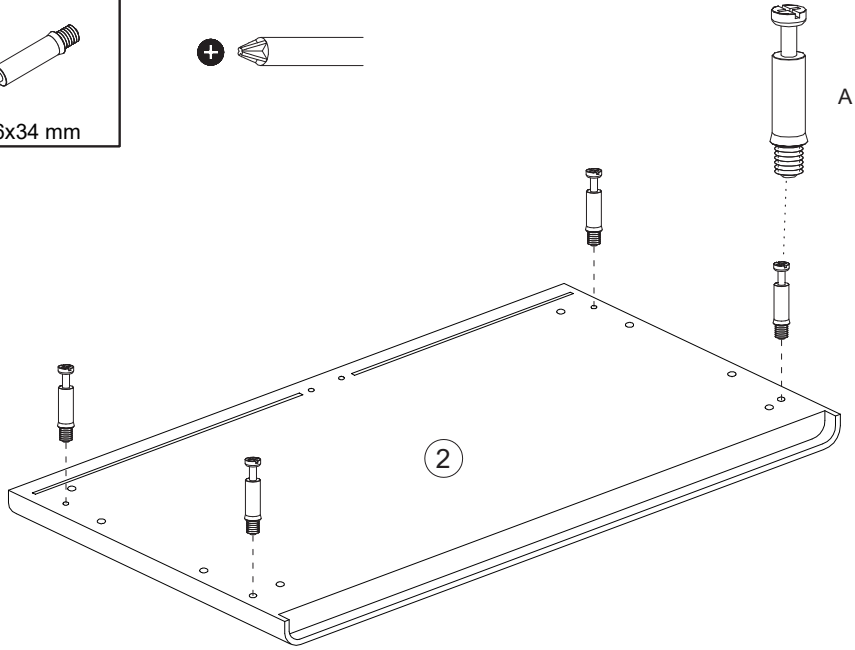
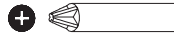
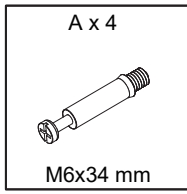


# 9

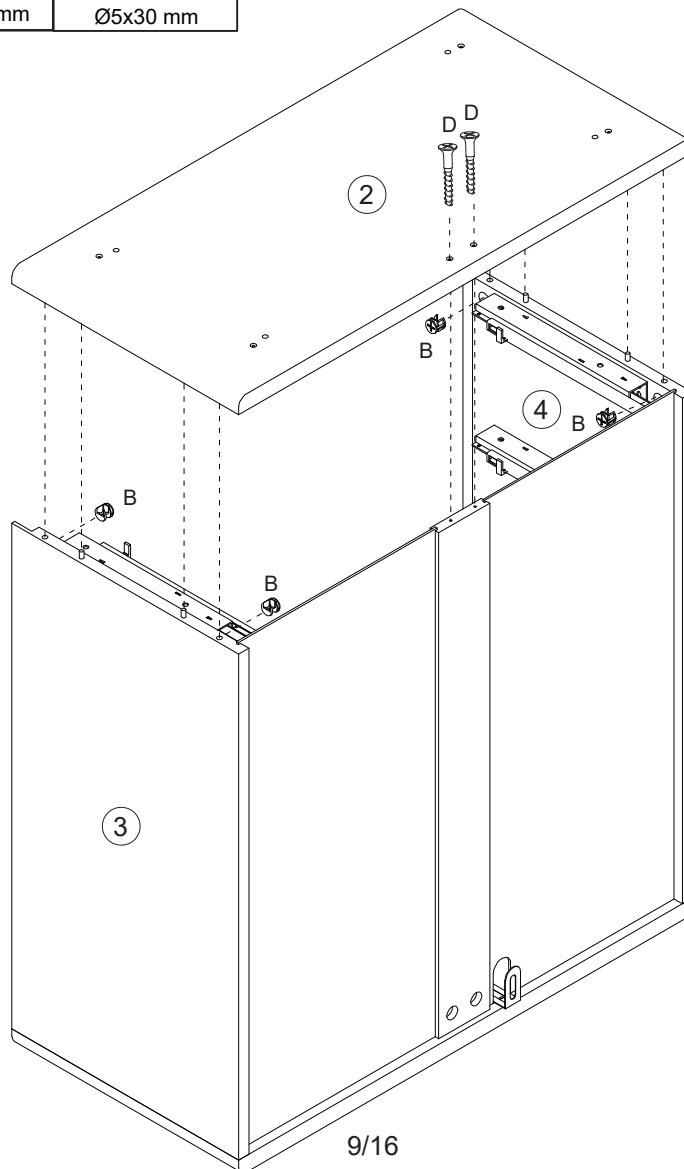
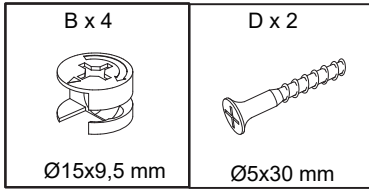




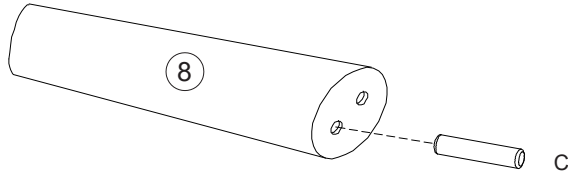
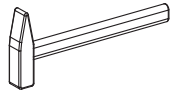
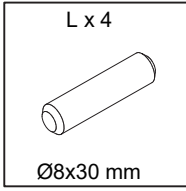
# 10



# 11

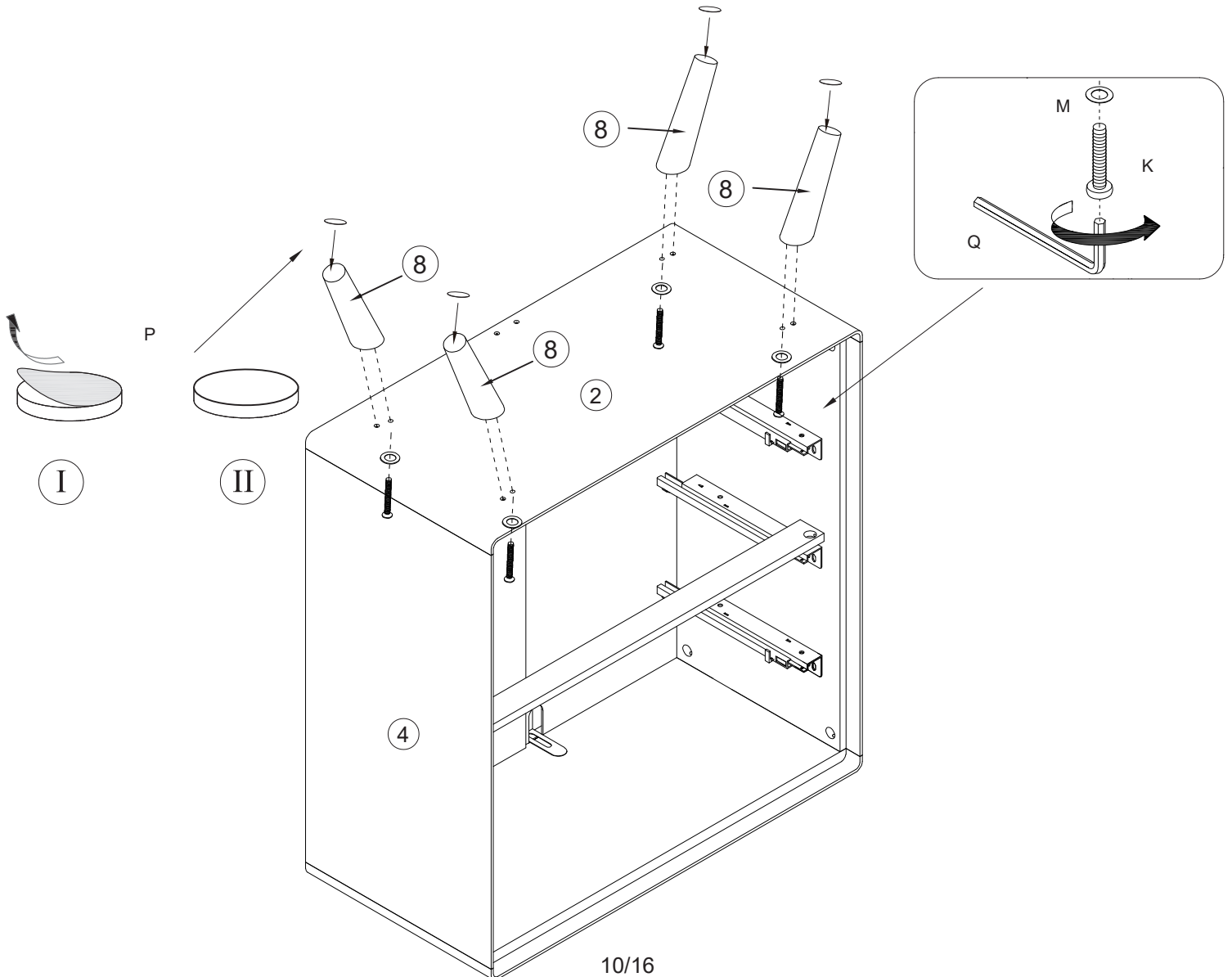
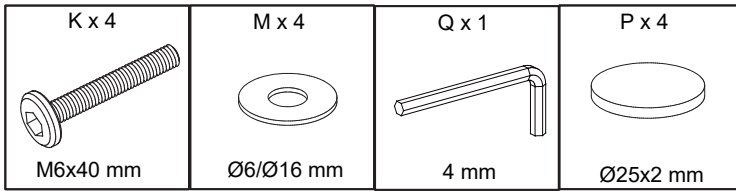


# 12

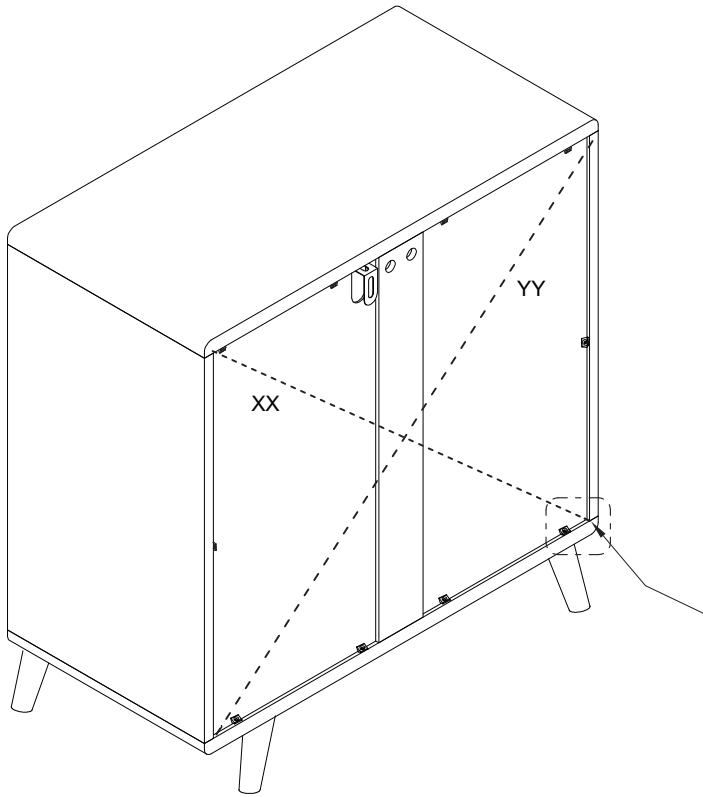
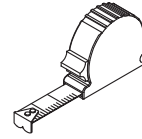
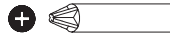
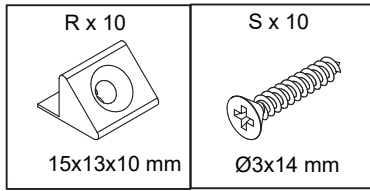


x4

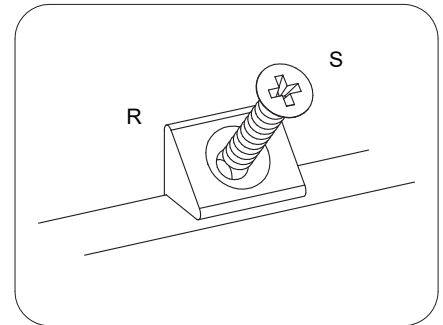
# 13



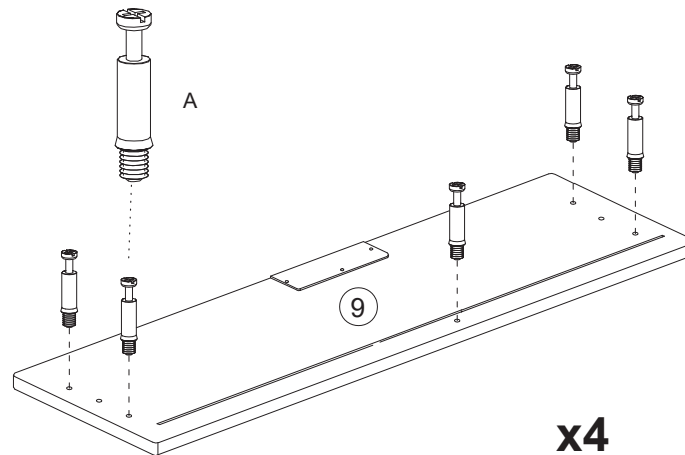
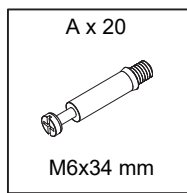
# 14



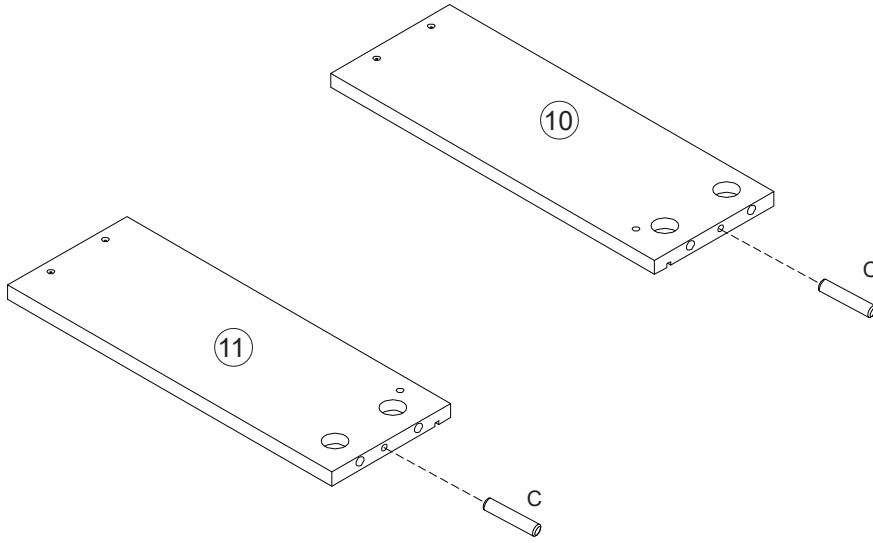
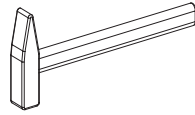
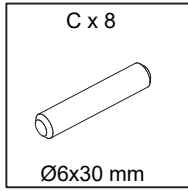
XX=YY



# 15

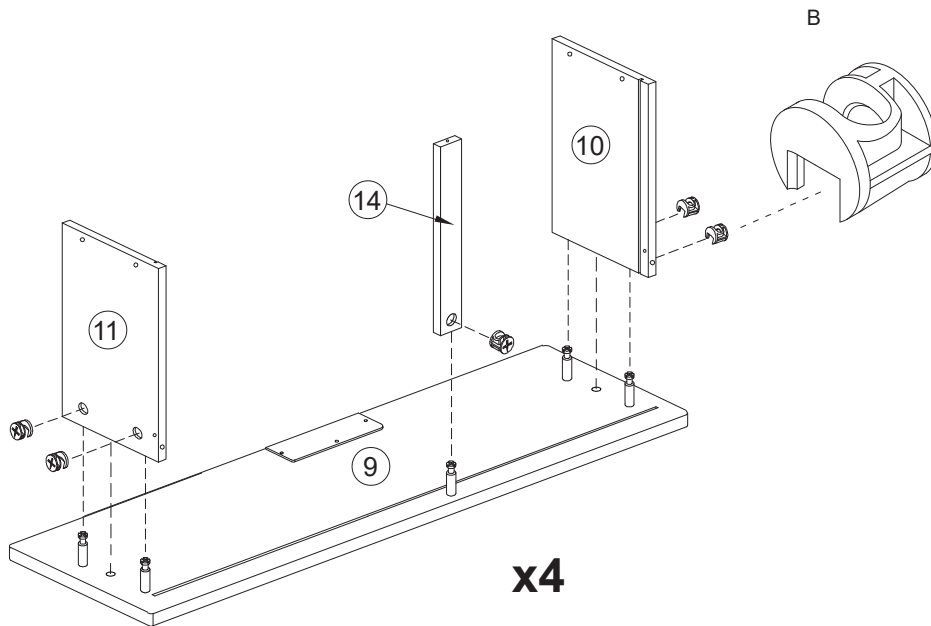
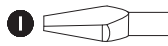
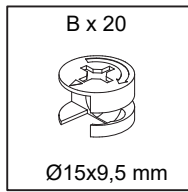


# 16



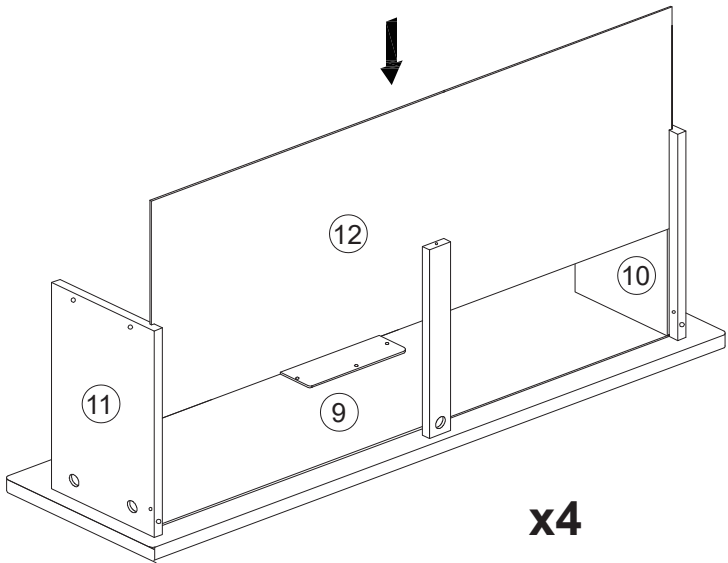
**x4**

# 17

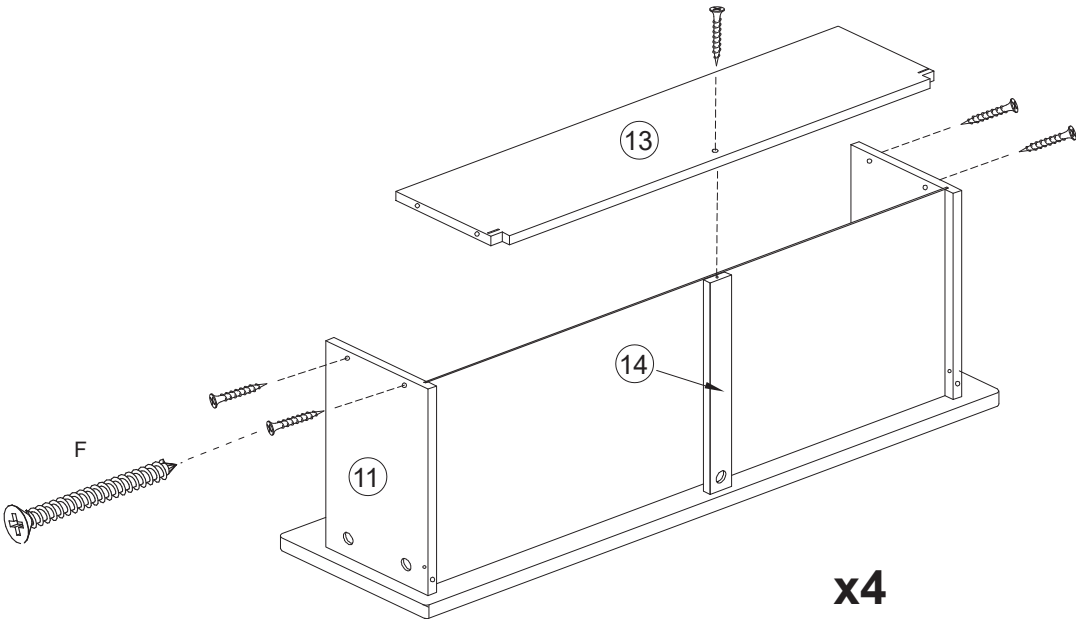
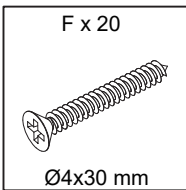


**x4**

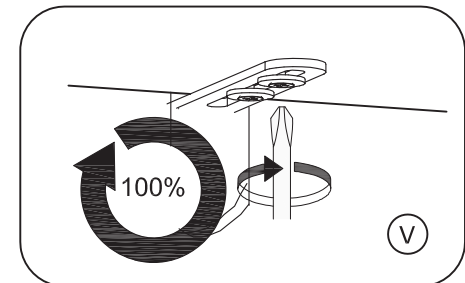
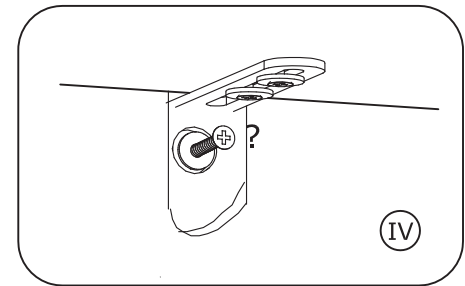
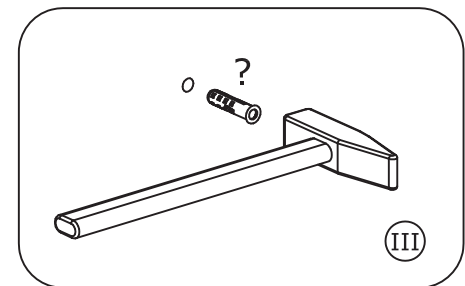
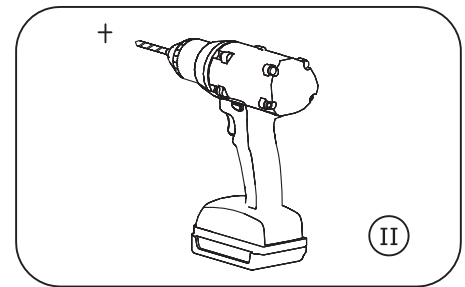
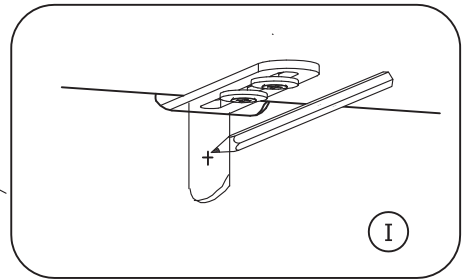
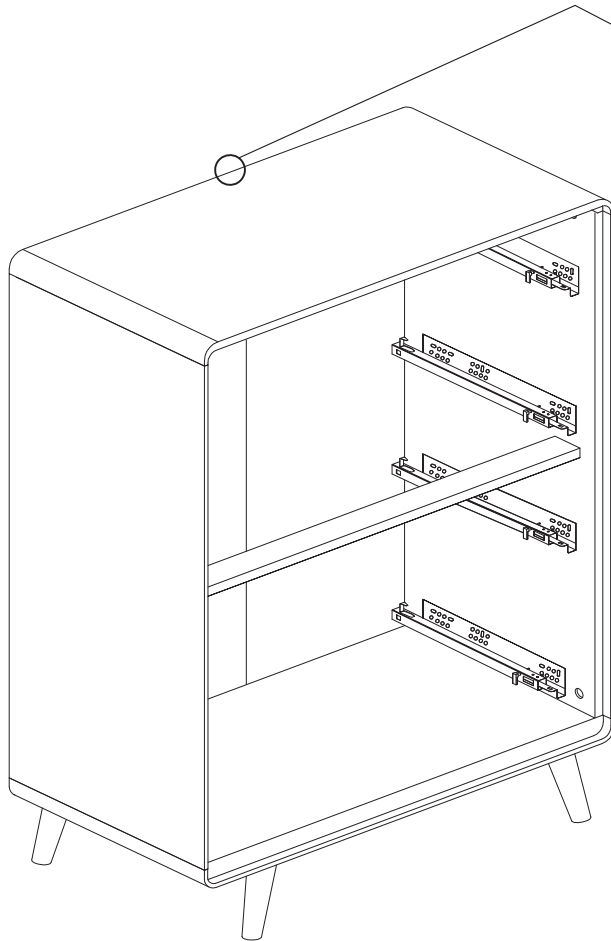
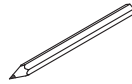
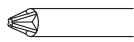
# 18

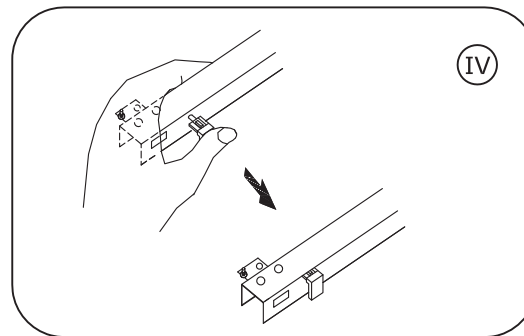
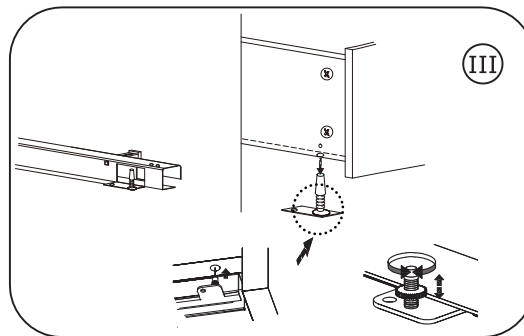
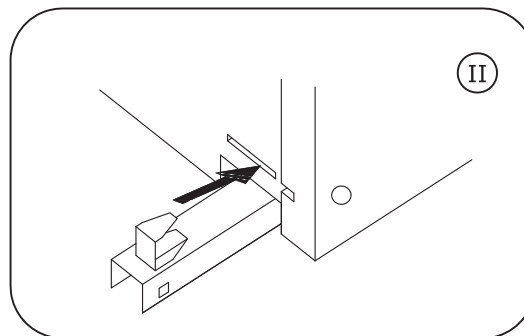
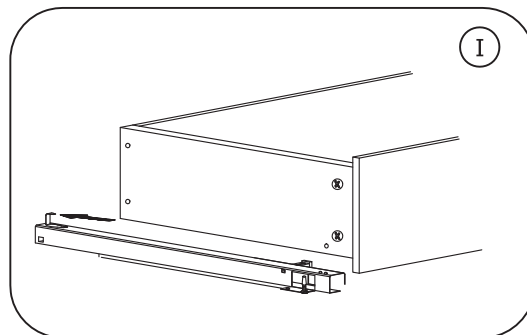
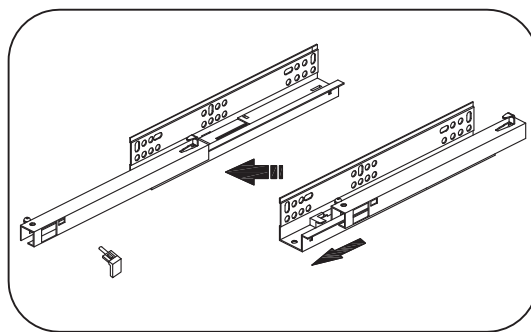
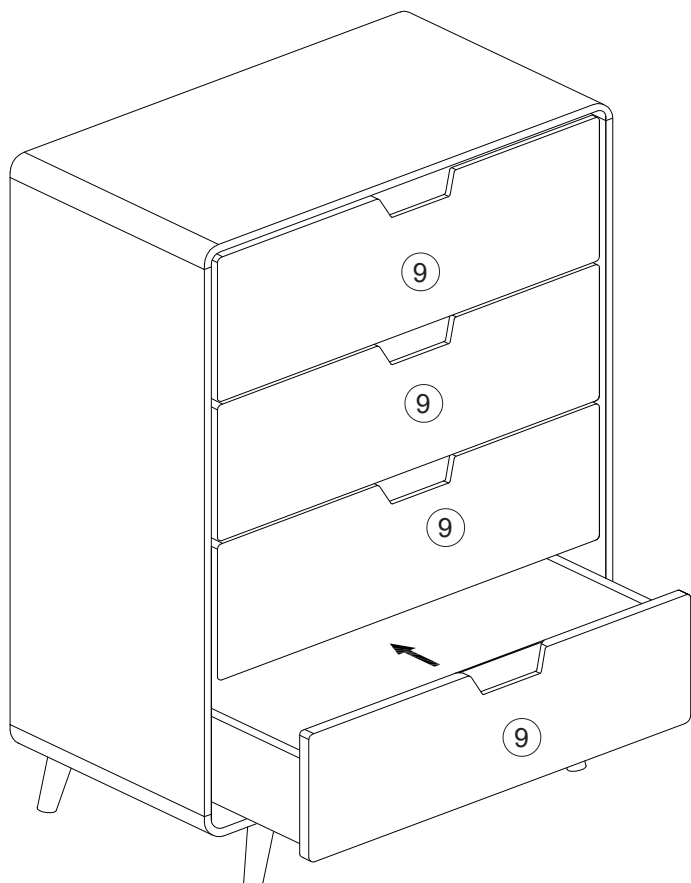


# 19

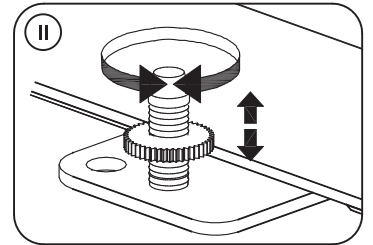
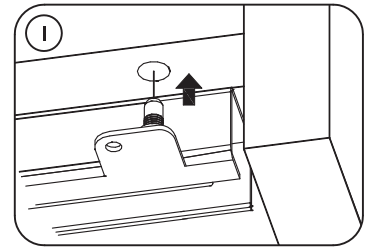
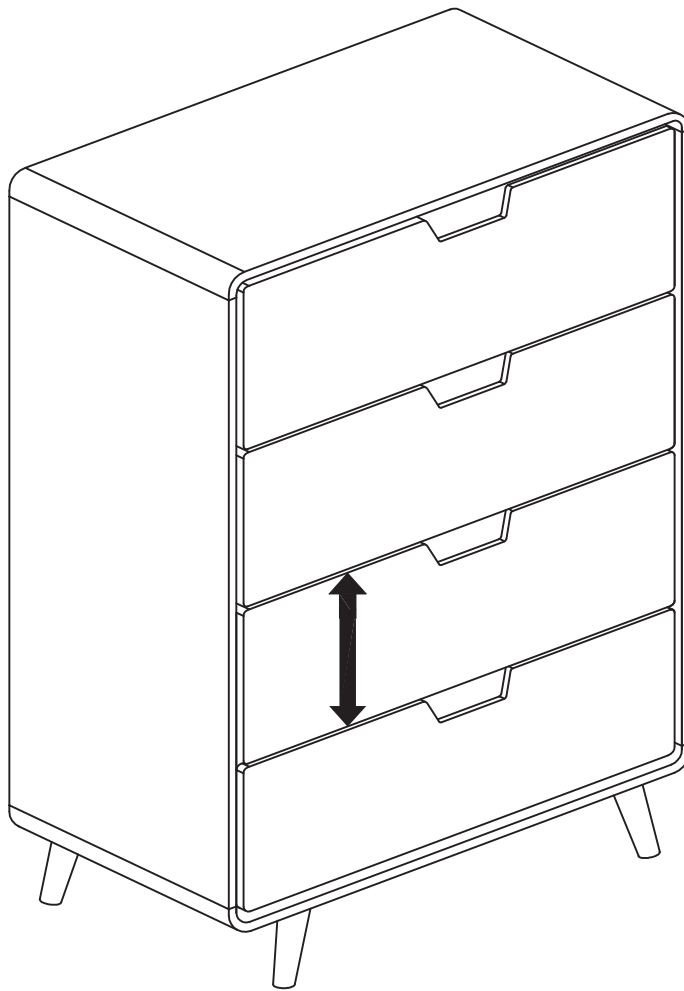


# 20





# 22



# 23

