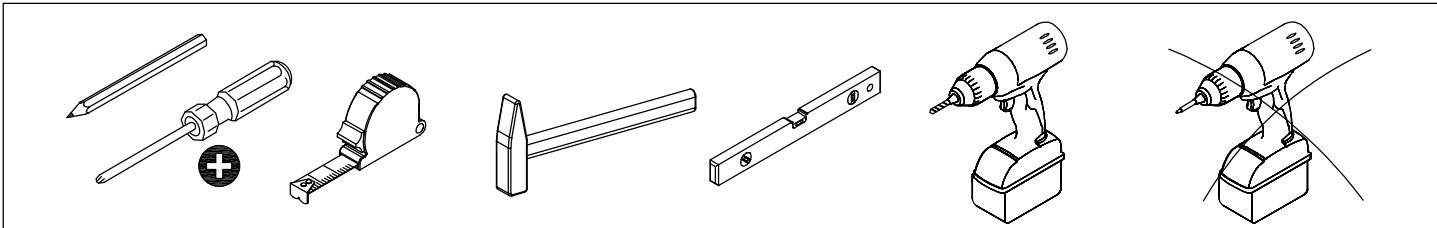
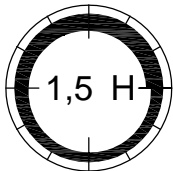
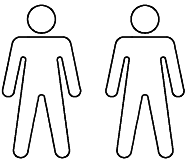
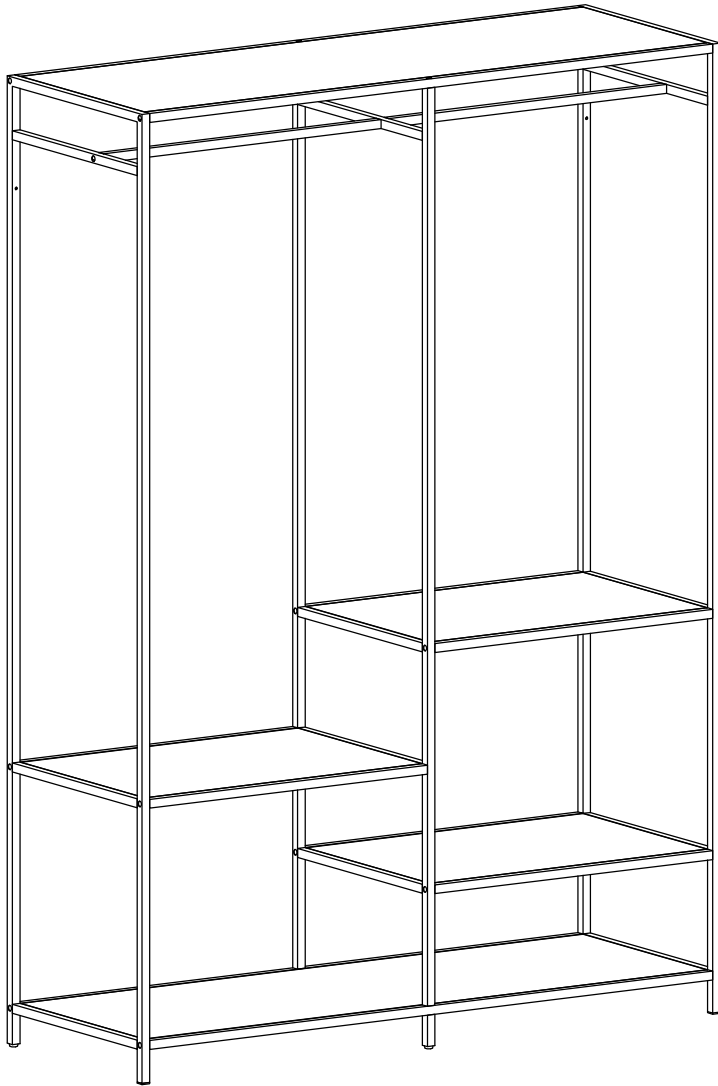
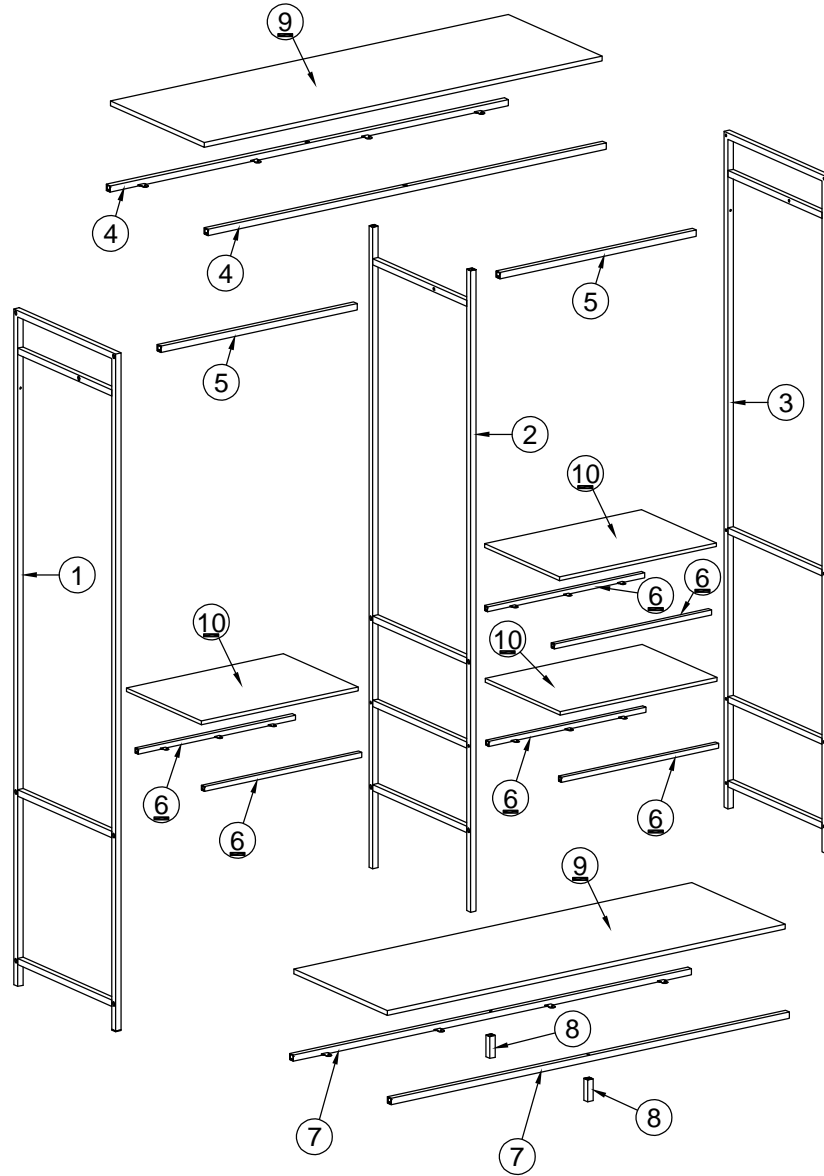


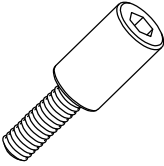

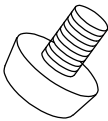

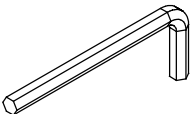
SEAFORD



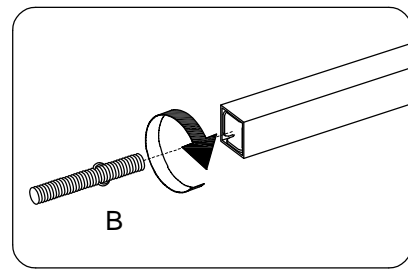
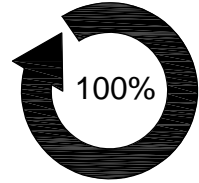
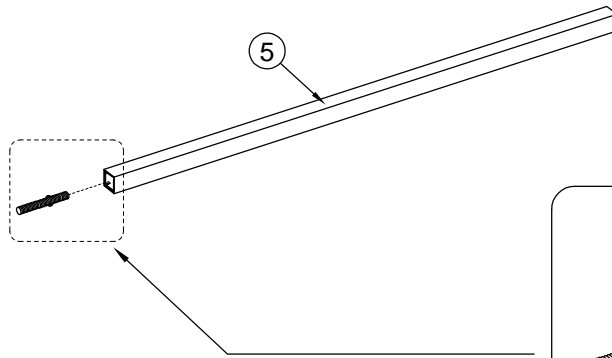
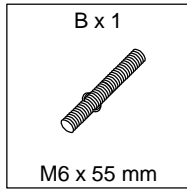
			✓
①	1	1740x432x16	
②	1	1644x432x16	
③	1	1740x432x16	
④	2	1184x41x16	
⑤	2	584x16x16	

			✓
⑥	6	584x41x16	
⑦	2	1184x41x16	
⑧	2	56x16x16	
⑨	2	1183x399x12	
⑩	3	583x399x12	

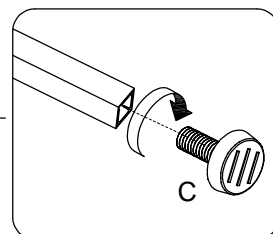
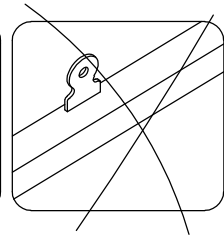
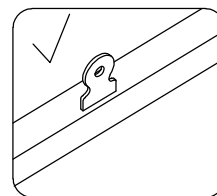
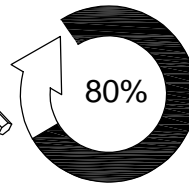
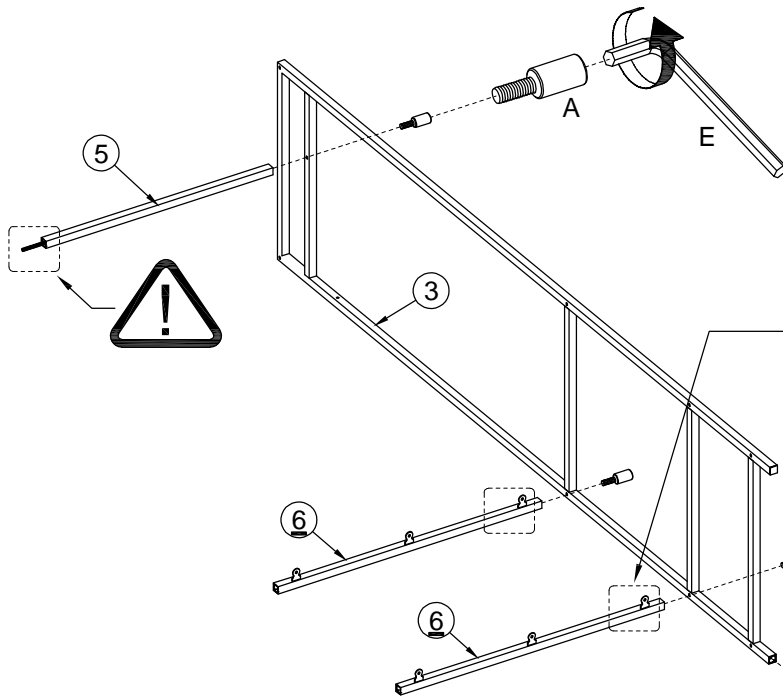
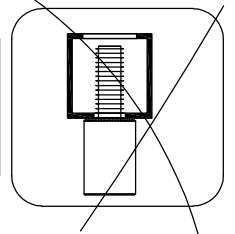
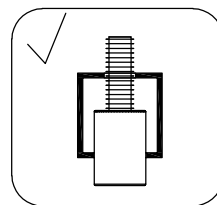
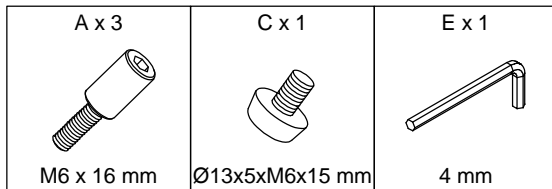


A x 24	B x 3	C x 4	D x 34	E x 1
				
M6 x 16 mm	M6 x 55 mm	Ø13x5xM6x15 mm	Ø4 x 12 mm	4 mm

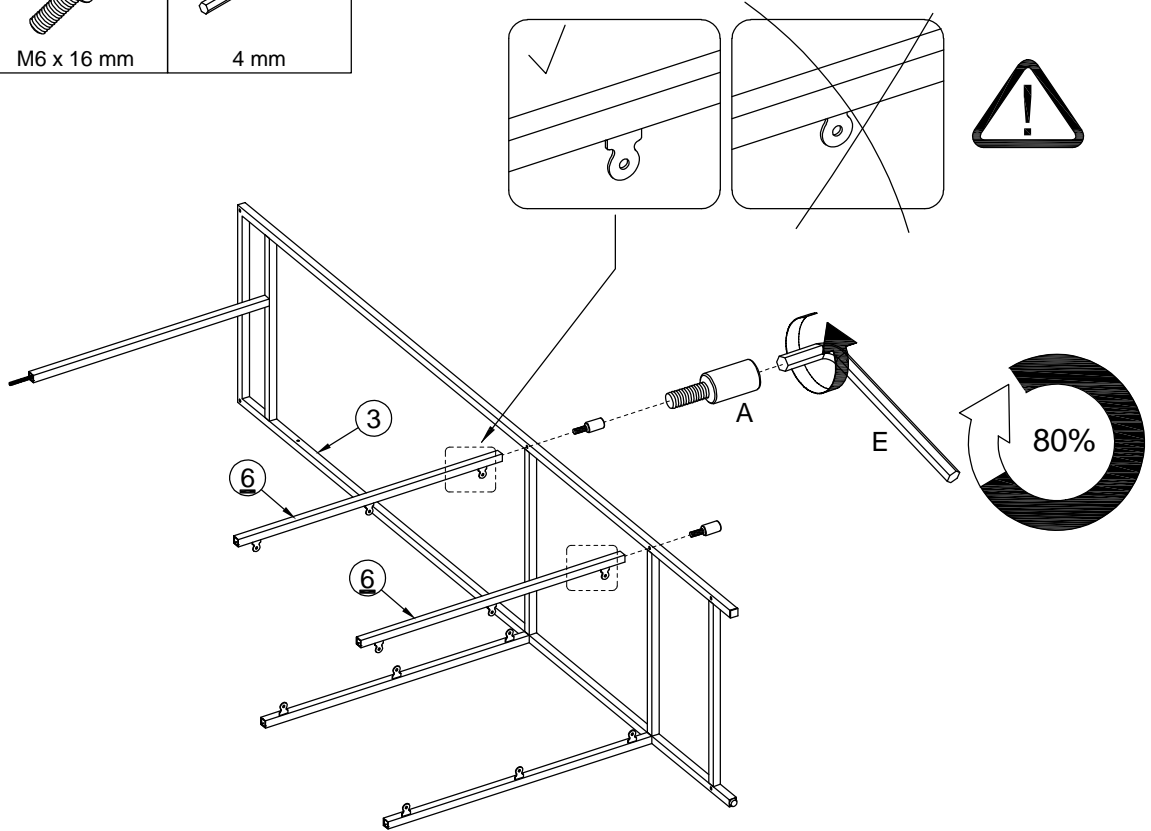
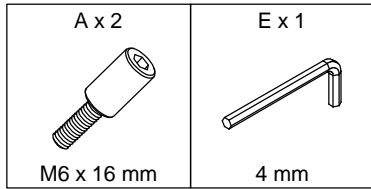
1



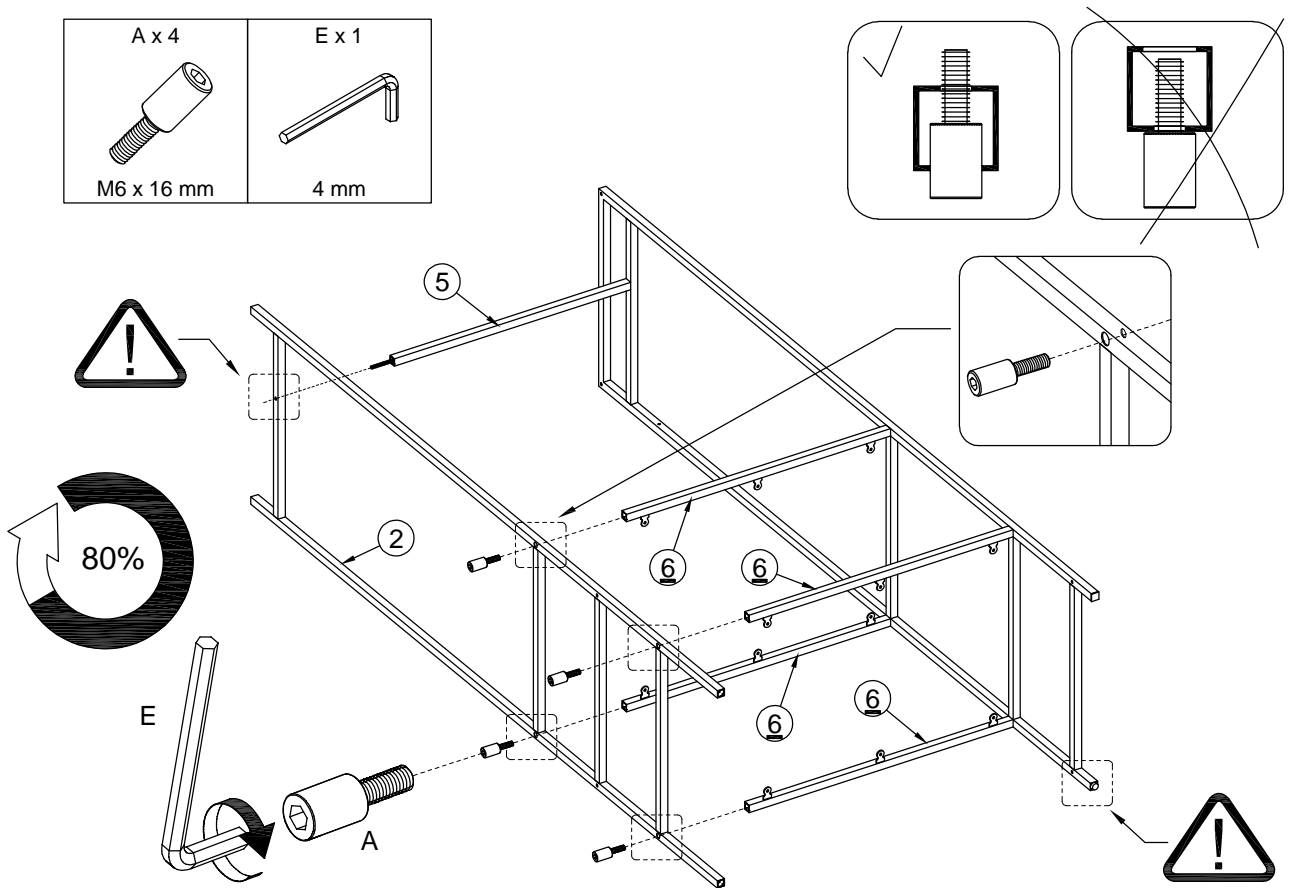
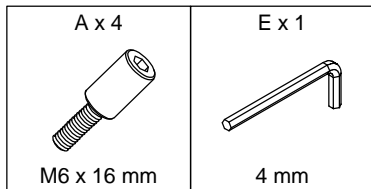
2



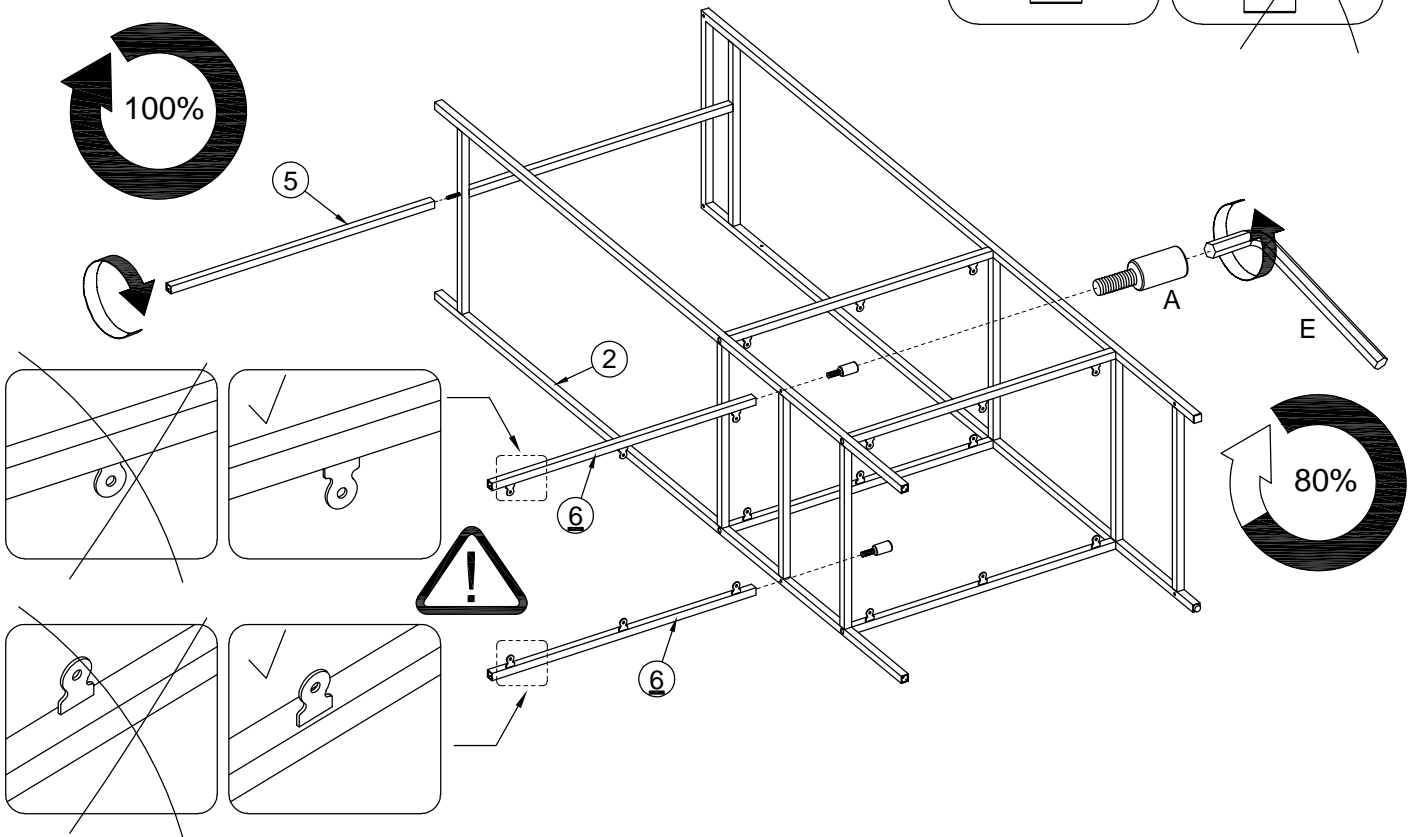
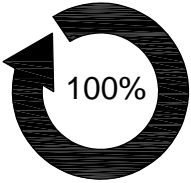
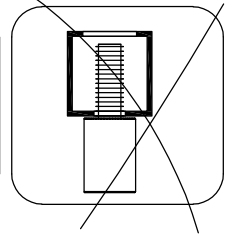
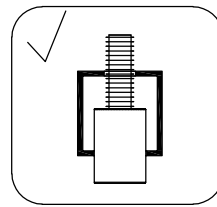
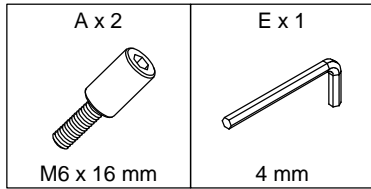
3



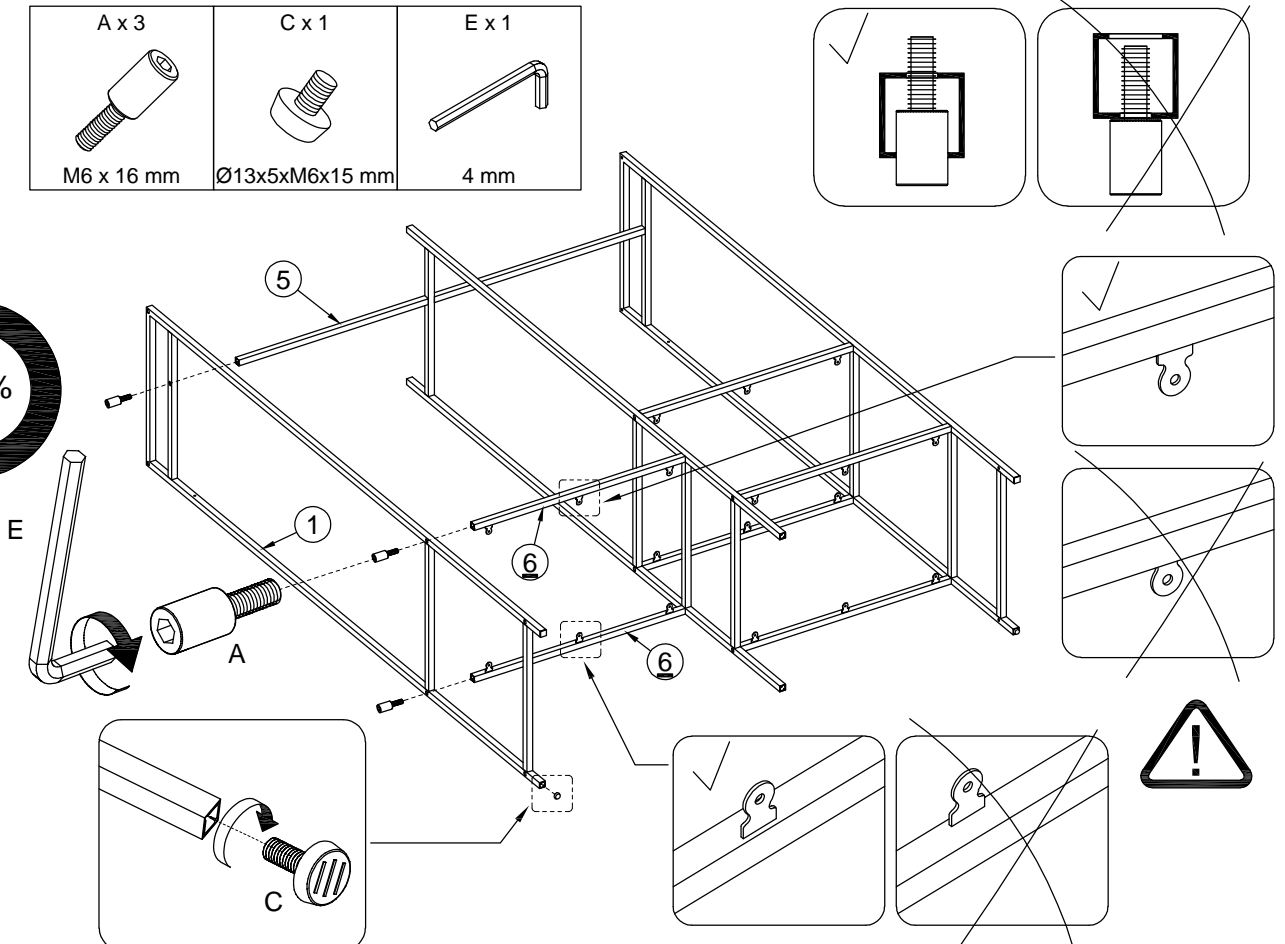
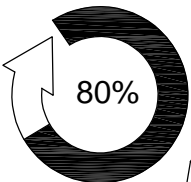
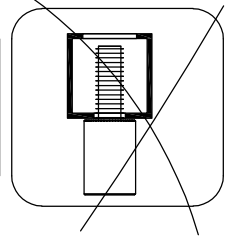
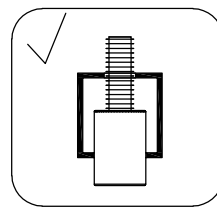
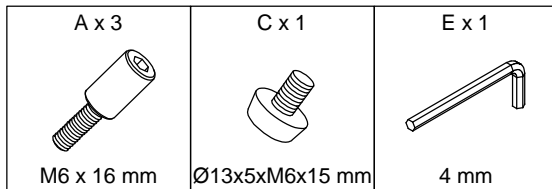
4



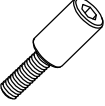

5

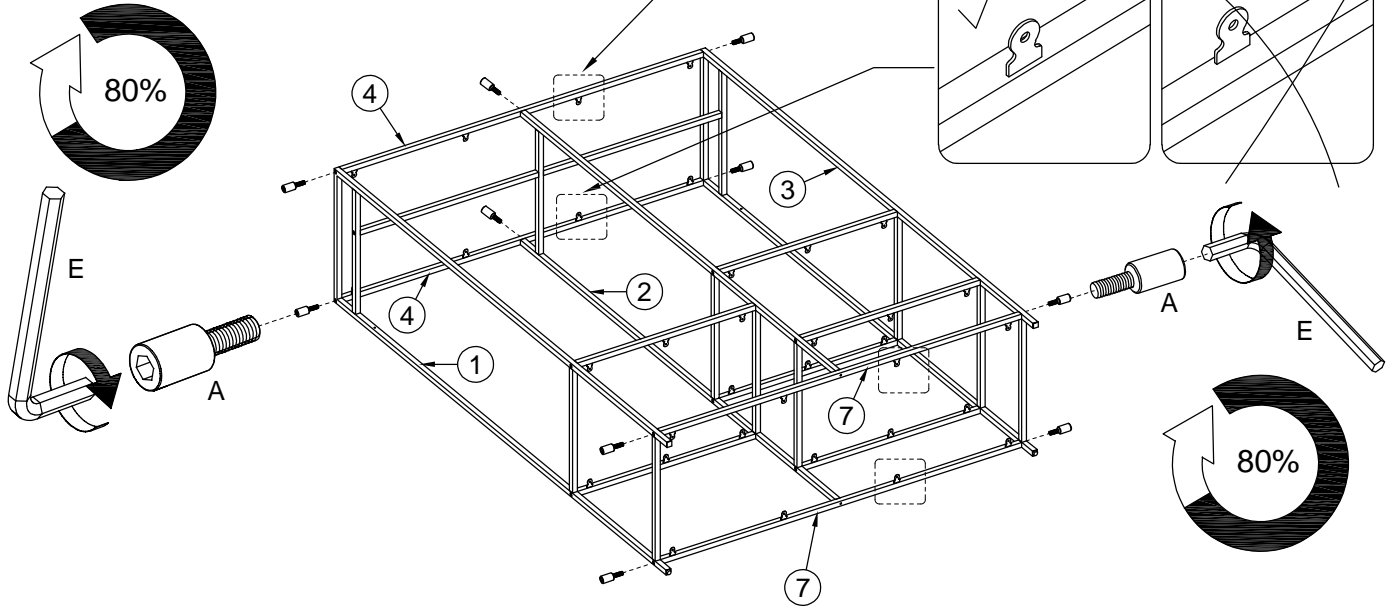


6





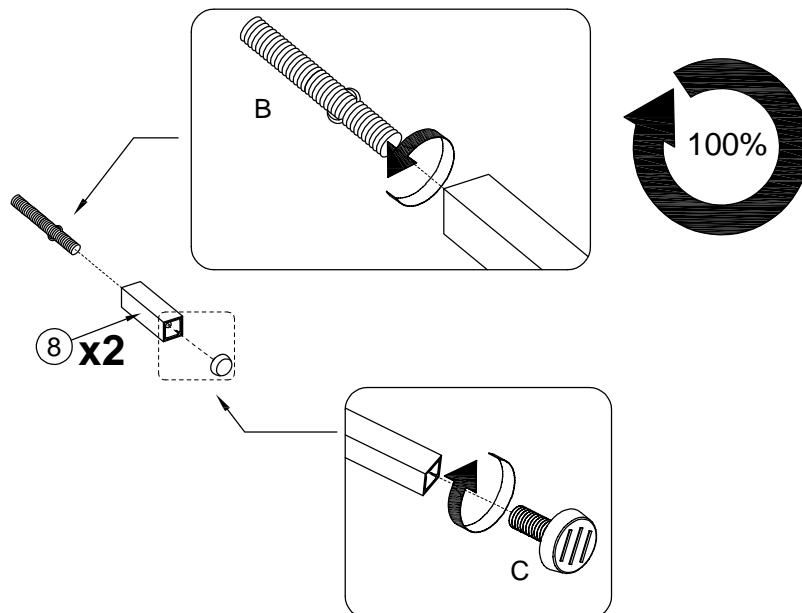
7

A x 10  M6 x 16 mm	E x 1  4 mm
-----------------------------------------------------------------------------------------------------------	----------------------------------------------------------------------------------------------------

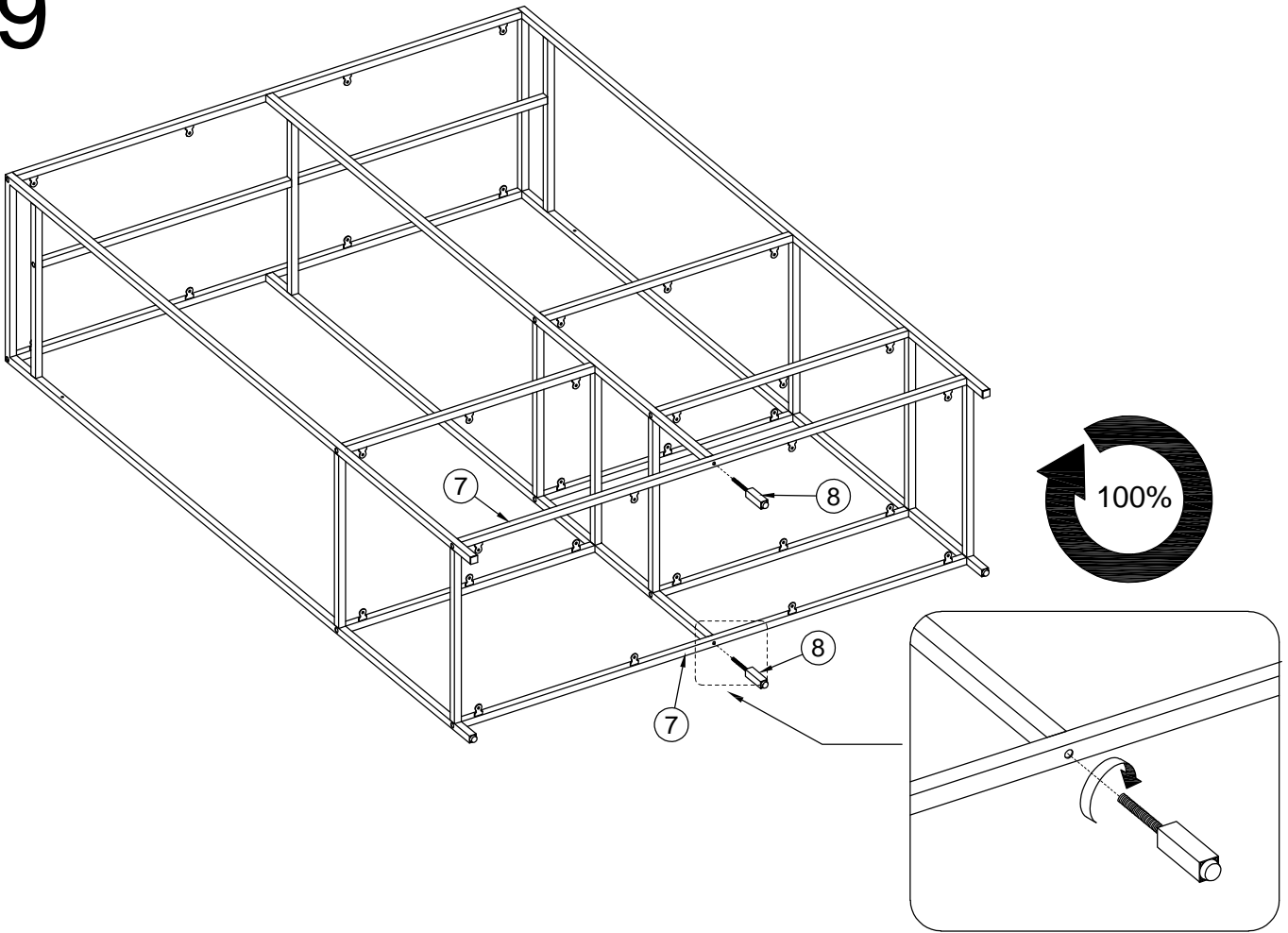


8

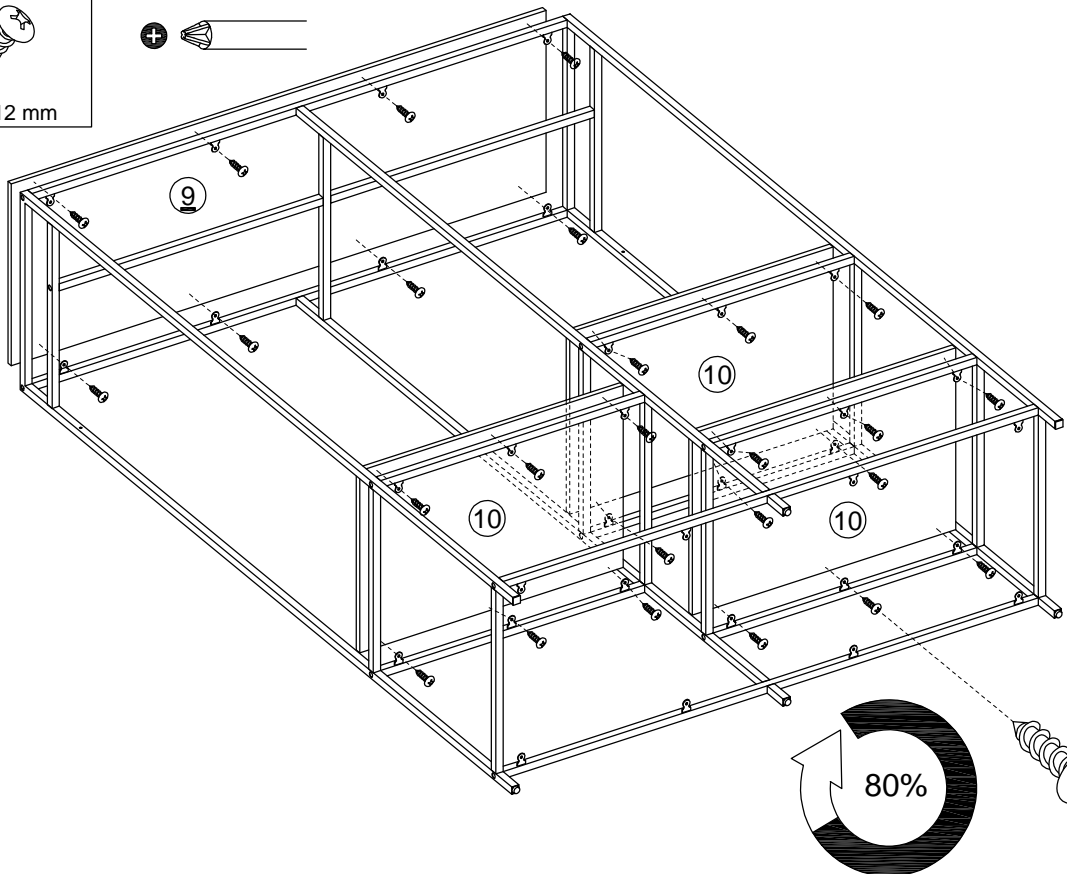
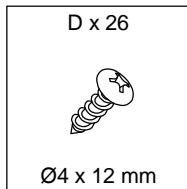
B x 2  M6 x 55 mm	C x 2  Ø13x5xM6x15 mm
------------------------------------------------------------------------------------------------------------	----------------------------------------------------------------------------------------------------------------



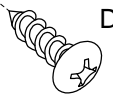
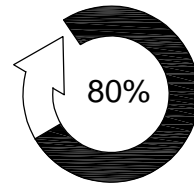
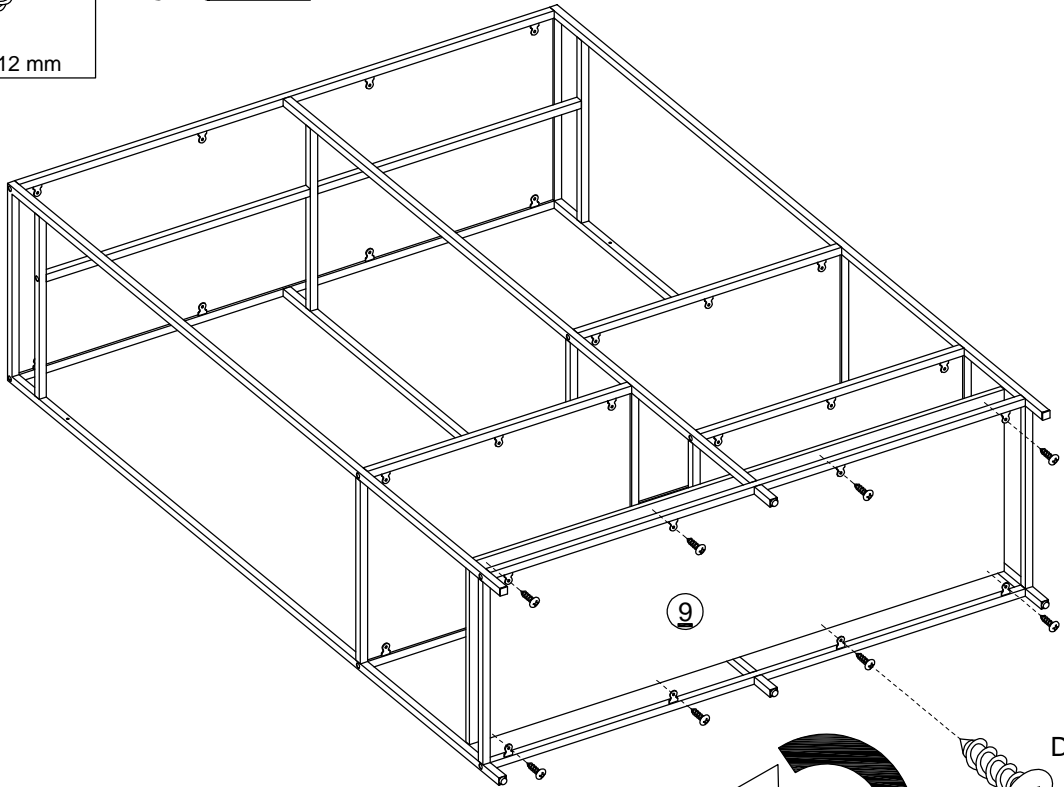
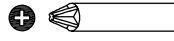
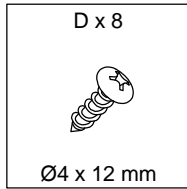
9



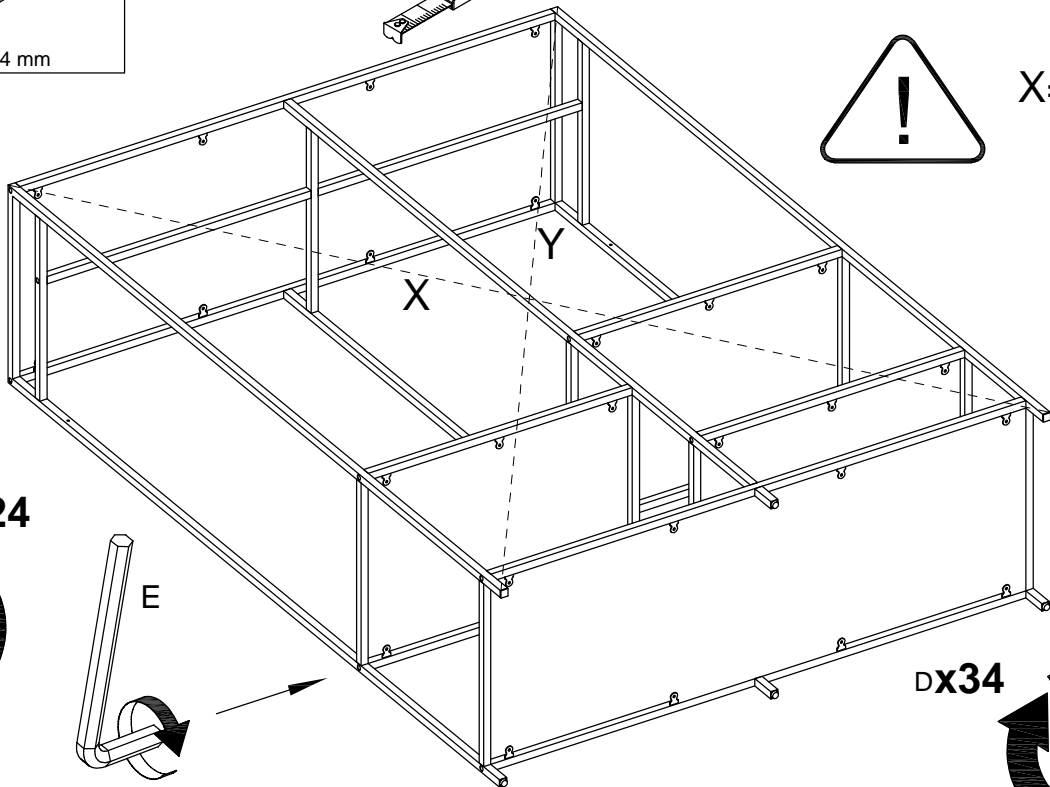
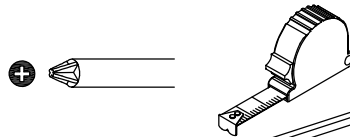
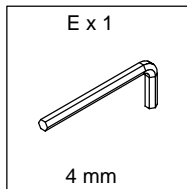
10



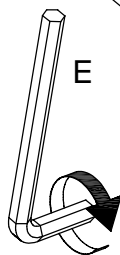
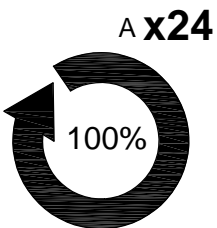
11



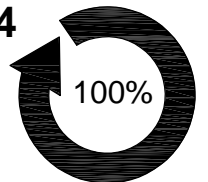
12



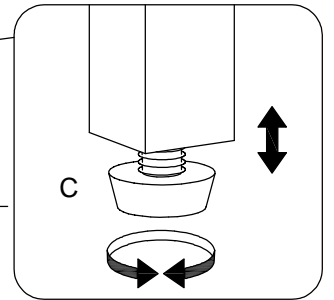
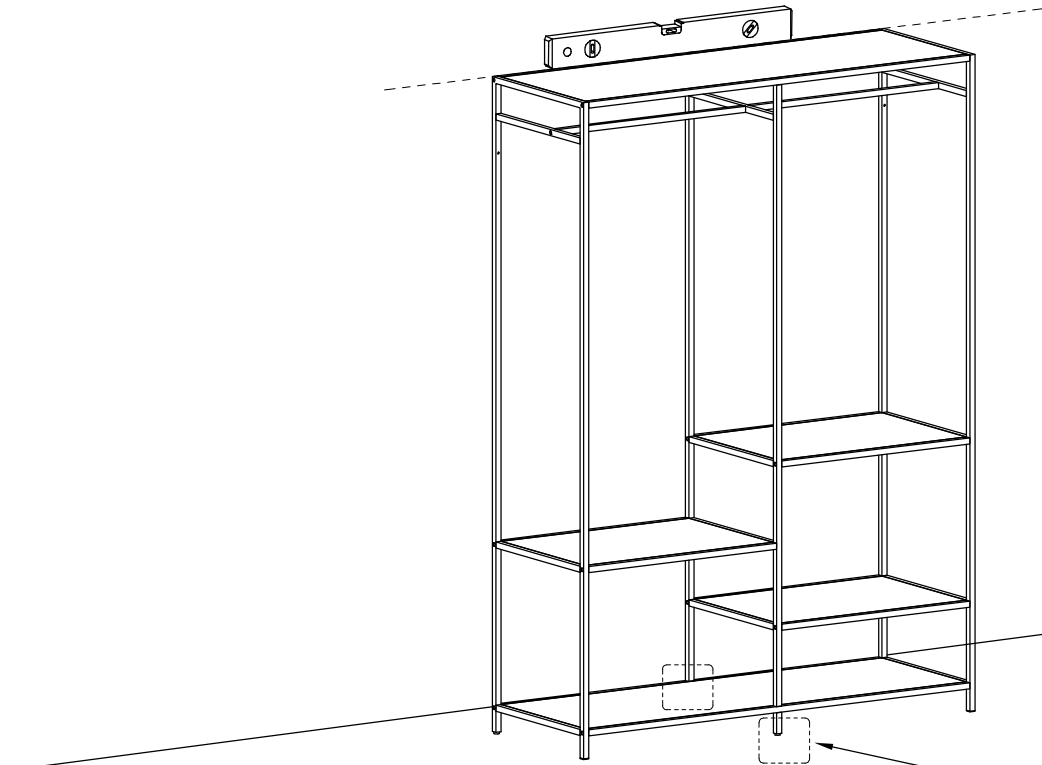
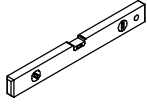
X=Y



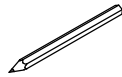
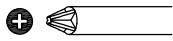
D x 34



13



14



Wall

