

## PRODUCT INFORMATION

Lewis Shelf, Black, Firwood




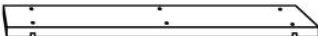

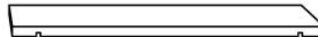






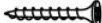
82064366

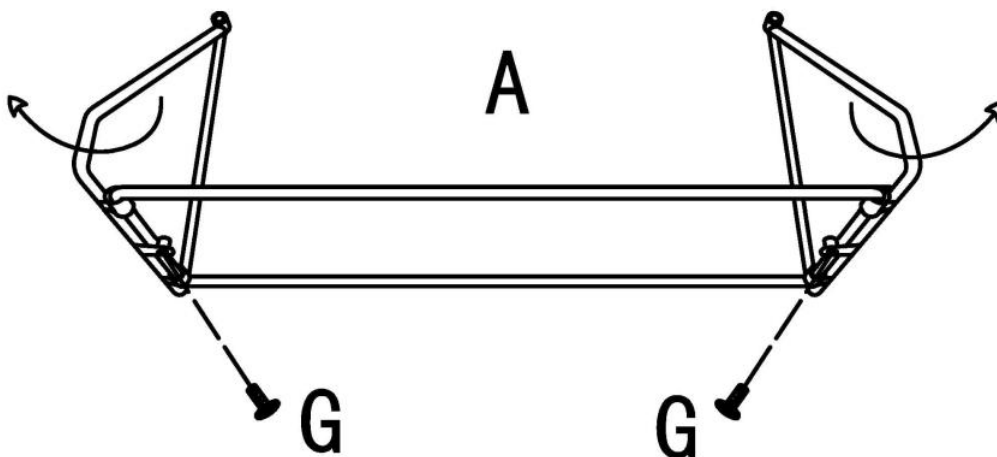


# INSTRUCTION

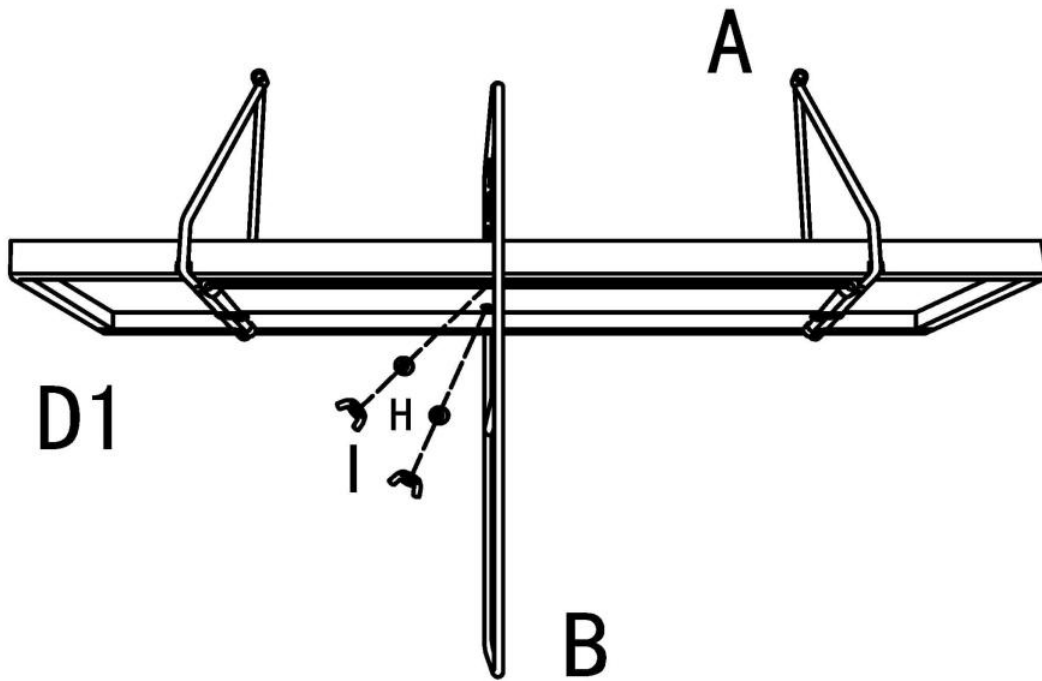
## Step 1

### component list

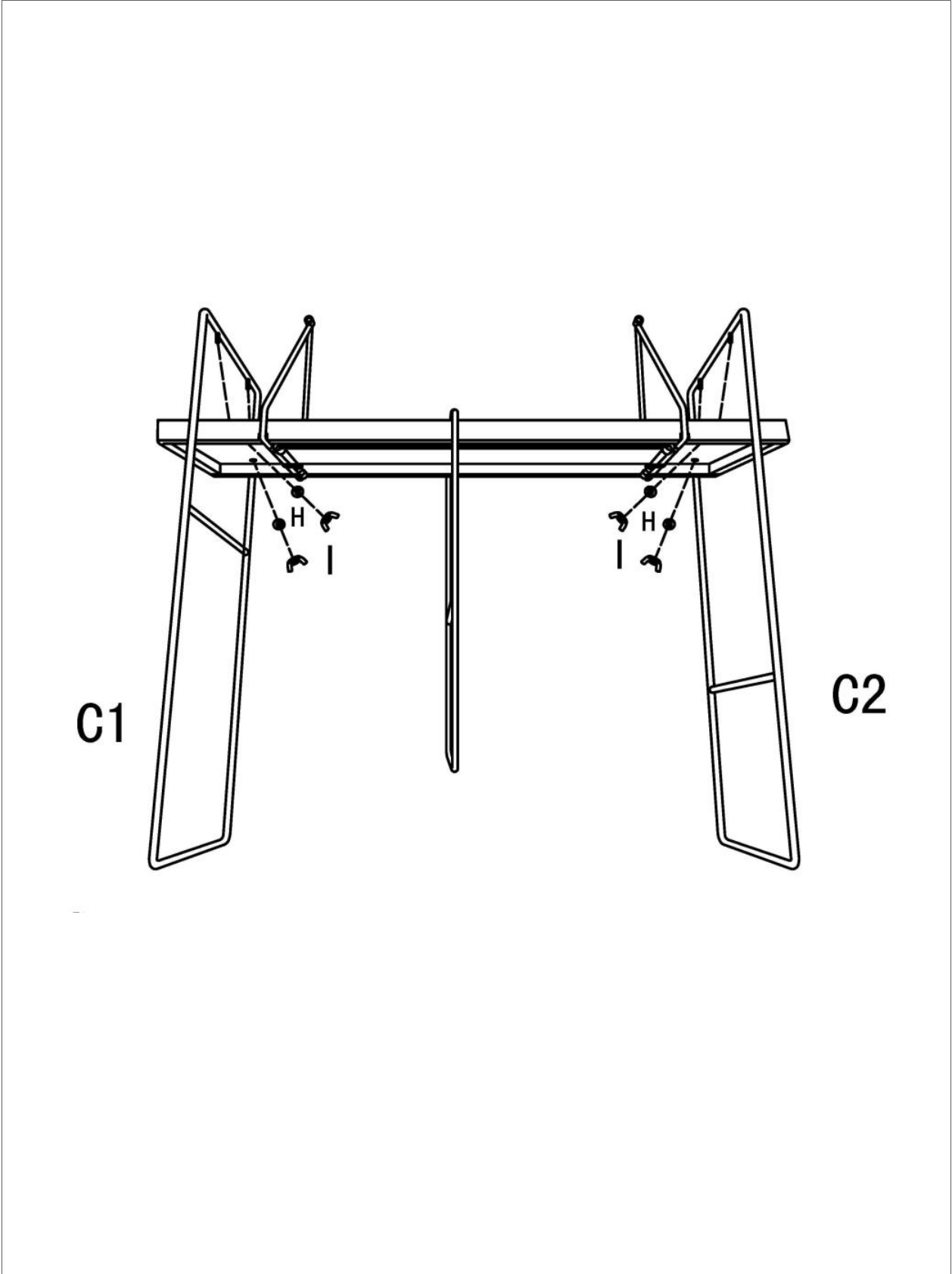
NAME	SKETCH	QTY	NAME	SKETCH	QTY
A		1 PC	B		1 PC
C1		1 PC	D1		1 PC
C2		1 PC	D2		1 PC
E		1 PC	F		1 PC
G	 (4*10mm)	2 PCS	H	 (4*12*1.0mm)	6 PCS
I		6 PCS	J	 (6X29mm)	2 PCS
K	 (4*30mm)	2 PCS			



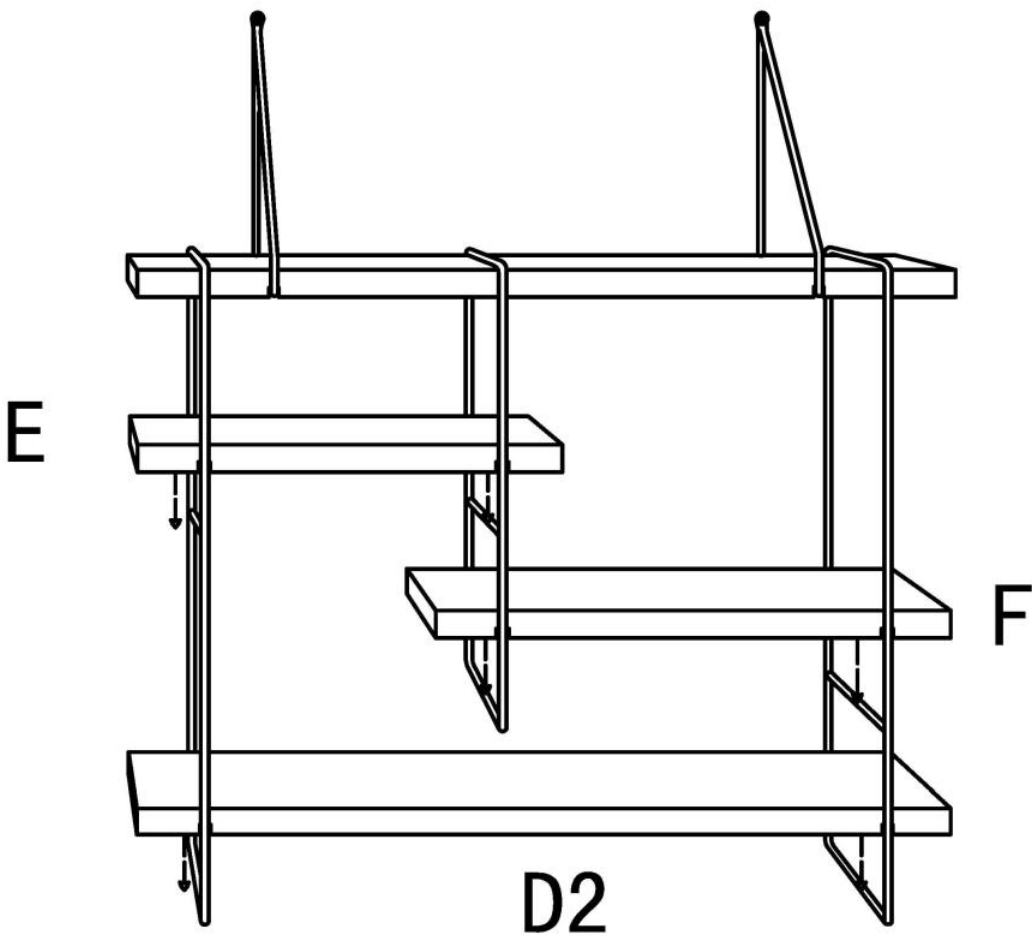
INSTRUCTION  
Step 2



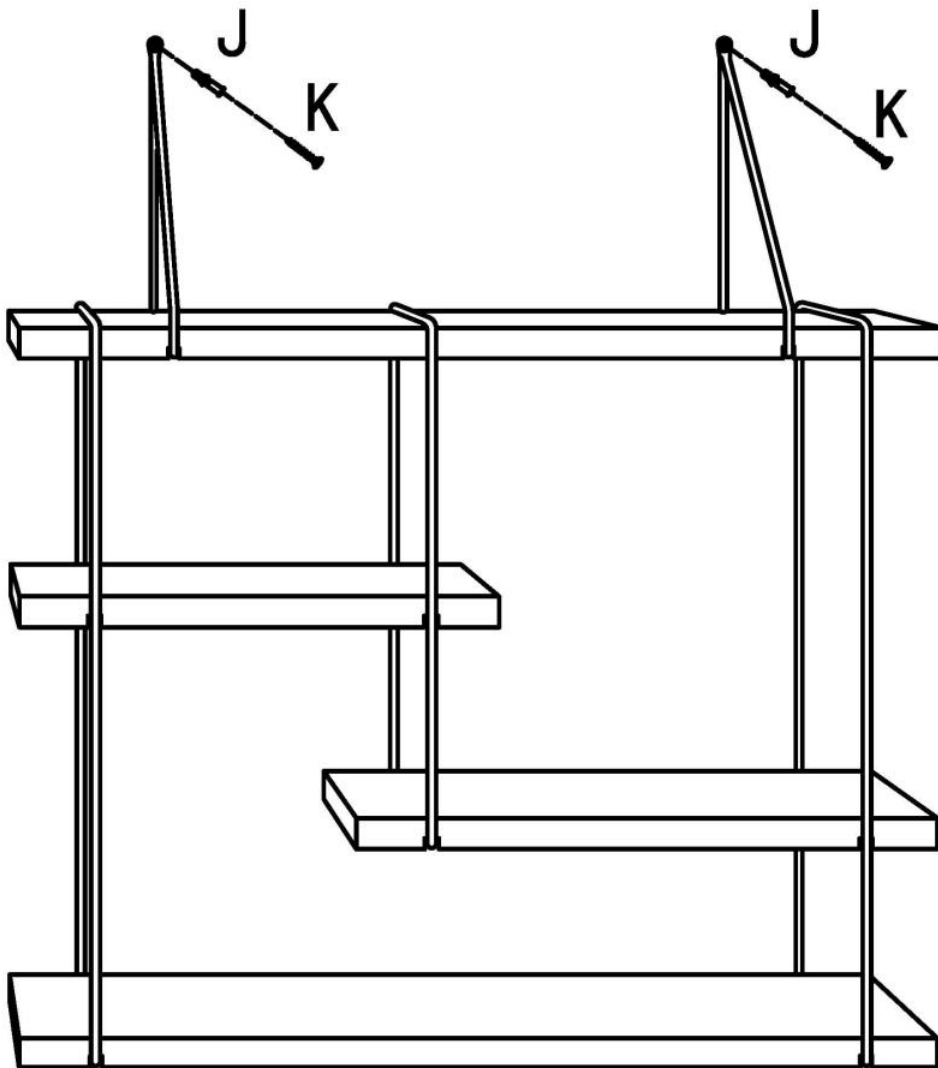
INSTRUCTION  
Step 3



INSTRUCTION  
Step 4



INSTRUCTION  
Step 5



# INSTRUCTION

