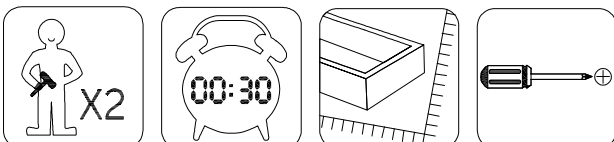
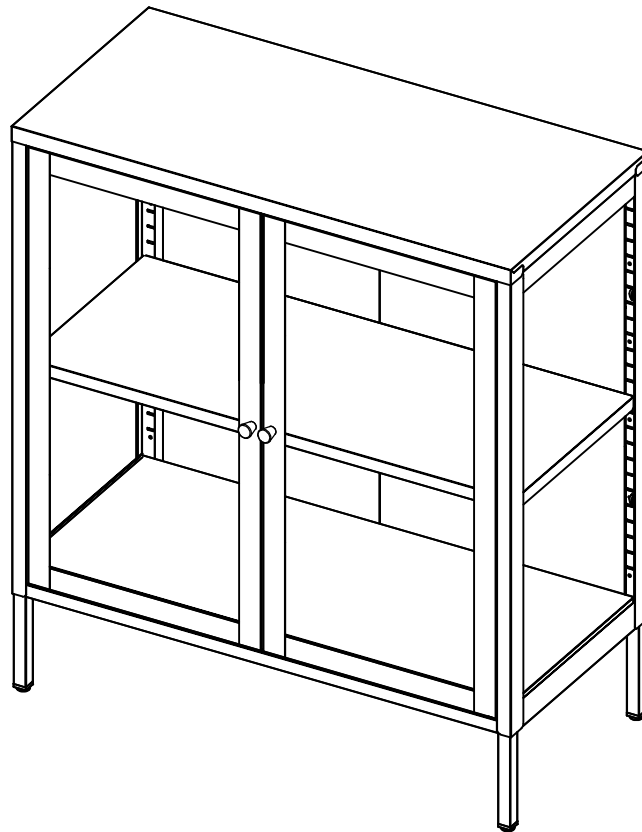
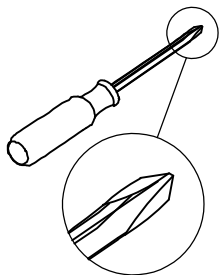
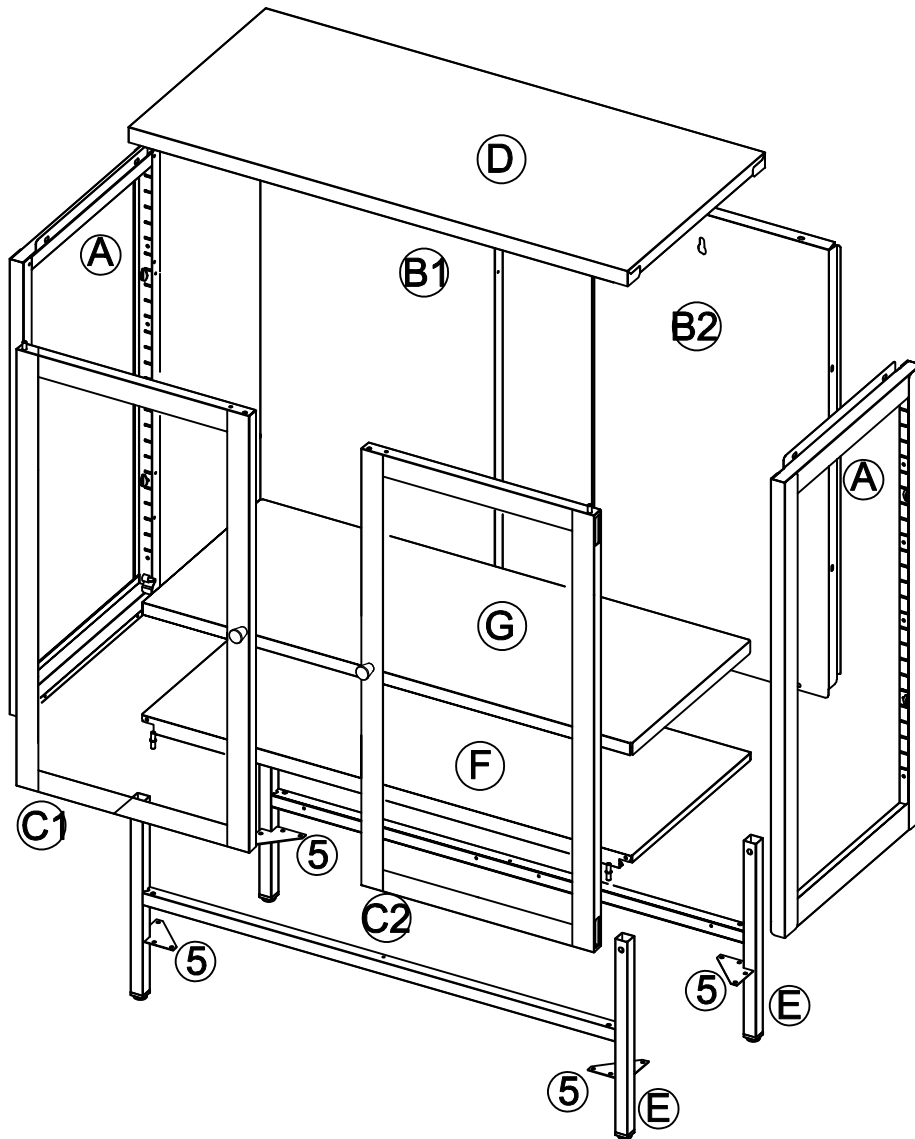


3003015

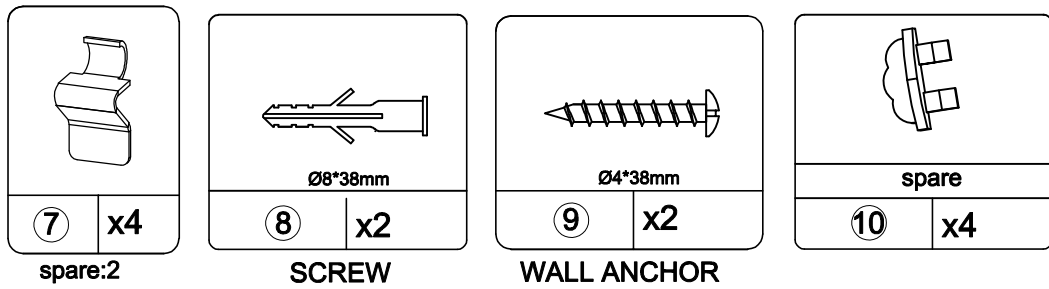
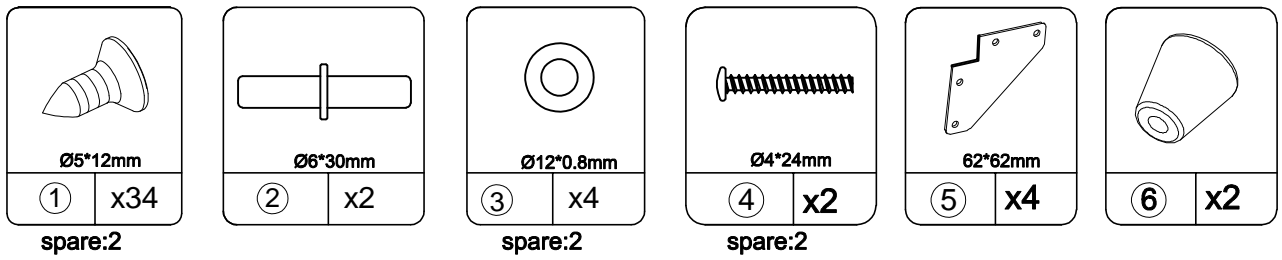
Dalby Cabinet, 2 glass doors, black metal



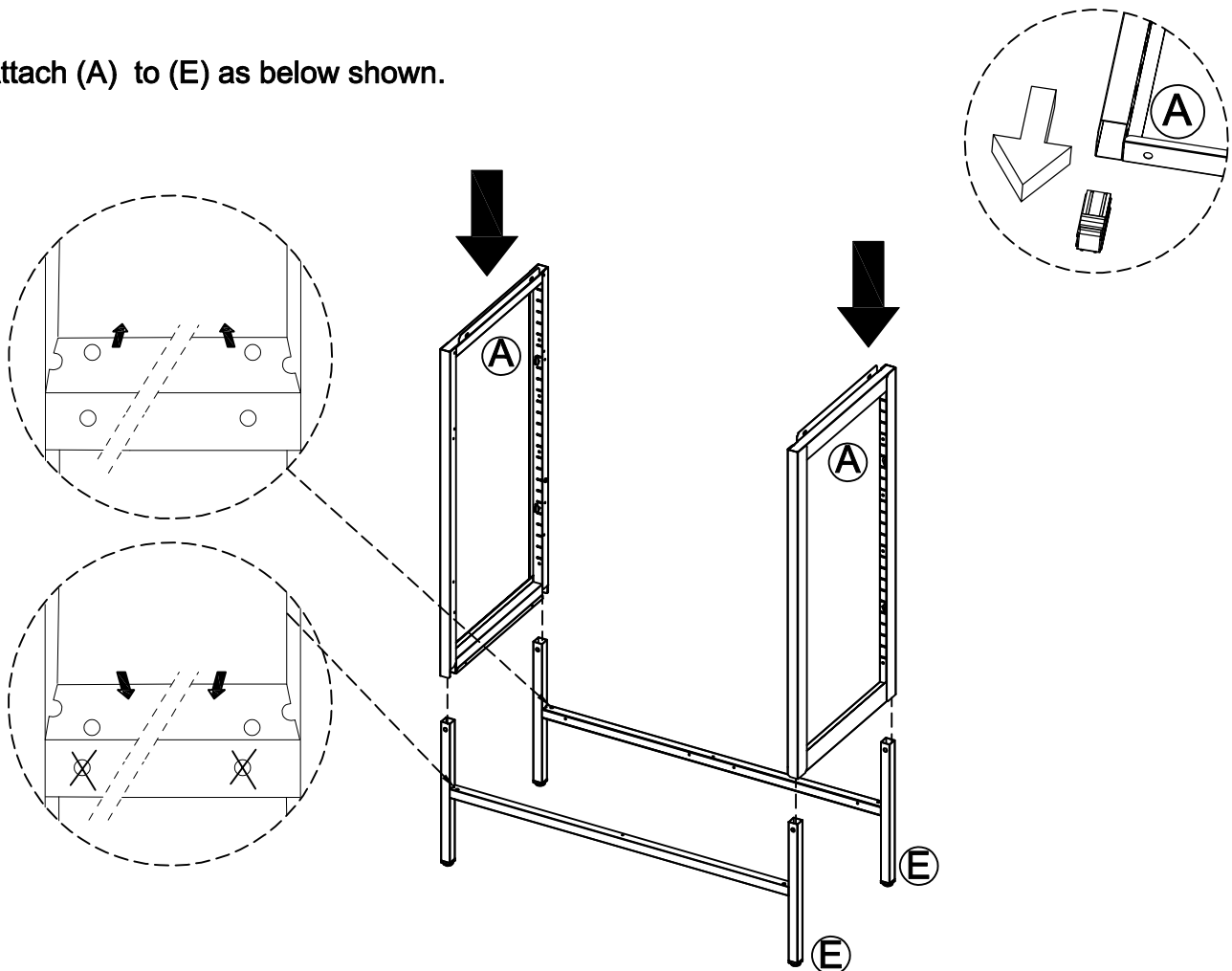


| | | |
|----------|---------|---|
| Hardware | Ctn No. | 1 |
|----------|---------|---|

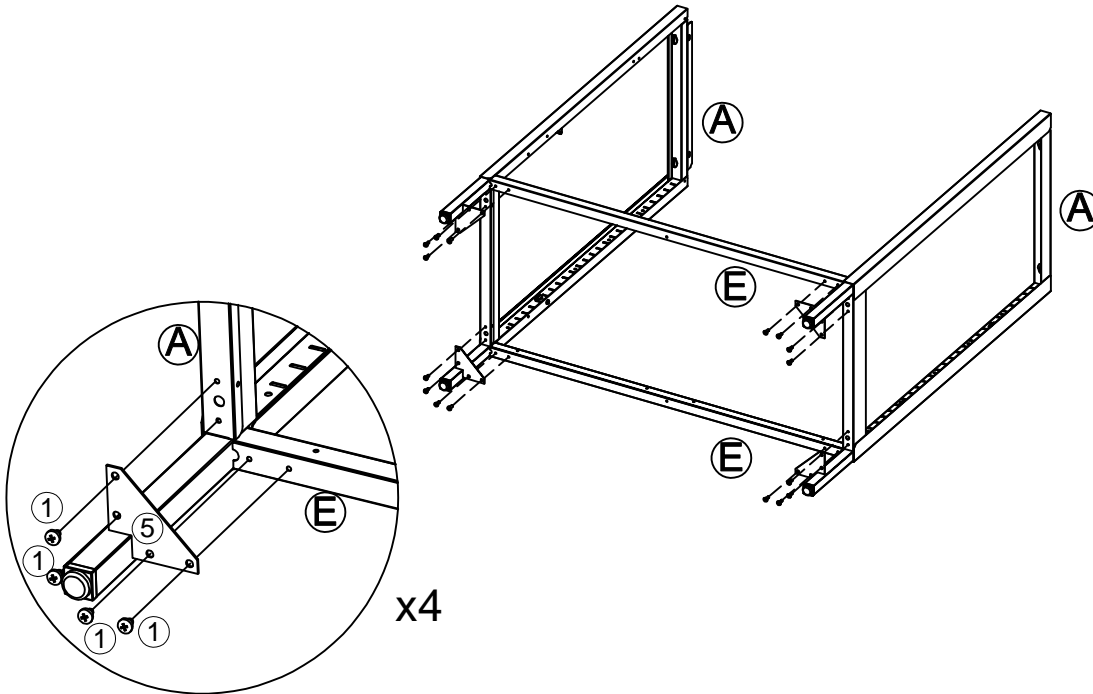
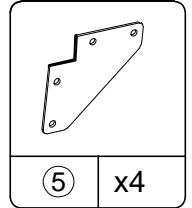
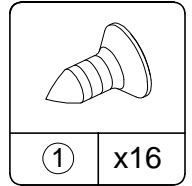
| No. | Size | Qty |
|-----|------------------|-----|
| A | 698x350x24mm | 2 |
| B1 | 669.5x384.5x23mm | 1 |
| B2 | 669.5x380x23mm | 1 |
| C1 | 651x373.5x20mm | 1 |
| C2 | 651x373.5x20mm | 1 |
| D | 801x351.5x38mm | 1 |
| E | 265x797x20mm | 2 |
| F | 786x301x25mm | 1 |
| G | 786x300x20mm | 2 |



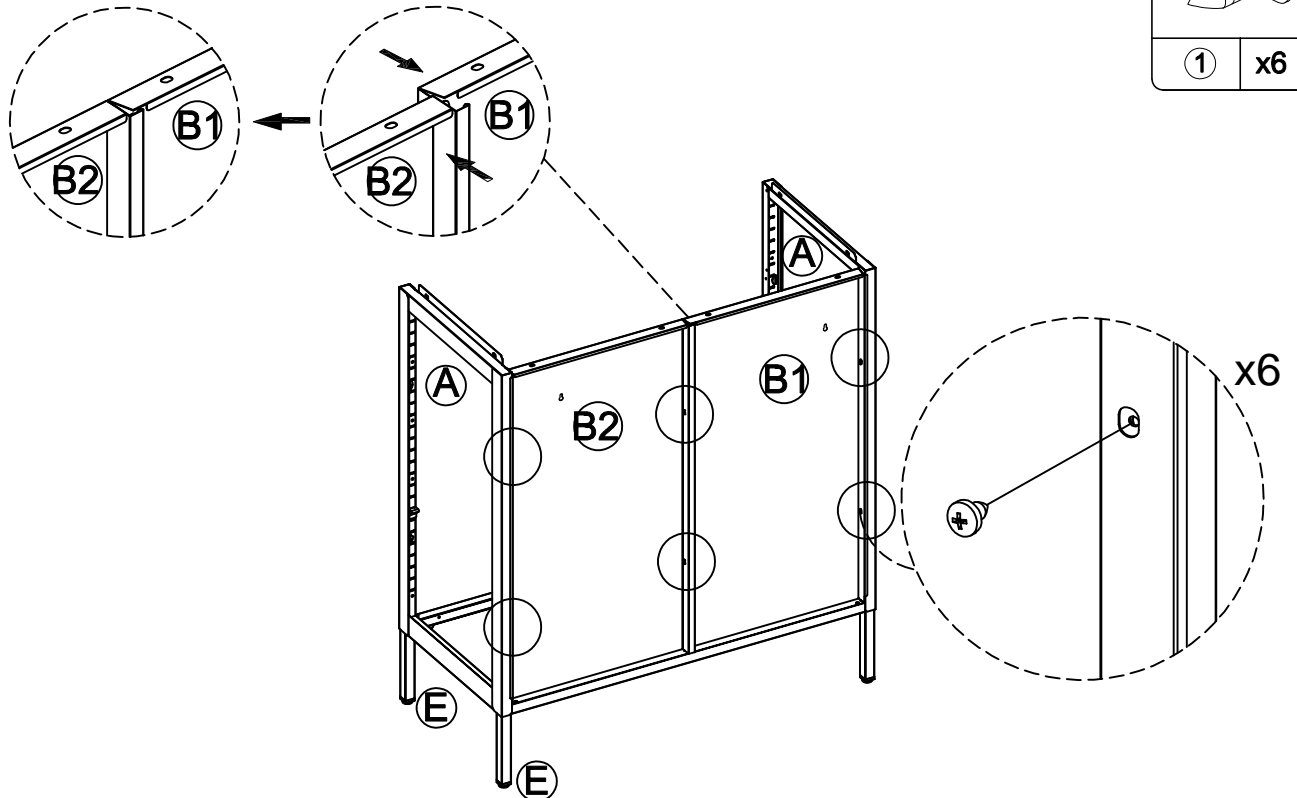
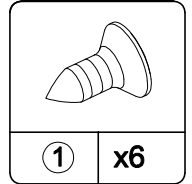
(1) - Attach (A) to (E) as below shown.



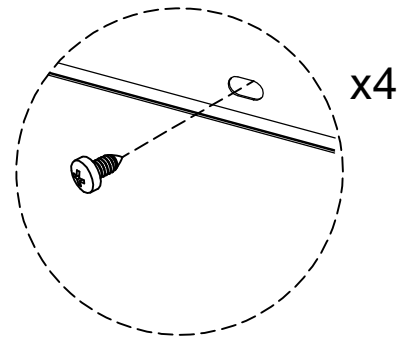
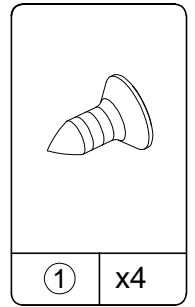
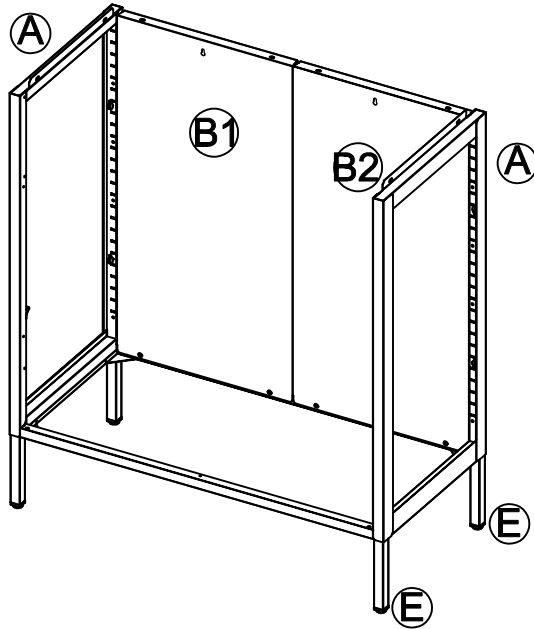
(2) - Attach ⑤ to (A)&(E) as below shown.



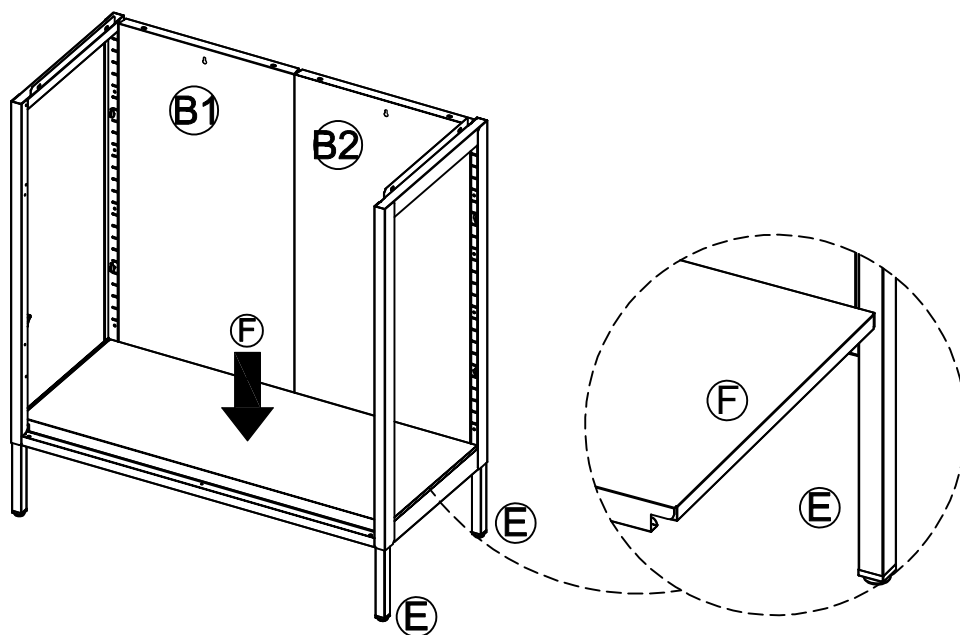
(3) - Attach (B1) & (B2) to (A) as below shown.



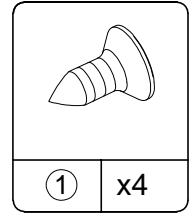
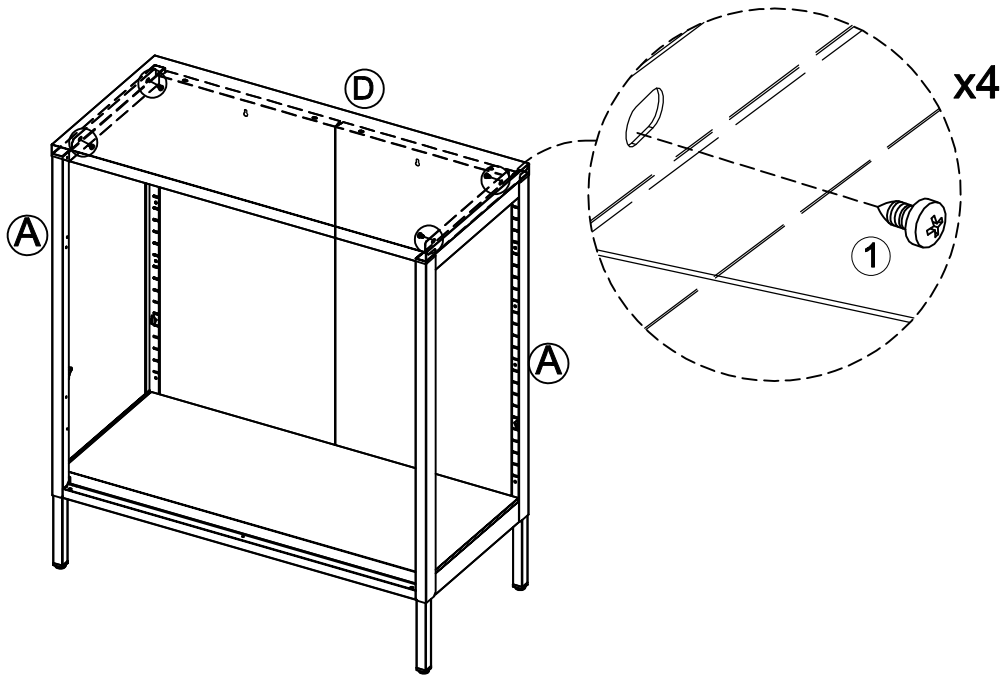
(4) - Attach (B) to (A) & (E) as below shown.



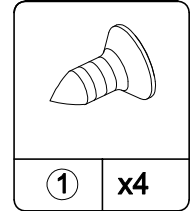
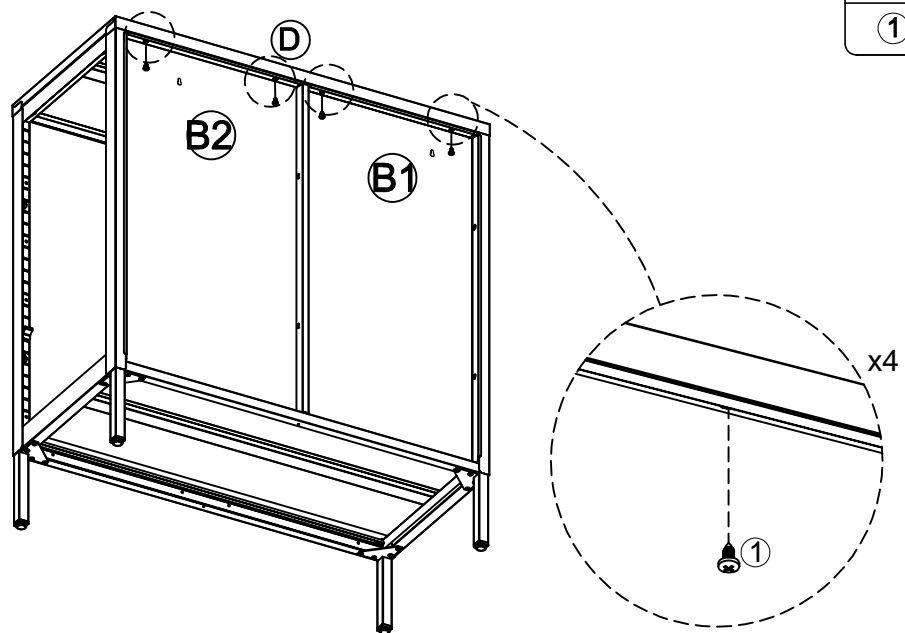
(5) - Attach (F) to (A) & (B) & (E) as below shown.



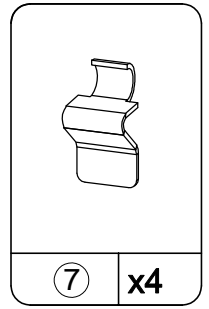
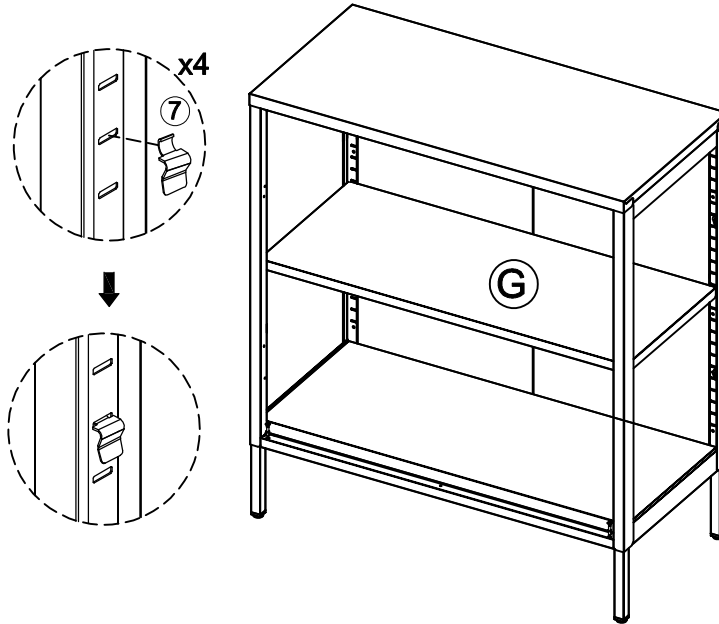
(6) - Attach (D) to (A) as below shown.



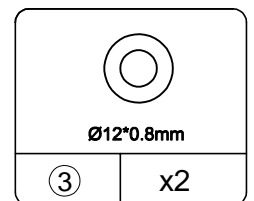
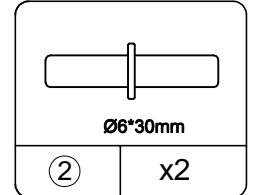
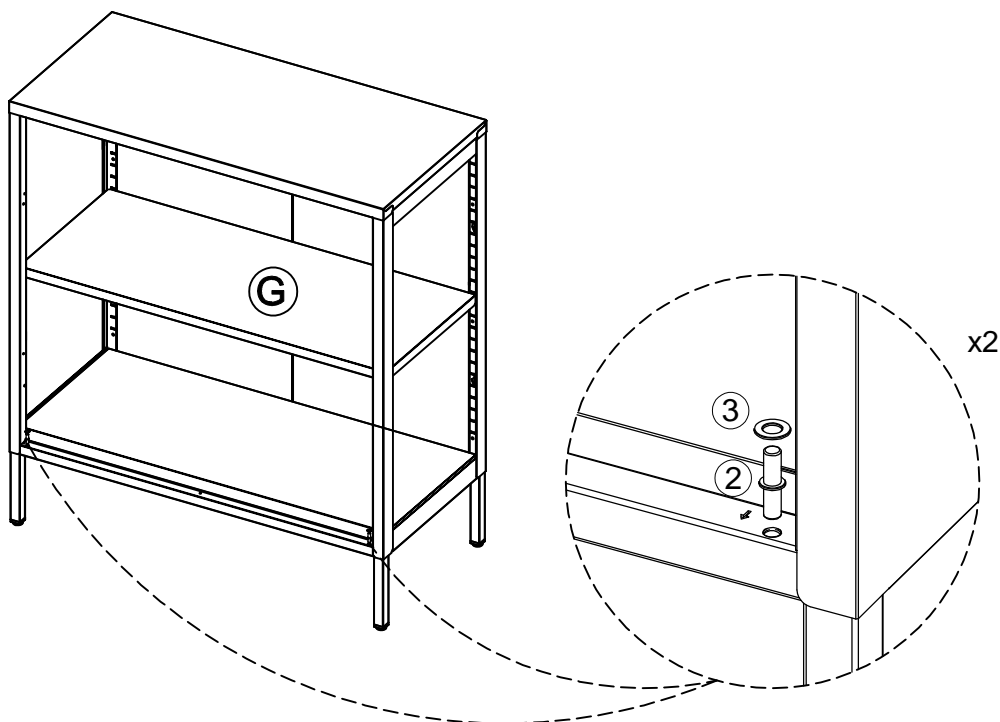
(7) - Attach (B) & (8) to (D) as below shown.



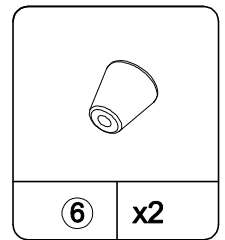
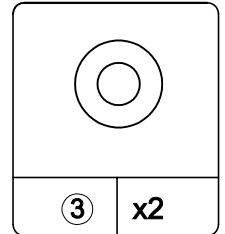
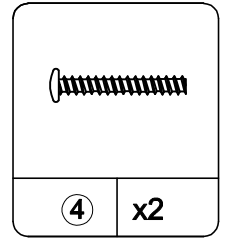
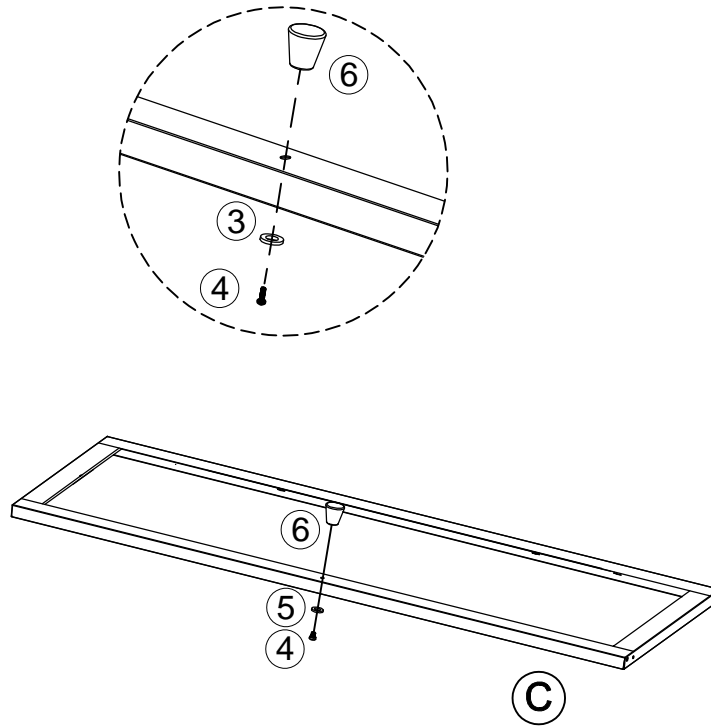
(8) - Attach (G) to pre-assembled unit as below shown.



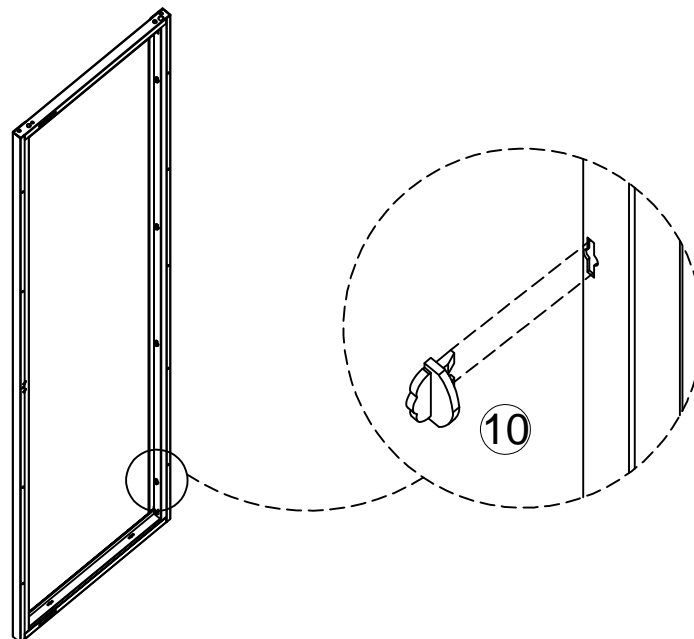
(9) - Attach (2) & (3) to pre-assembled unit as below shown.



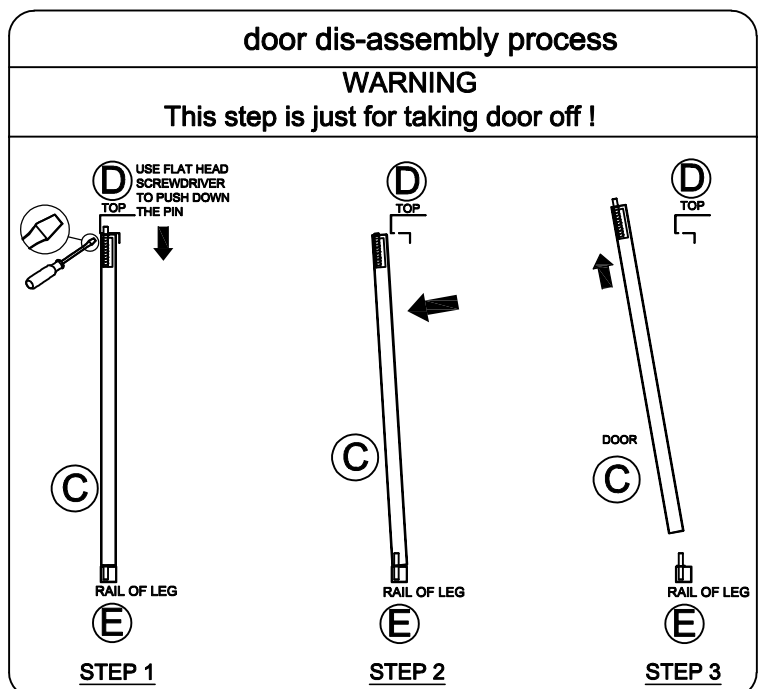
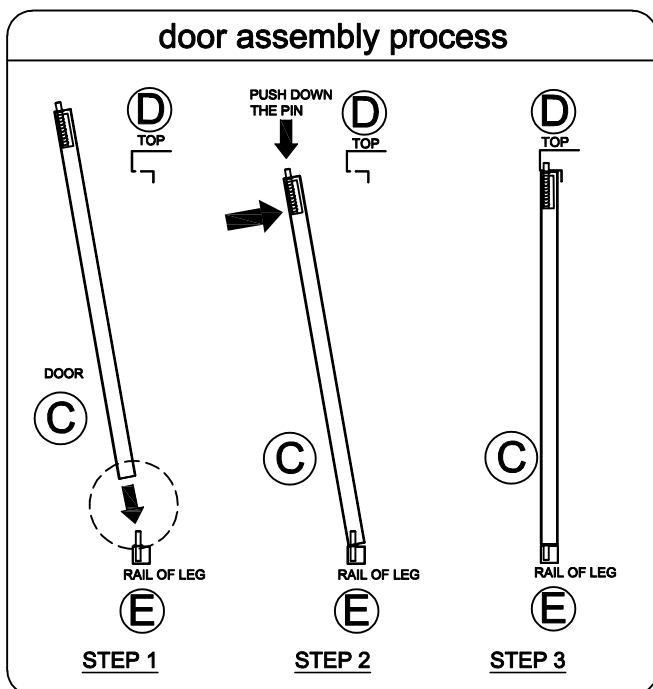
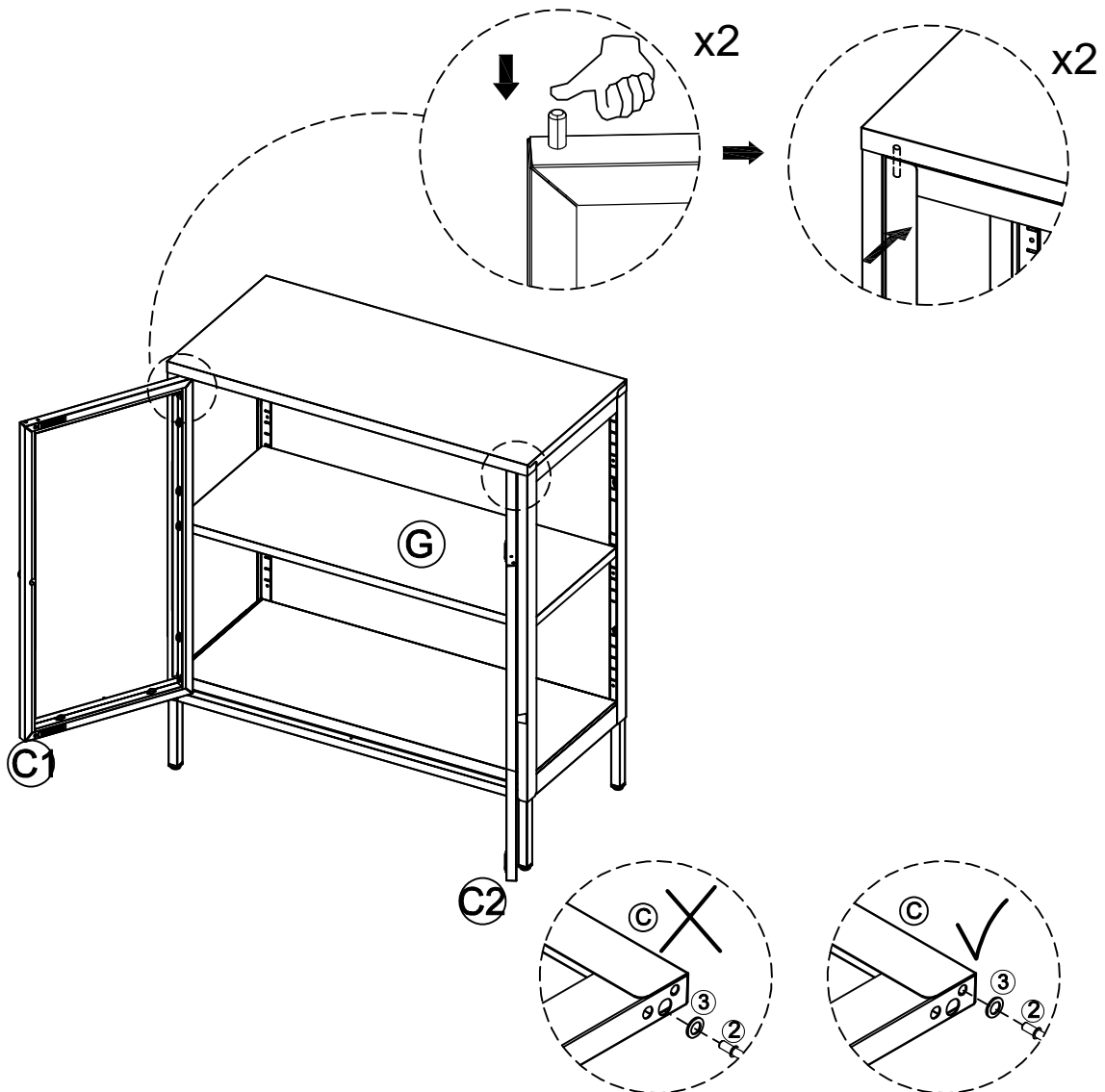
(10)- Attach (6) to (C) as below shown.



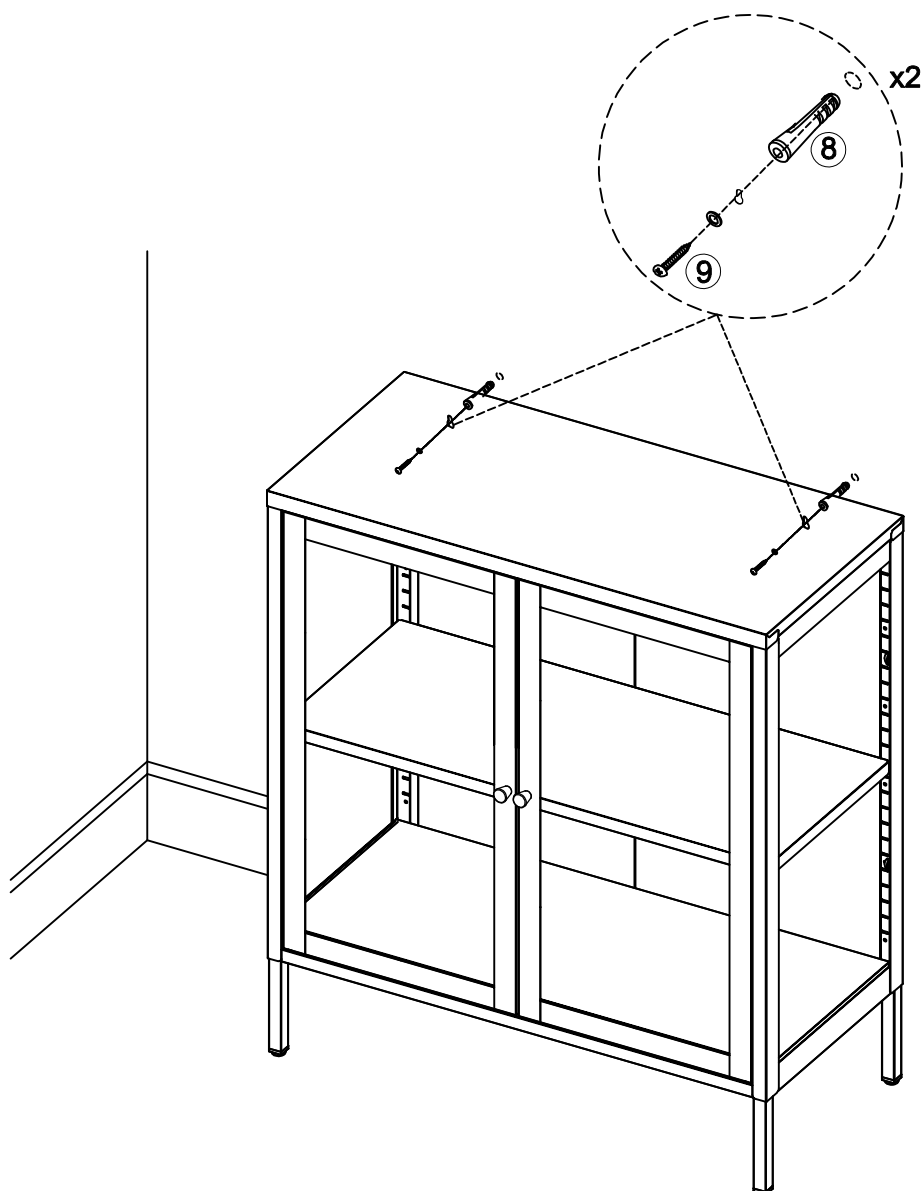
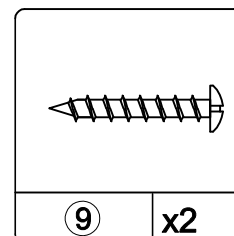
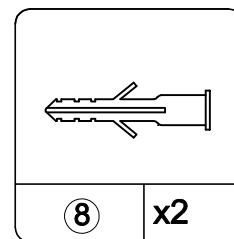
spare parts of glass buckle



(11) - Attach (C) to pre-assembled unit as below shown.



(12)



Gaps may appear between the top of the doors and the frame if the item is not on level ground; use the plastic foot cover to level.