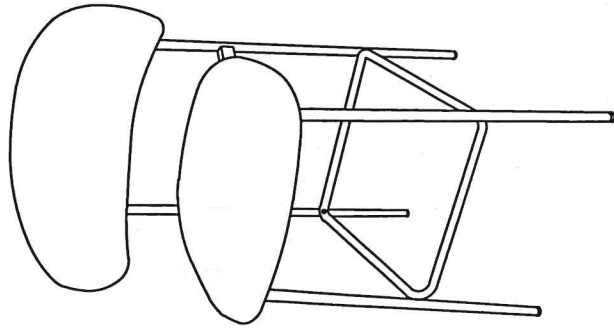


3022's

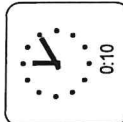
014411

ASSEMBLY INSTRUCTIONS

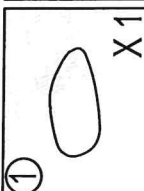
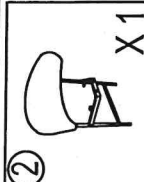
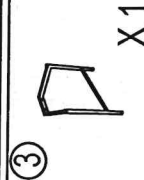
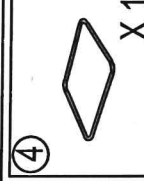






DINING CHAIR MODEL#: UDC23054-1



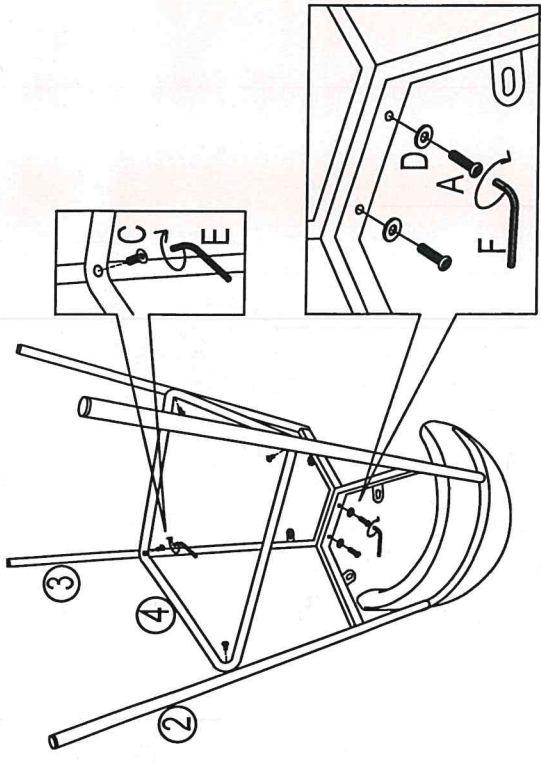
X1



0:10

 ① X1	 ② X1	 ③ X1	 ④ X1	 A M6*35 X 2	 B M6*18 X 4	 C M6*25 X 4	 D X6	 E 4# X1
 F 5# X1								

1



2

