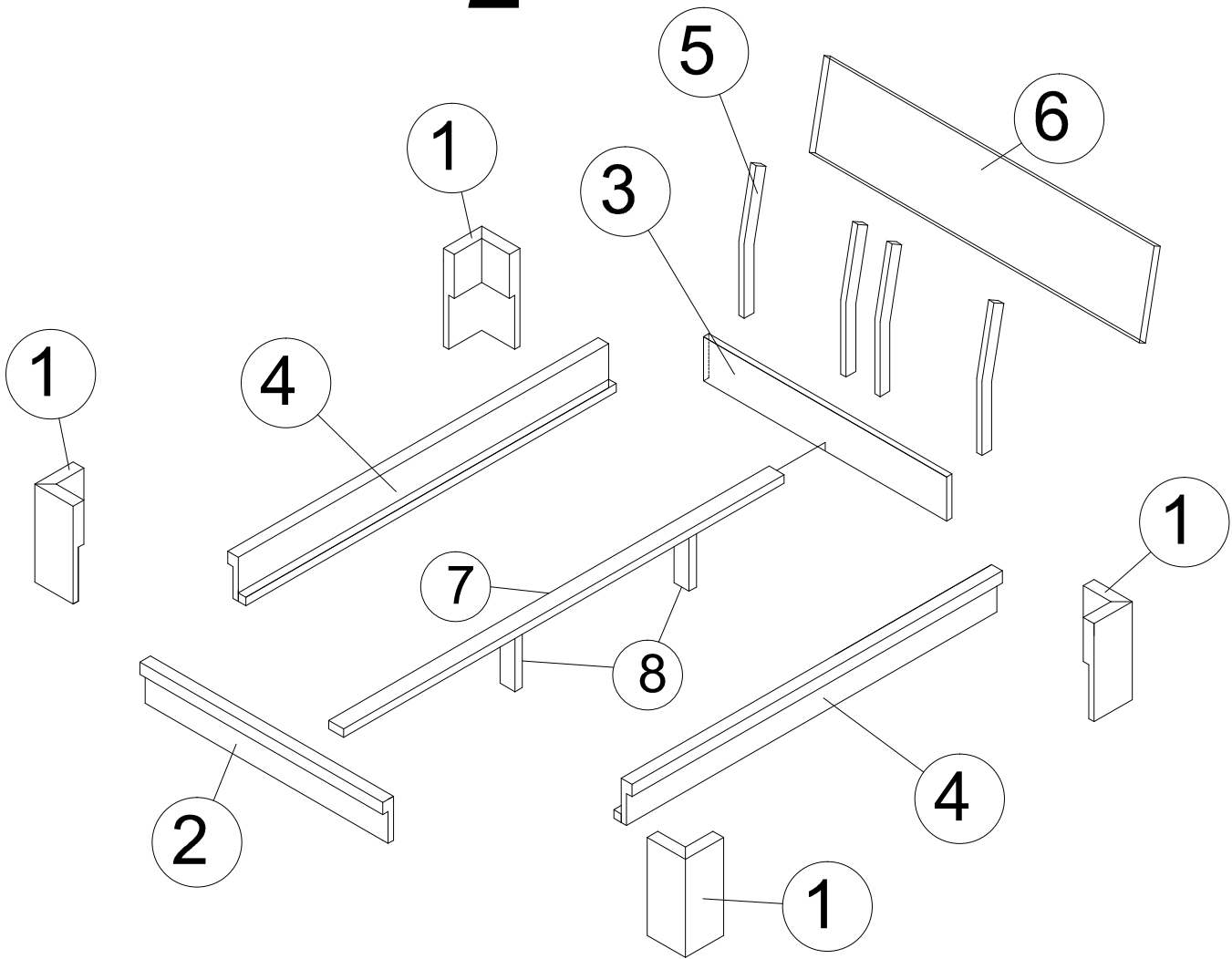
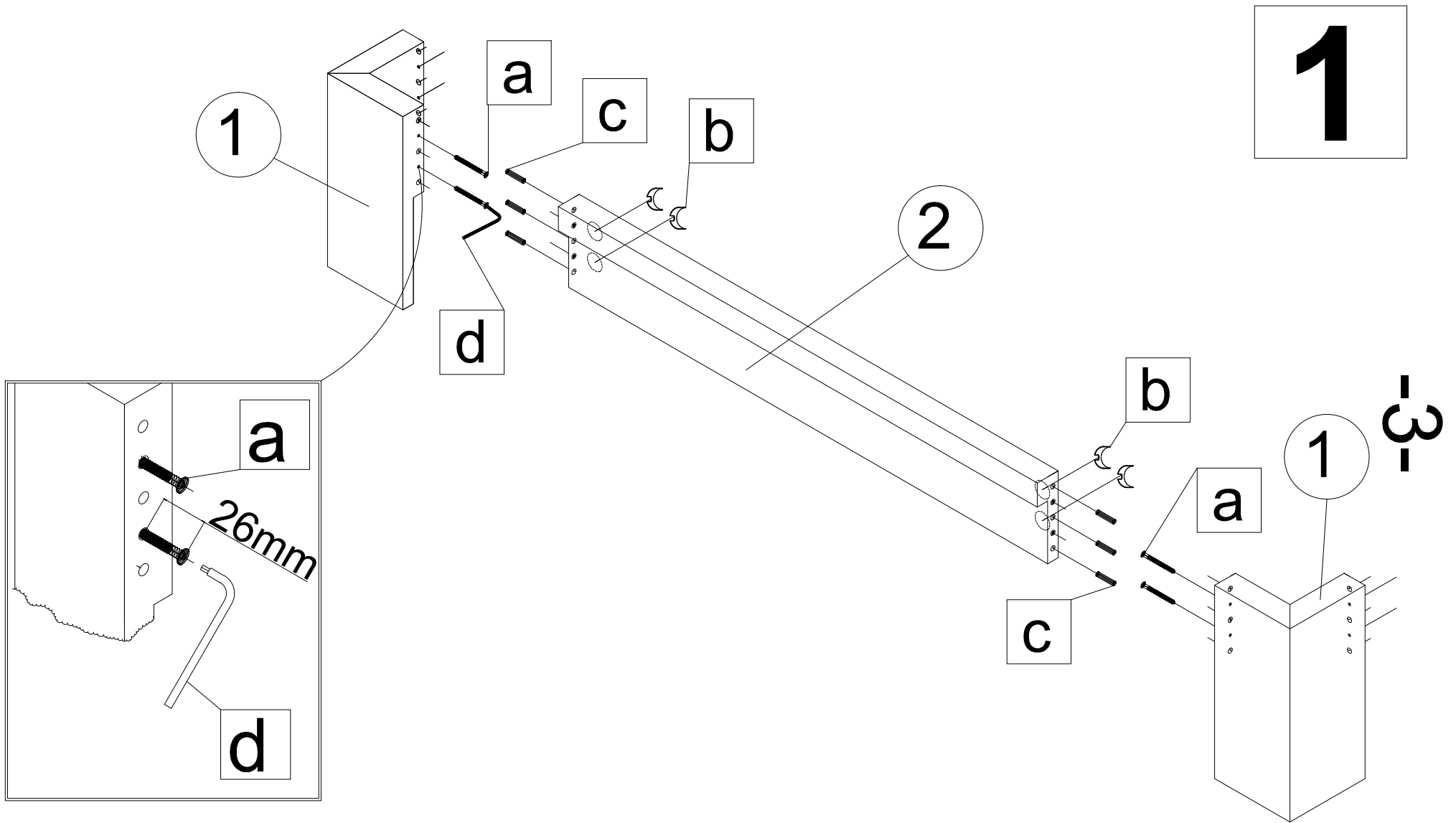




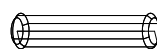
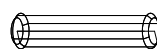




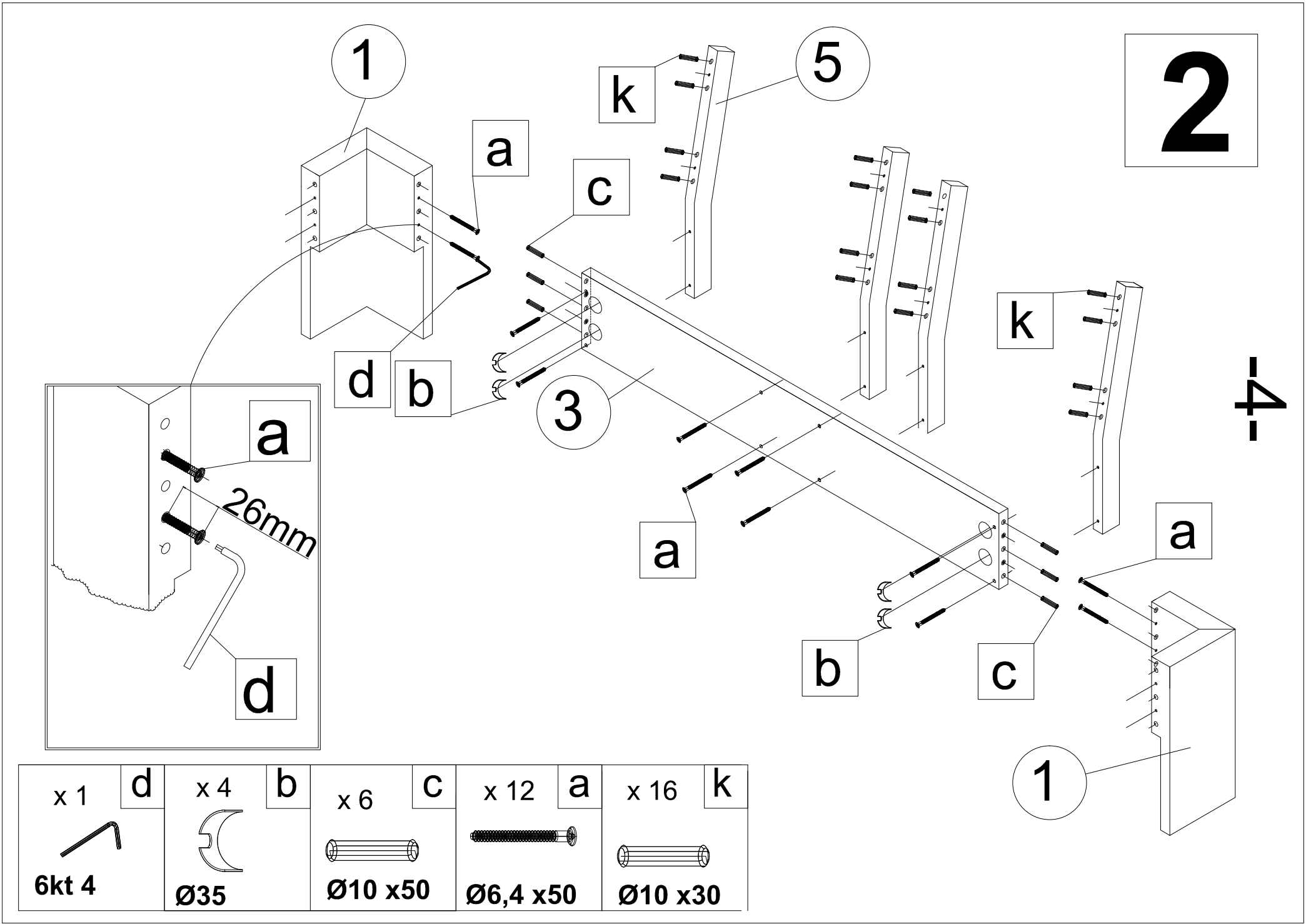
-2-



TEILE -NR	ANZAHL	MASS H X B X T(MM)	
1	4	172,5 x 400 x172,5	
2	1	180 X 1145 X 20/45-,,140,, 180X 1345 X 20/45-,,160,,	180X 1545 X 2045-,,180,, 180 X 1745 X 20/45-,,200,,
3	1	180 X 1145 X 20-,,140,, 180X 1345 X 20-,,160,,	180X 1545 X 20-,,180,, 180 X 1745 X 20-,,200,,
4	2	180 X 1745 X 20/45	
5	4	595 x 40 x25	
6	1	400 X 1455 X 20-,,140,, 400 X 1655 X 20-,,160,,	400 X 1855 X 20-,,180,, 400 X 2055 X 20-,,200,,
7	1	70 x 1984 x25	
8	2	70 x 225 x25	



x 1	d	x 4	b	x 6	c	x 4	a
							
6kt 4	6kt 4	Ø35	Ø35	Ø10 x50	Ø10 x50	Ø6,4 x50	Ø6,4 x50



x 1	d	x 4	b	x 6	c	x 12	a	x 16	k
6kt 4	Ø35	Ø35	Ø35	Ø10 x50	Ø10 x50	Ø10 x50	Ø6,4 x50	Ø10 x30	Ø10 x30

3

g

i

e

7

i


5

8

g

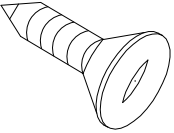
e

x 4 i



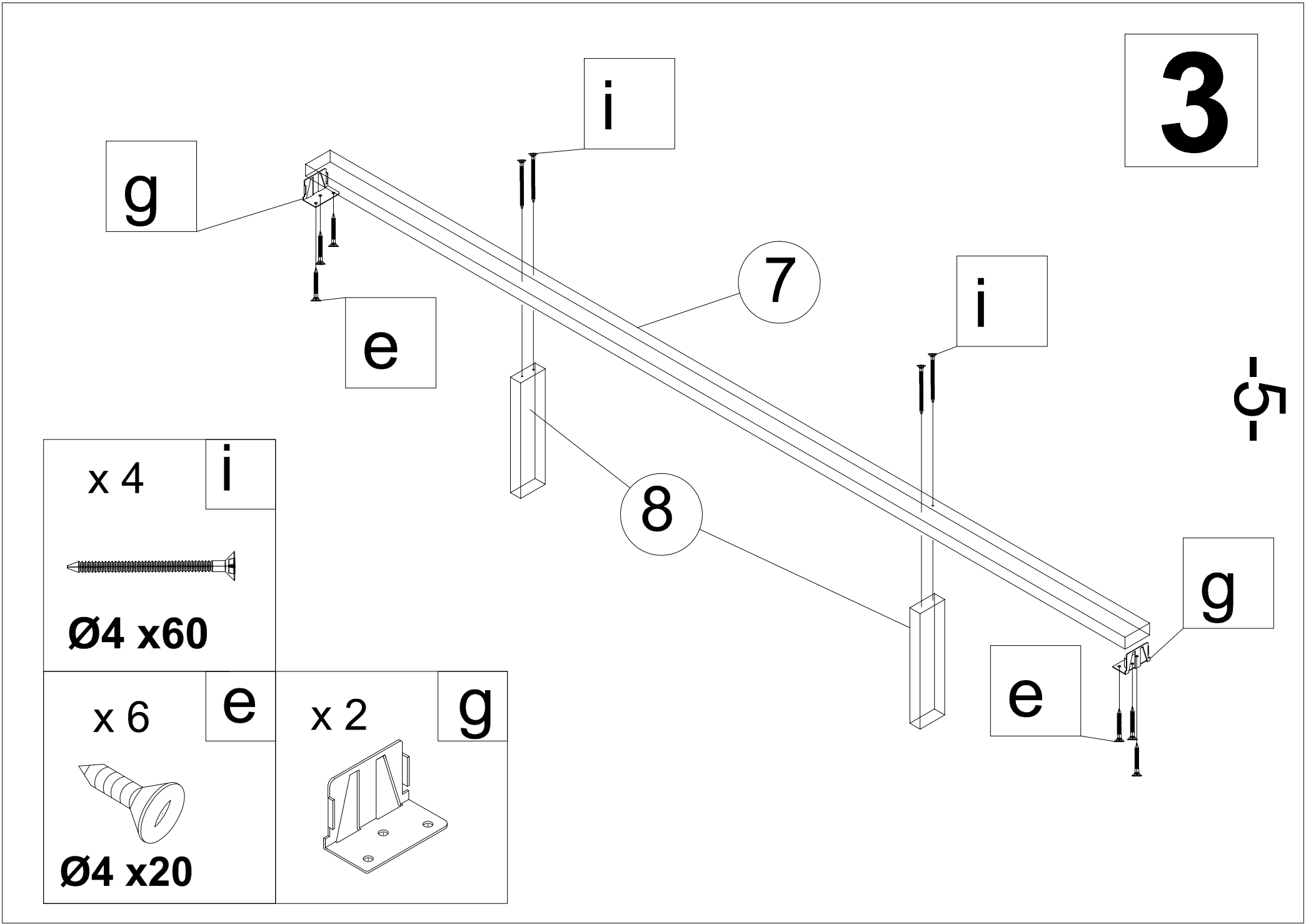
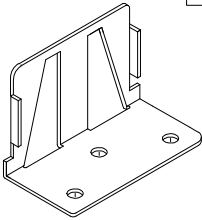
Ø4 x60

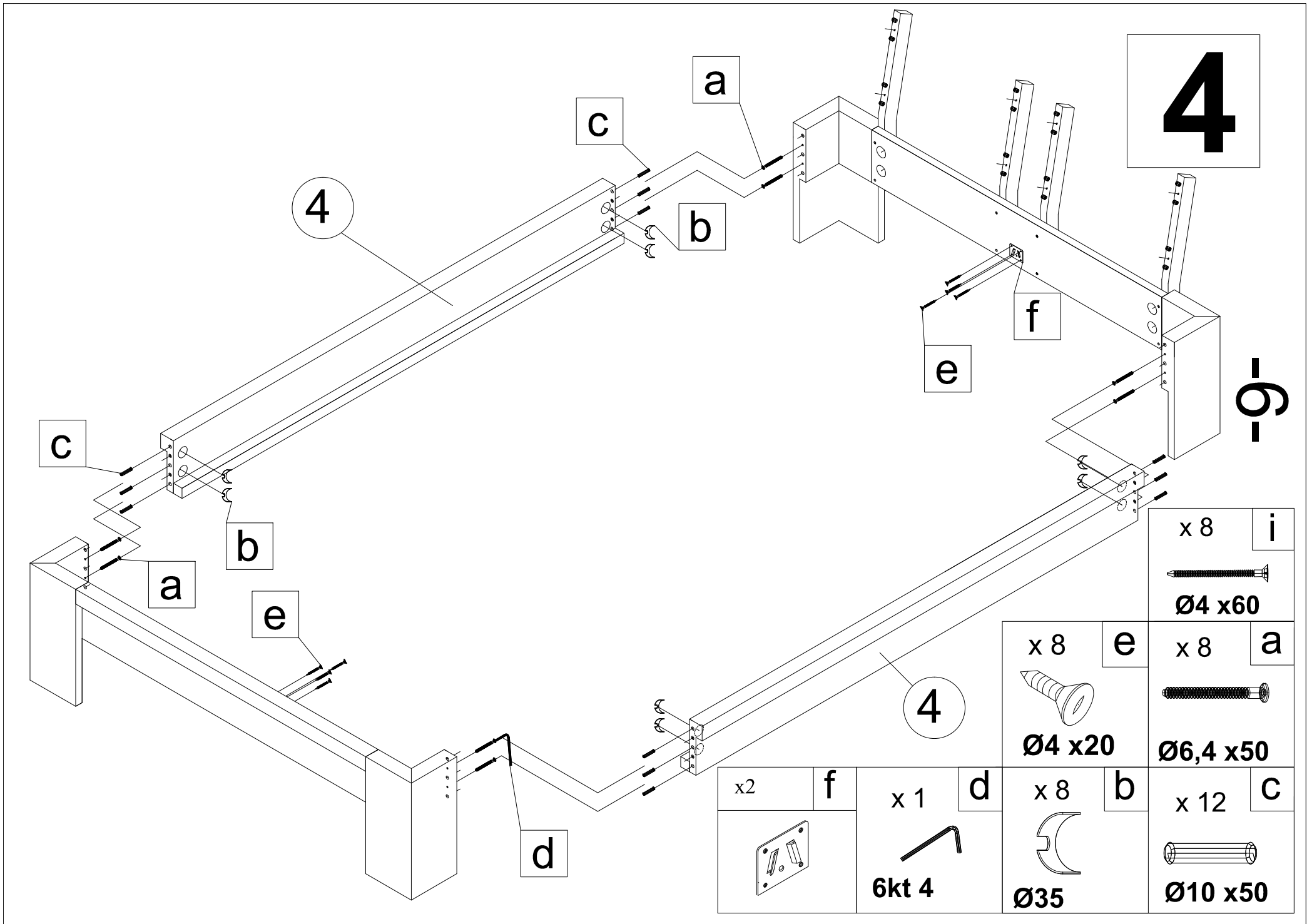
x 6 e



Ø4 x20

x 2 g



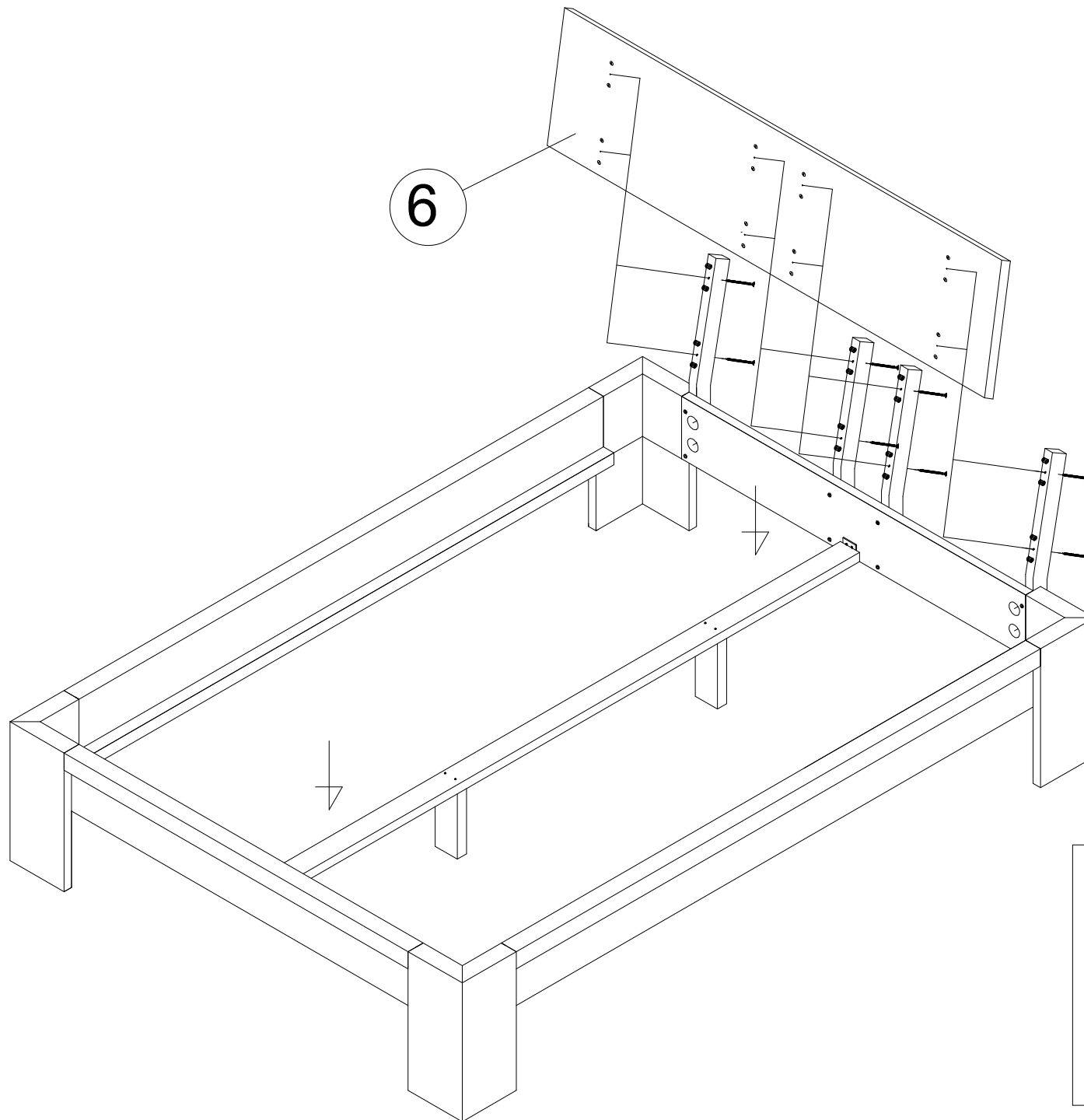


5

6

h

-7-



x 8

h



Ø3,5 x50