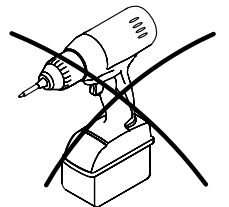
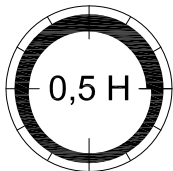
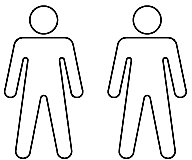
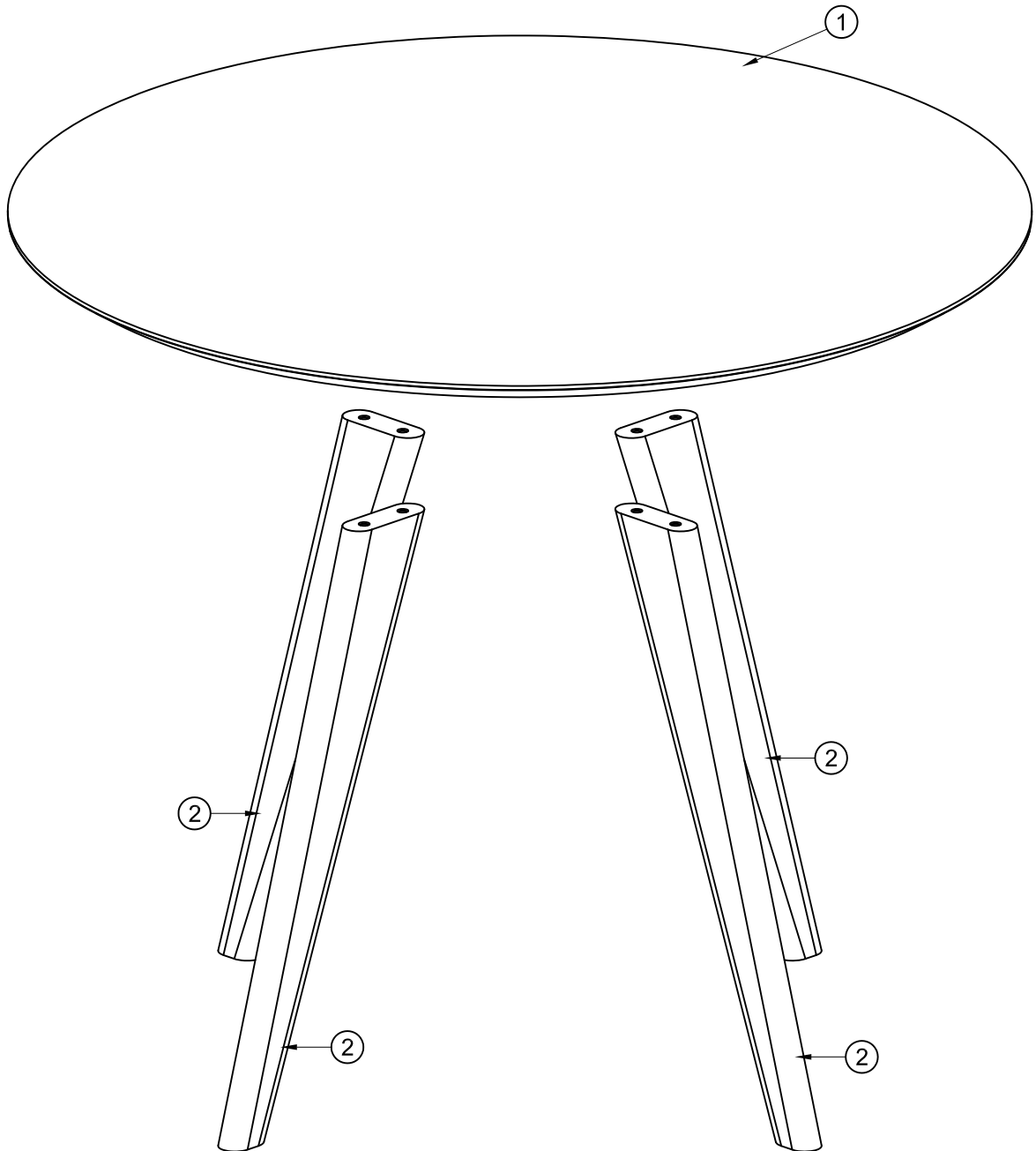

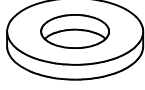
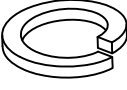


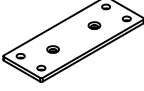



# TOWNSVILLE

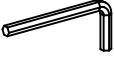




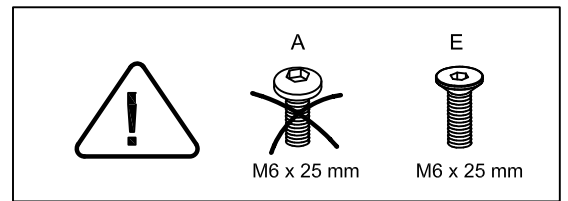
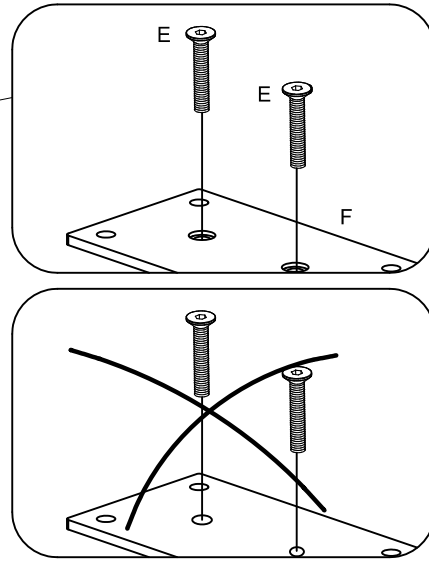
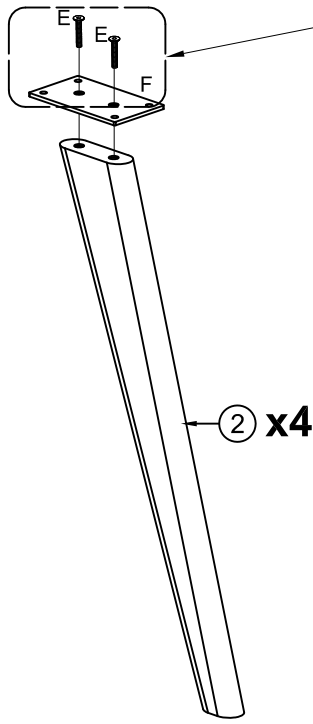
			✓
①	1	Ø1000 x 25 mm	
②	4	725 x 120 x 40 mm	




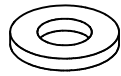
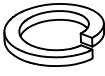

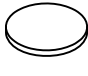
<p>A x 16</p>  <p>M6 x 25 mm</p>	<p>B x 16</p>  <p>Ø6/Ø16 mm</p>	<p>C x 16</p>  <p>Ø6 mm</p>	<p>D x 1</p>  <p>4 mm</p>	<p>E x 8</p>  <p>M6 x 25 mm</p>
<p>F x 4</p>  <p>160 x 92 x 5 mm</p>	<p>G x 4</p>  <p>Ø35 x 3 mm</p>			

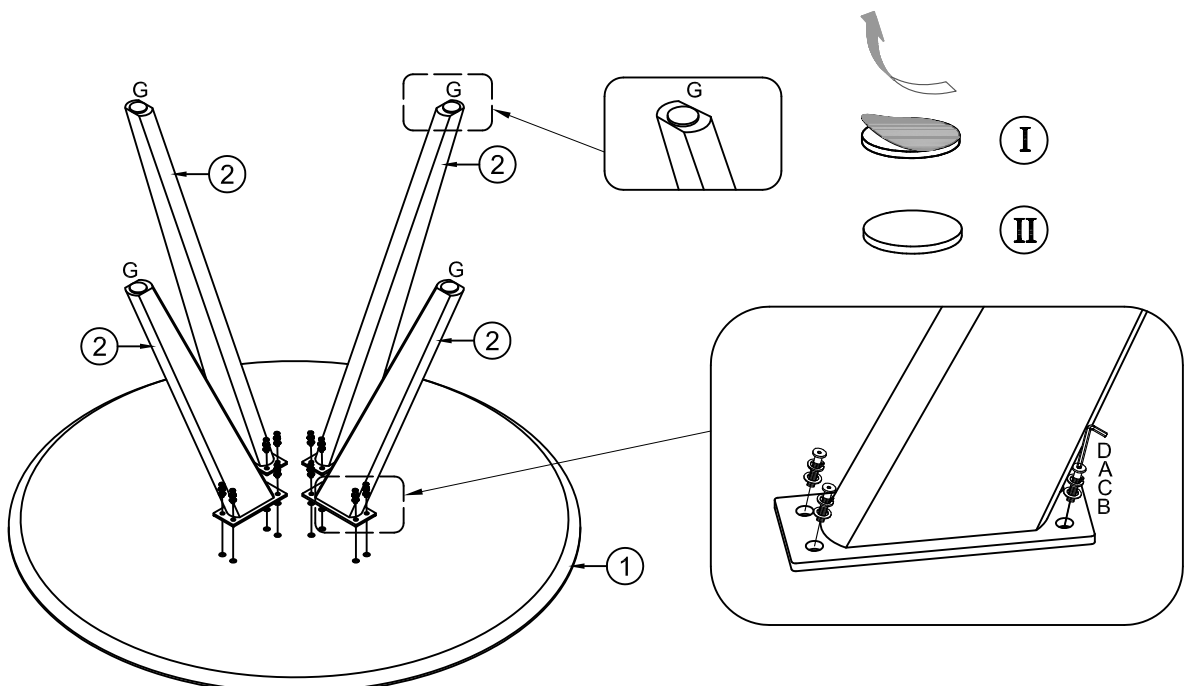
# 1

D x 1  4 mm	E x 8  M6 x 25 mm	F x 4  160 x 92 x 5 mm
--	--	---



# 2

A x 16  M6 x 25 mm	B x 16  Ø6/Ø16 mm	C x 16  Ø6 mm	D x 1  4 mm	G x 4  Ø35 x 3 mm
---	--	--	--	--



3

