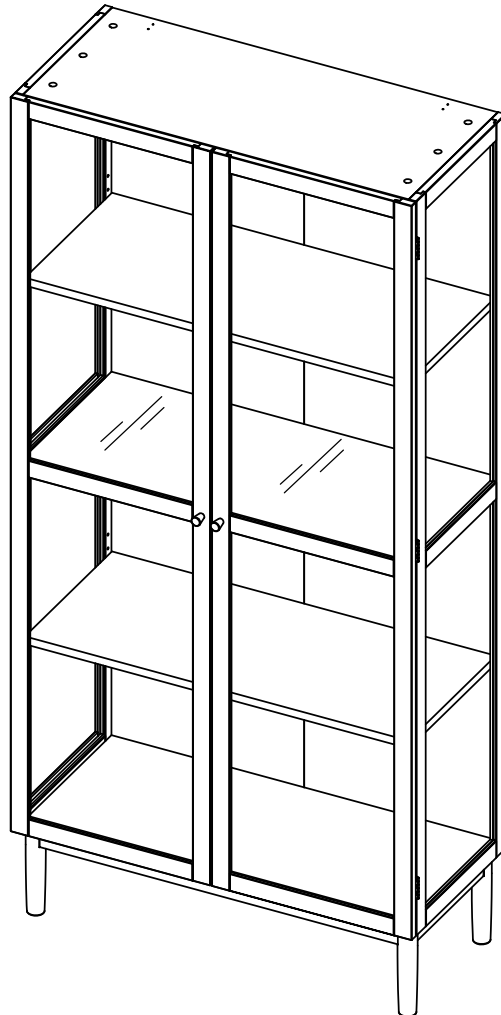


# Assembly Instruction

---

EKLUND  
100004388546



---

W90cm x D40cm x H190cm

---



Rev.:21.09.2023

Kære Kunde

Tillykke med dit nye køb.  
Følg disse råd og få det bedste resultat, når du samler produktet.

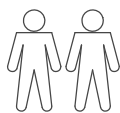
Læs vejledningen grundigt, før du går i gang.  
Find hjælp, hvis I skal være to til at samle møblet.  
Tjek at pakken indeholder alle dele på materialeoversigten.  
Saml møblet på et blødt underlag, så du undgår ridser.  
Følg vejledningen nøje.  
Efterspænd møblet efter en måned.  
Gem denne vejledning.

### Afsæt god tid.

Nogle møbler kan samles på få minutter. Andre - der f.eks. består af flere dele - kan tage over en time at samle. Afsæt god tid eller gør evt. arbejdet af flere omgange.

Mangler du enkeltdele, eller har du spørgsmål til samlevejledningen kontakt kundeservice på [ilva.dk](http://ilva.dk).

Venlig hilsen  
ILVA



Anbefalet:

Dear Customer

Congratulations on your new purchase.  
Follow this advice and get the best Result when assembling the product.

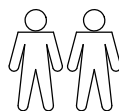
Read the instruction carefully before you start.  
Get help, if two persons are required for assembly.  
Make sure, you have all parts on the total material list.  
Work on a soft, flat surface to avoid any damage to the finish.  
Follow the assembly instruction.  
Tighten the furniture joints after a Month.  
Keep the assembly instruction.

### Allocate sufficient time

Some furniture can be assembled in minutes. Others - e.g. products in several parts - can take more than an hour to finish. Make sure to allocate good time or divide up the work.

If any parts are missing or you have questions for the Assembly instruction contact support at [ilva.dk](http://ilva.dk).

Best regards  
ILVA

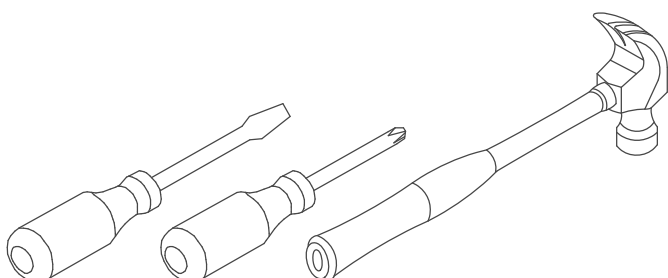


Recommended:

---

### Tools needed

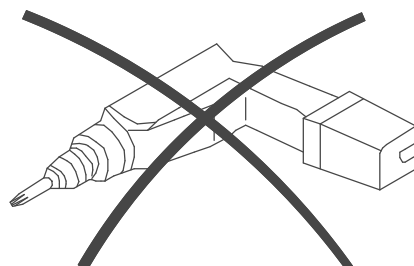
---



---

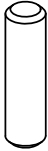
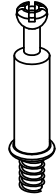
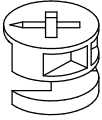





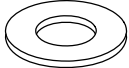

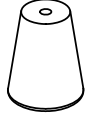
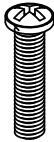
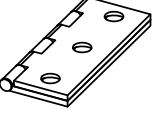


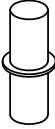
### Don't use !!!

---


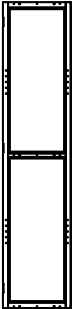

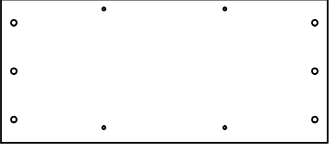

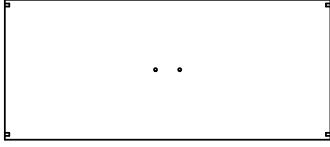
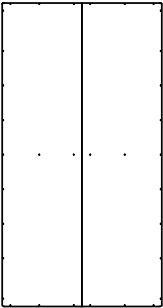

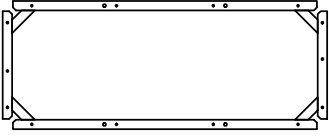
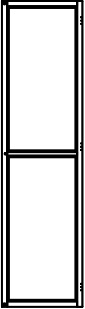

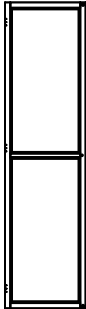


**ILVA**

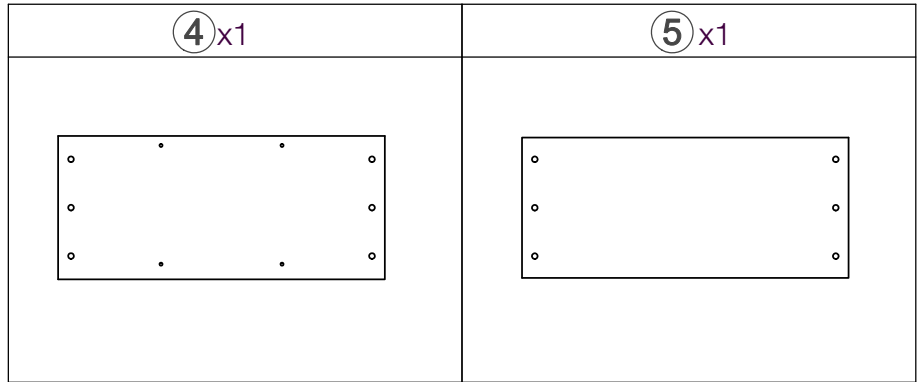
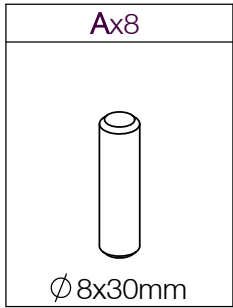
# Total material list, hardware

Ax20	Bx18	Cx18	Dx2	Ex38	Fx14
 Ø8x30mm	 Ø6x44mm	 Ø15x11mm	 75x25x15mm	 Ø3.5x16mm	 Ø4x50mm
Gx4	Hx4	Jx4	Kx1	Lx2	Mx2
 M8x65mm	 M8	 M8x Ø19mm	 5mm	 Ø20x25mm	 Ø4x23mm
Nx6	Px36	Qx8	Rx8		
 50mm	 Ø3x14mm	 Ø4x40mm	 Ø5x16mm		

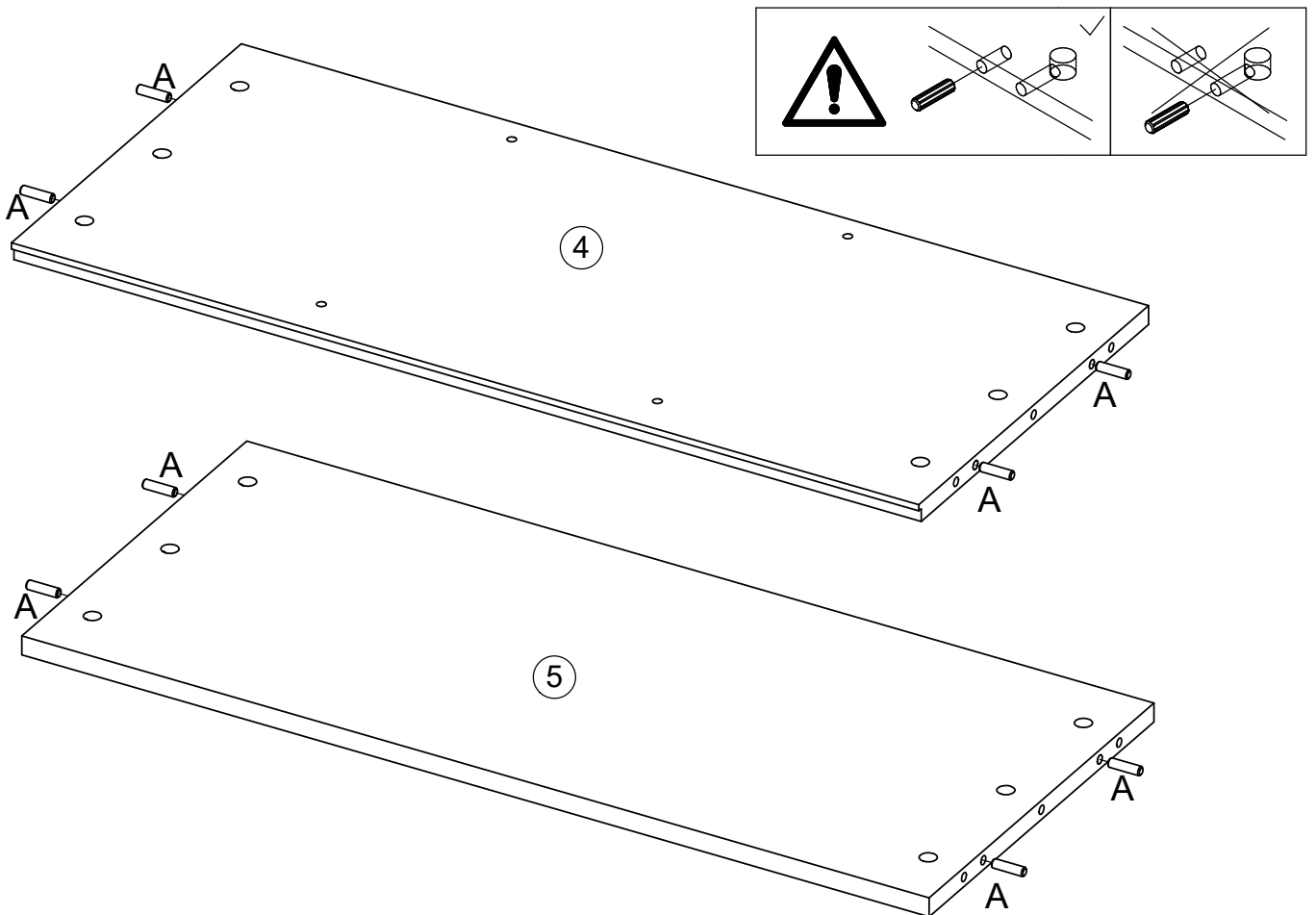
# Total material list, furniture parts

① x1	② x1	③ x1
		
④ x1	⑤ x1	⑥ x2
		
⑦ x1	⑧ x4	⑨ x1
		
⑩ x1	⑪ x2	⑫ x1
		


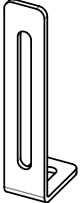
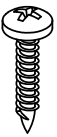
# Material list

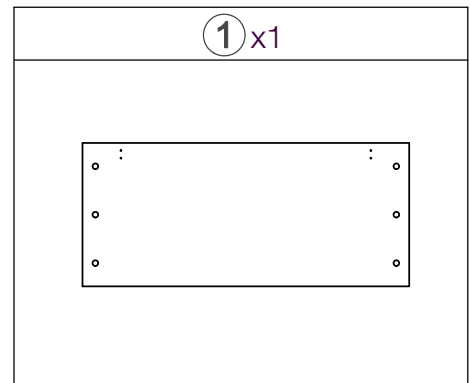


## Assembly instruction: 1

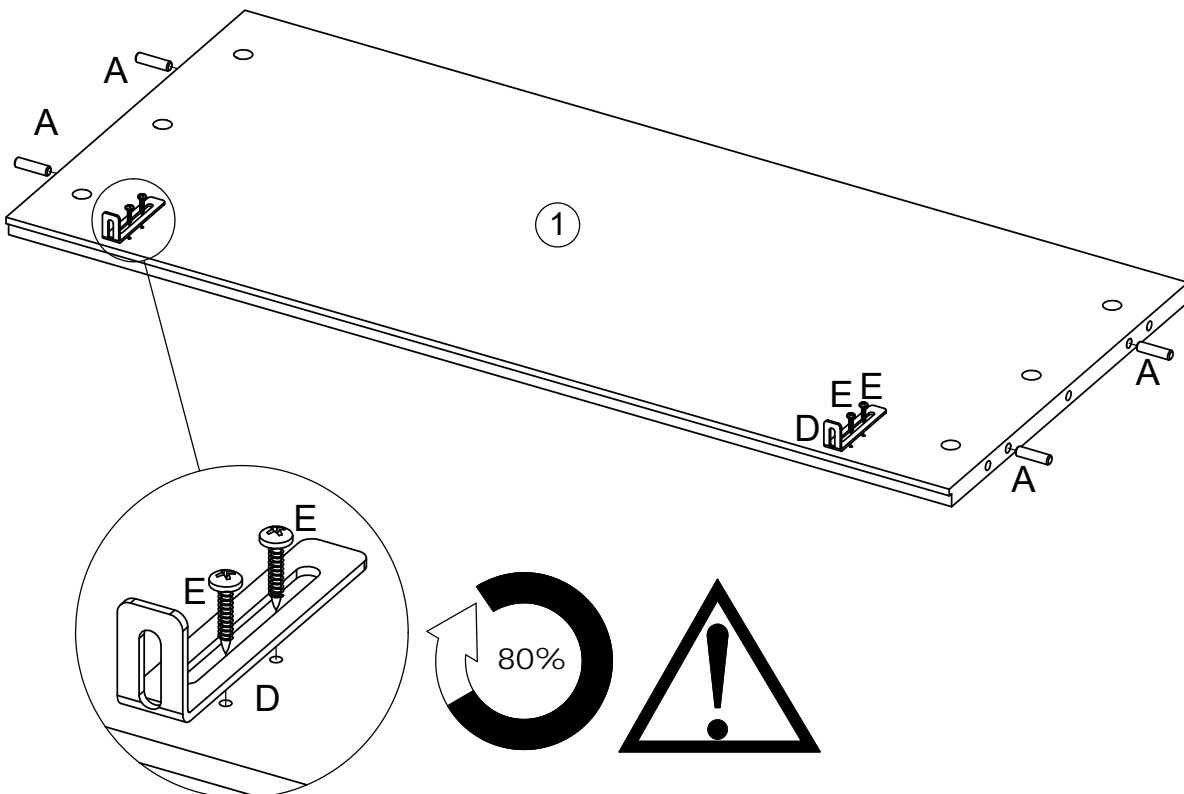


# Material list

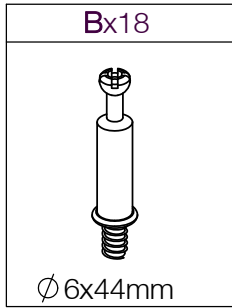
Ax4	Dx2	Ex4
		
$\varnothing 8 \times 30 \text{mm}$	$75 \times 25 \times 15 \text{mm}$	$\varnothing 3.5 \times 16 \text{mm}$



## Assembly instruction: 2

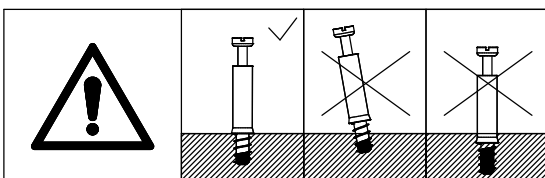
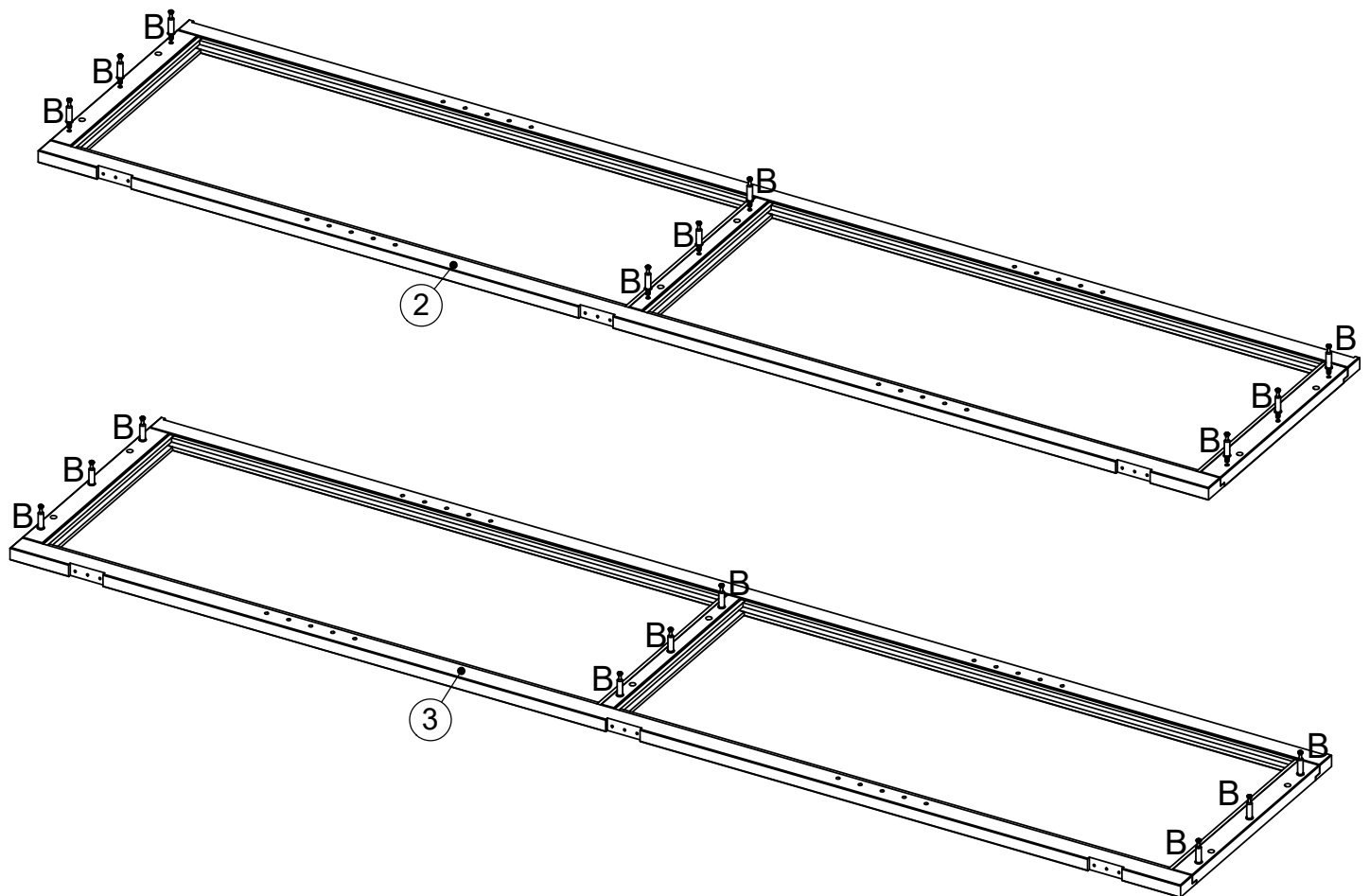


# Material list

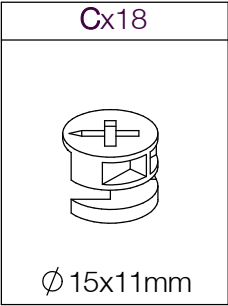


② x1	③ x1

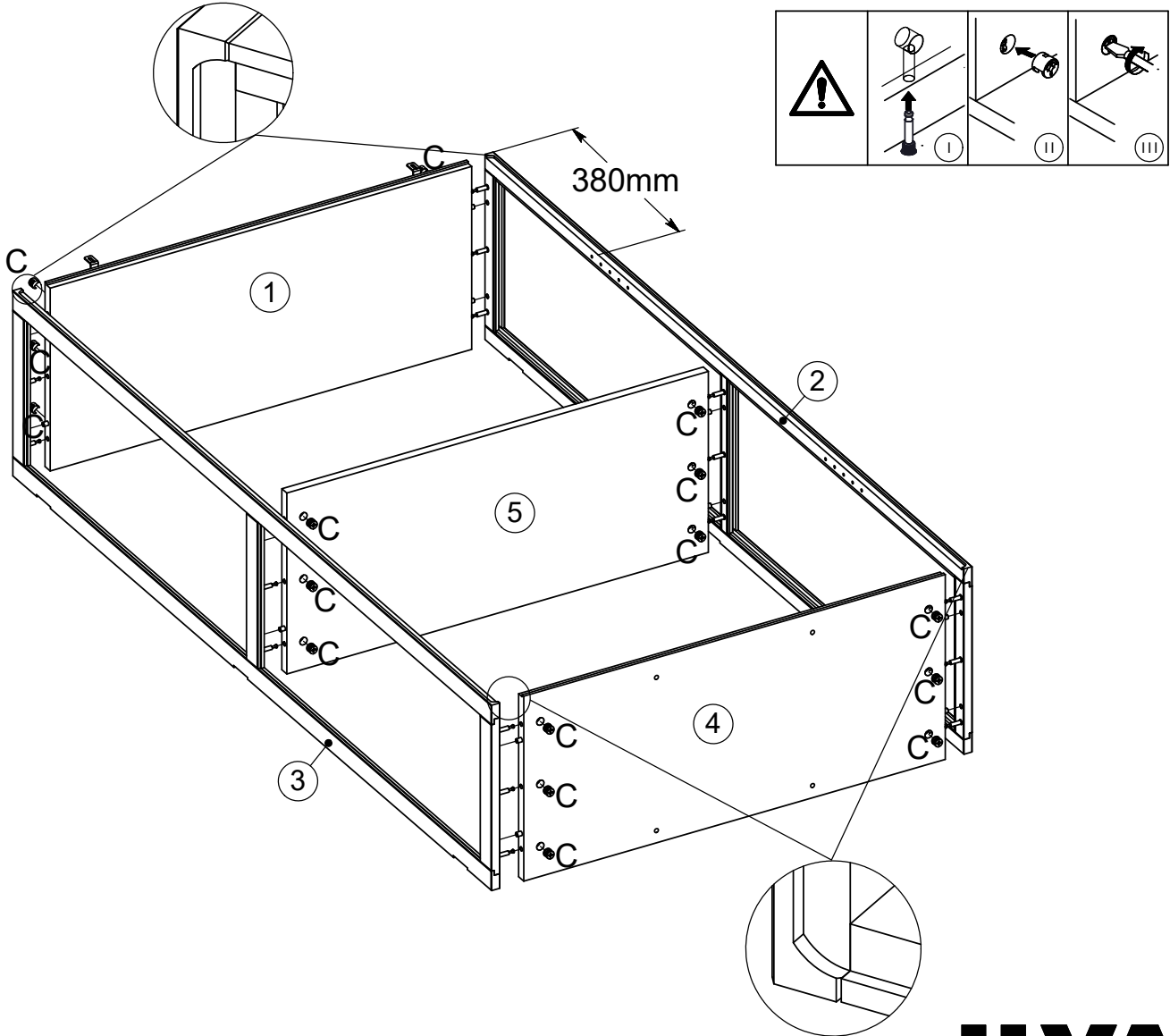
## Assembly instruction: 3



# Material list



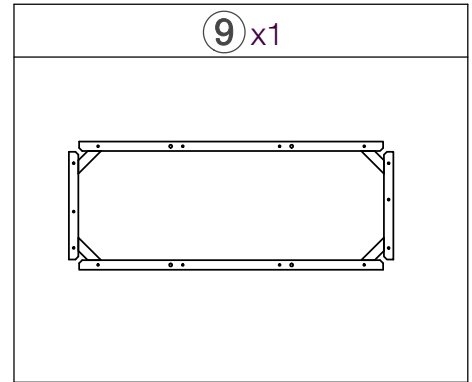
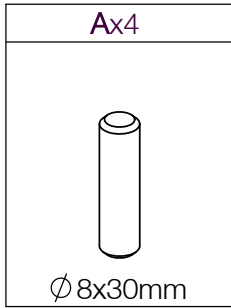
## Assembly instruction: 4





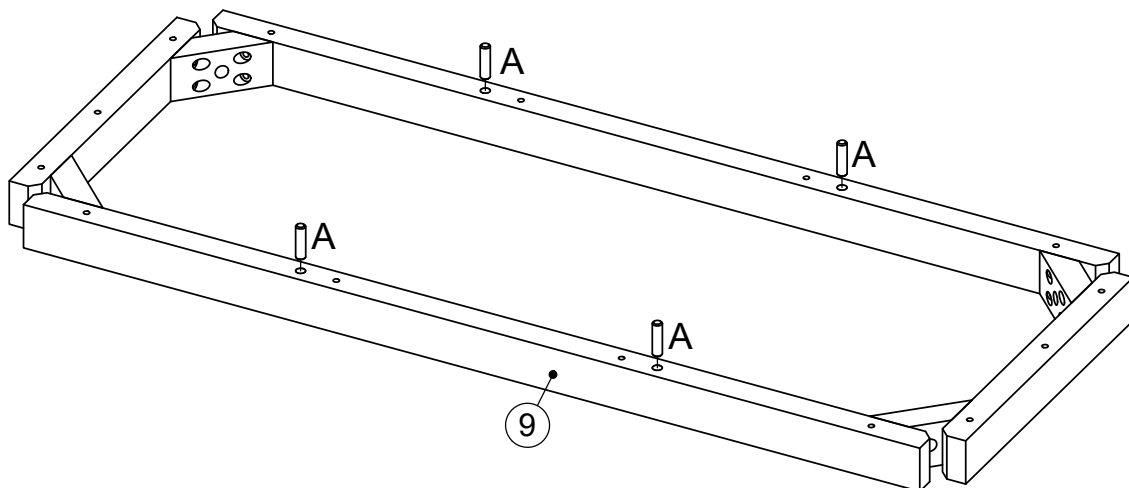
# Material list

---



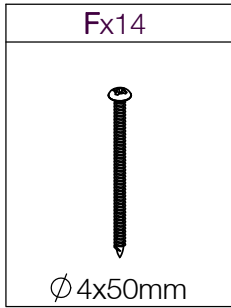
## Assembly instruction: 5

---



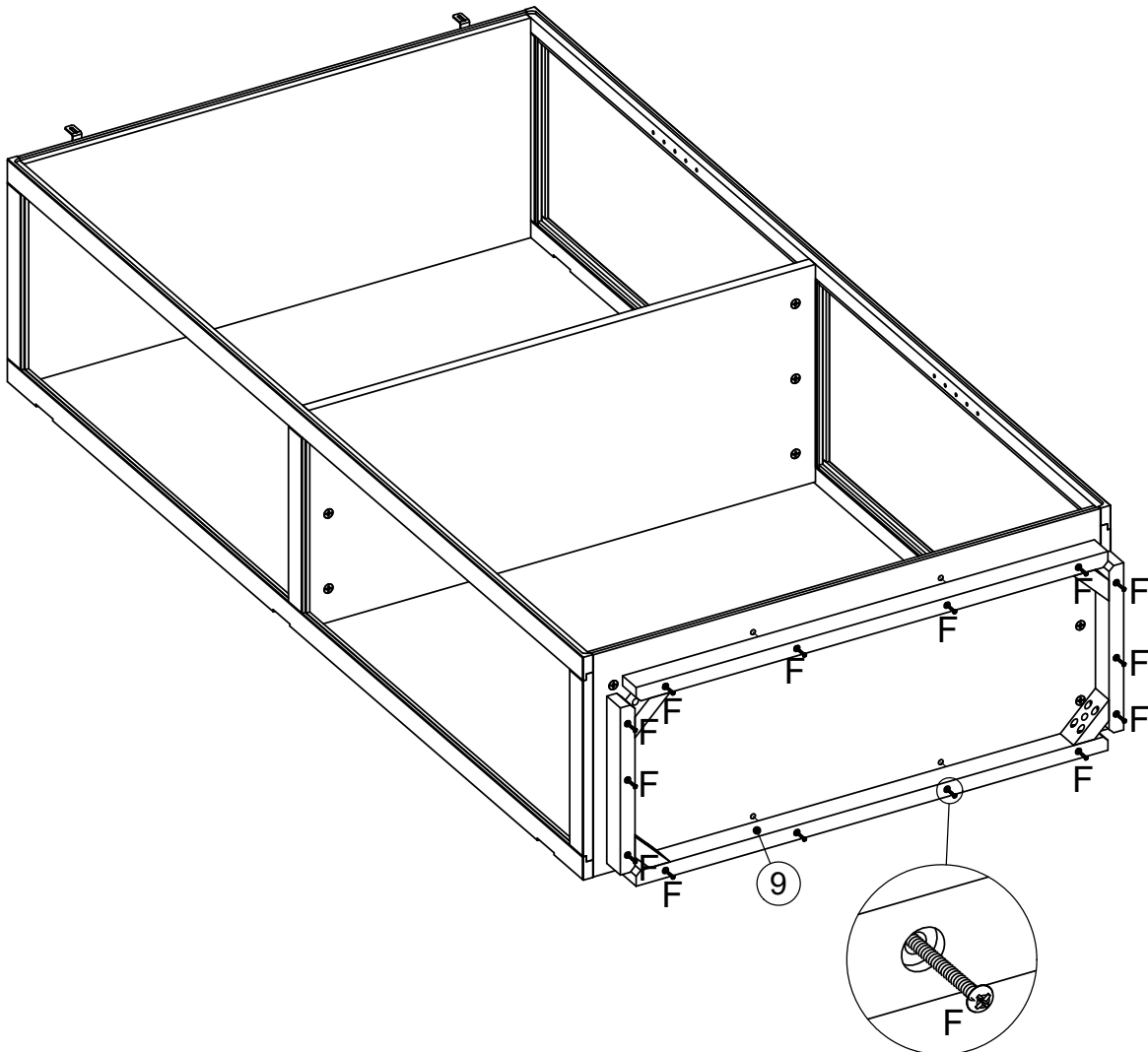
# Material list

---







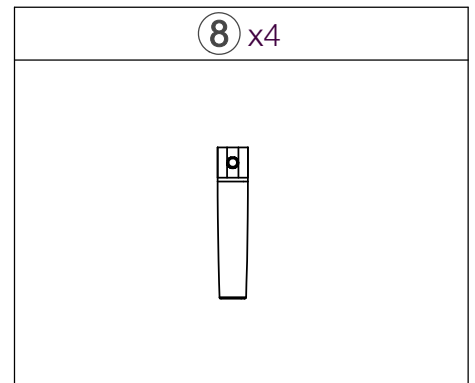
## Assembly instruction: 6

---

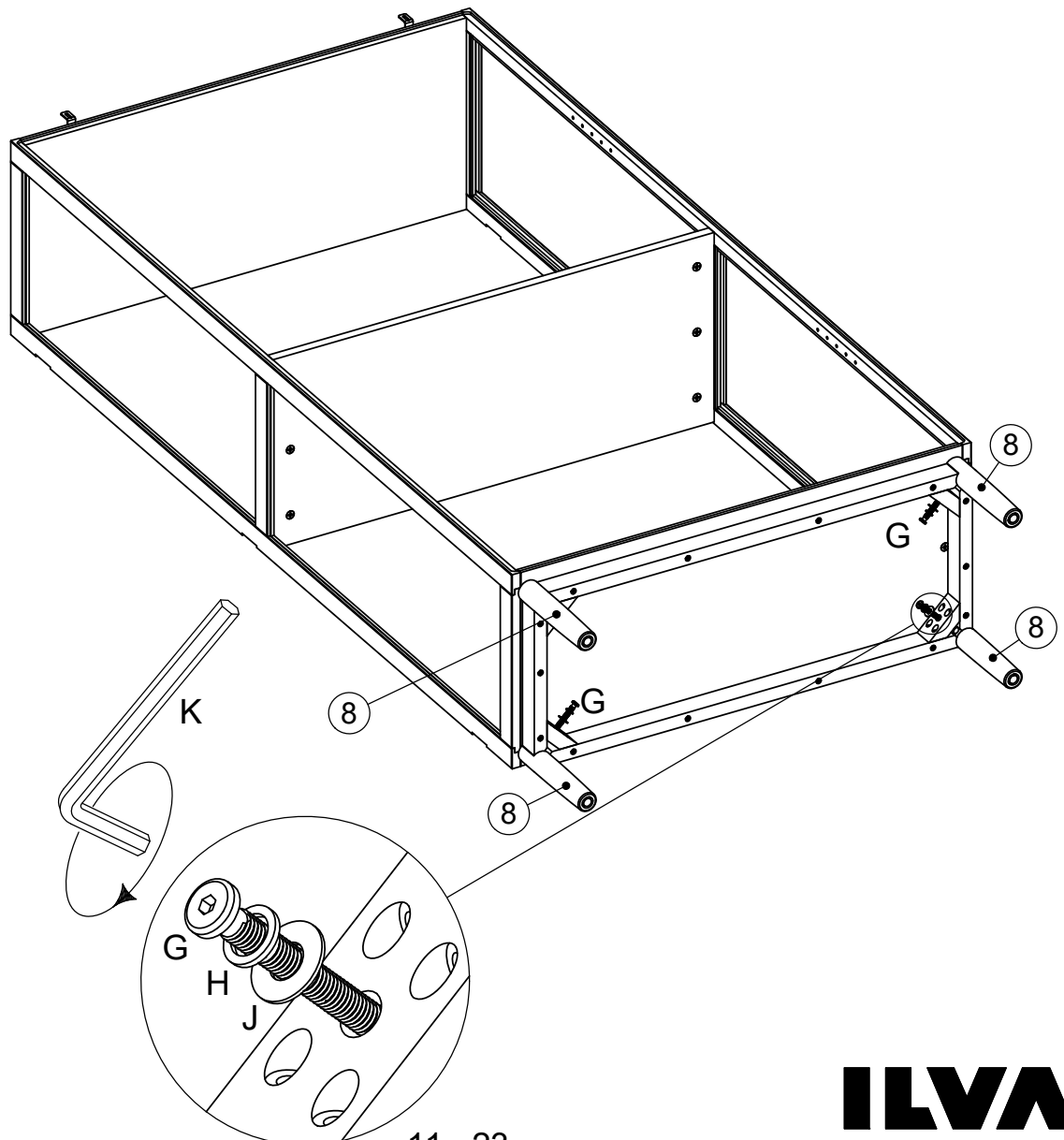


# Material list

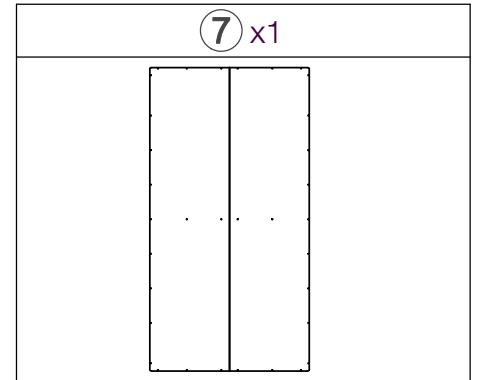
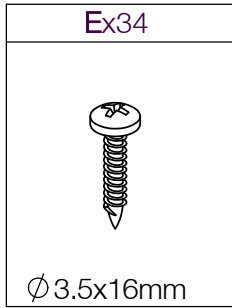
Gx4	Hx4	Jx4
 M8x65mm	 M8	 M8x Ø 19mm
Kx1		
 5mm		



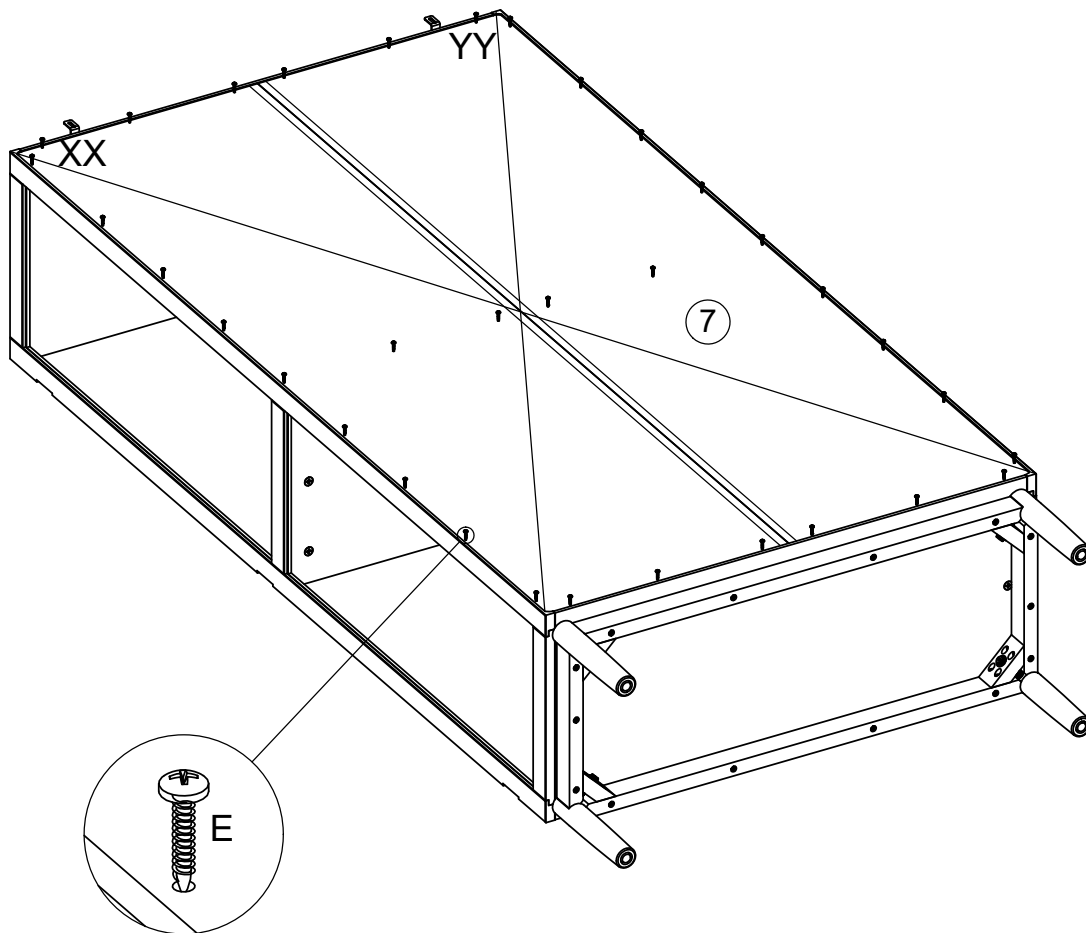
## Assembly instruction: 7



# Material list




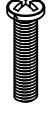
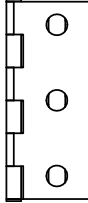

## Assembly instruction: 8

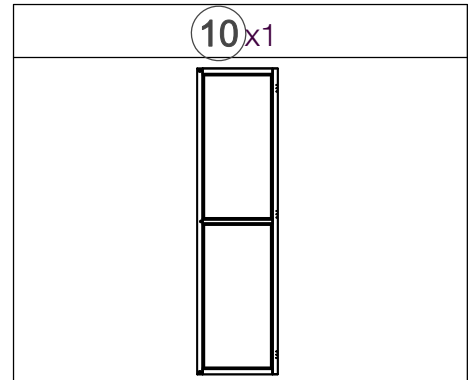


XX=YY=90°

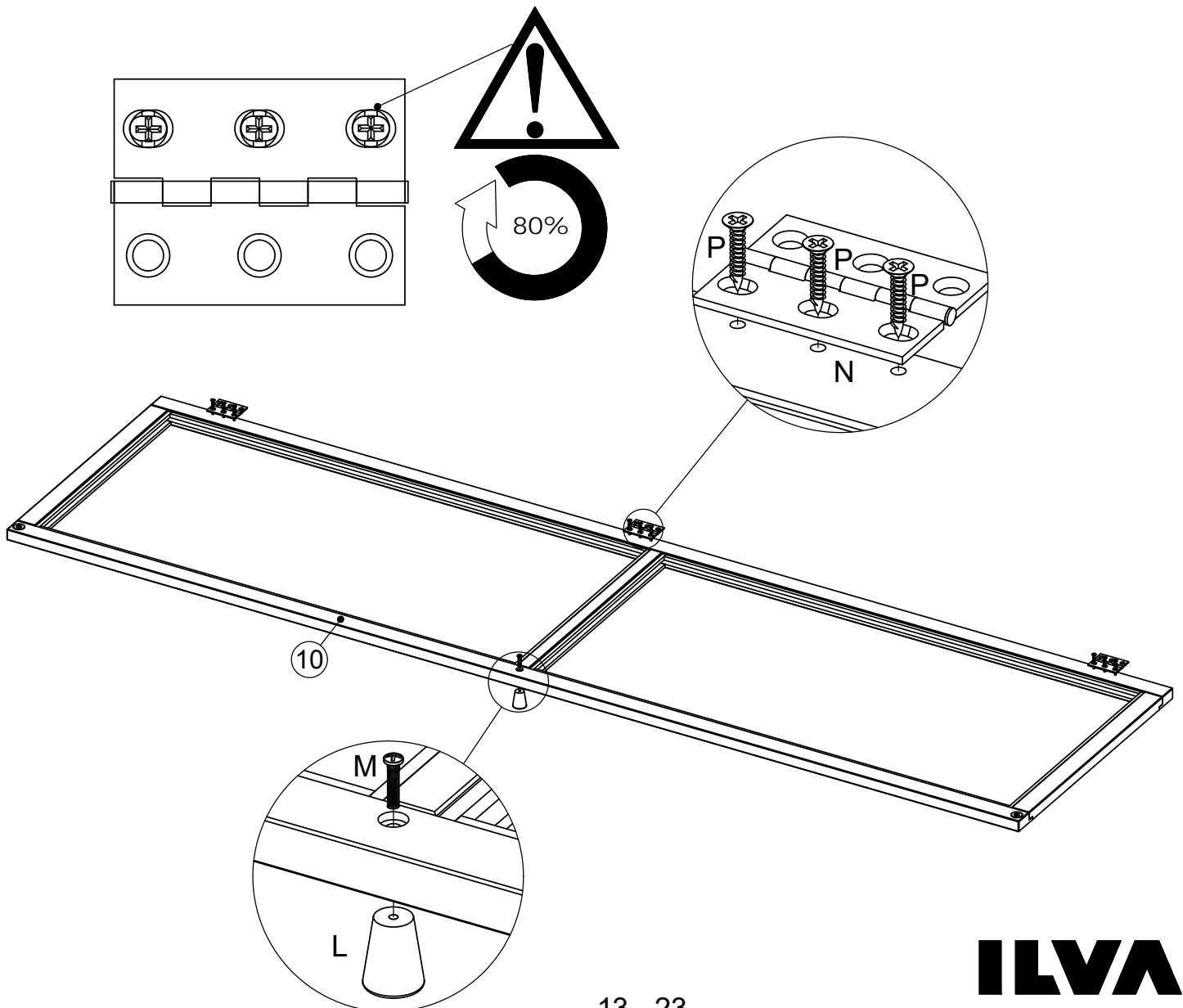


# Material list

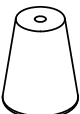
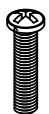
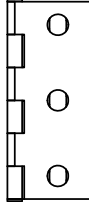

Lx1	Mx1	Nx3
		
Ø 20x25mm	Ø 4x23mm	50mm
Px9		
		
Ø 3x14mm		

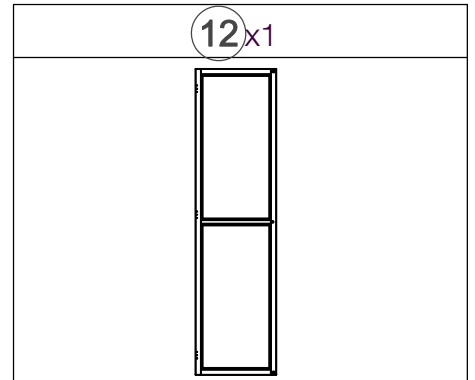


## Assembly instruction: 9

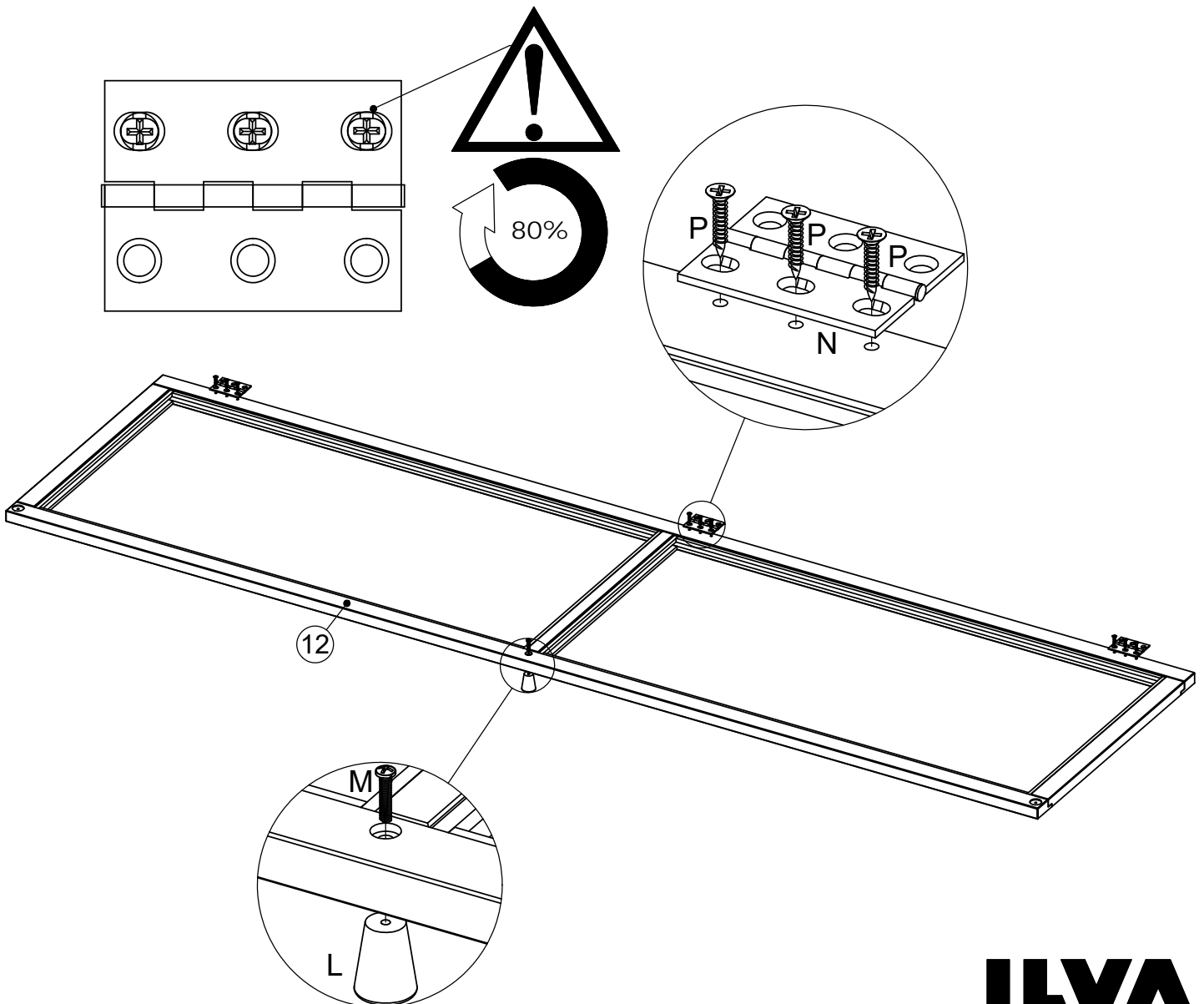


# Material list

Lx1	Mx1	Nx3
		
∅ 20x25mm	∅ 4x23mm	50mm
Px9		
		
∅ 3x14mm		

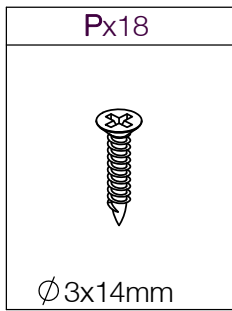


## Assembly instruction: 10



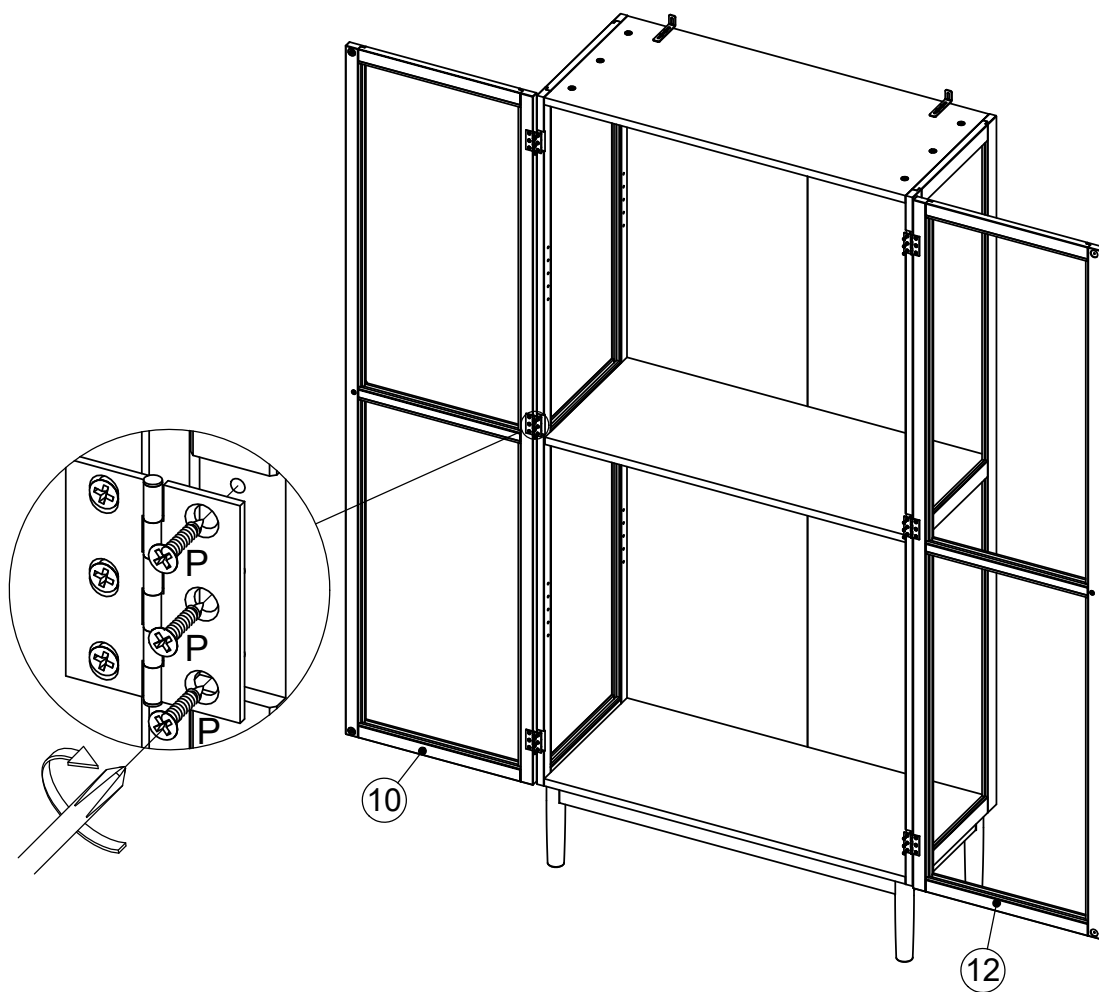
# Material list

---



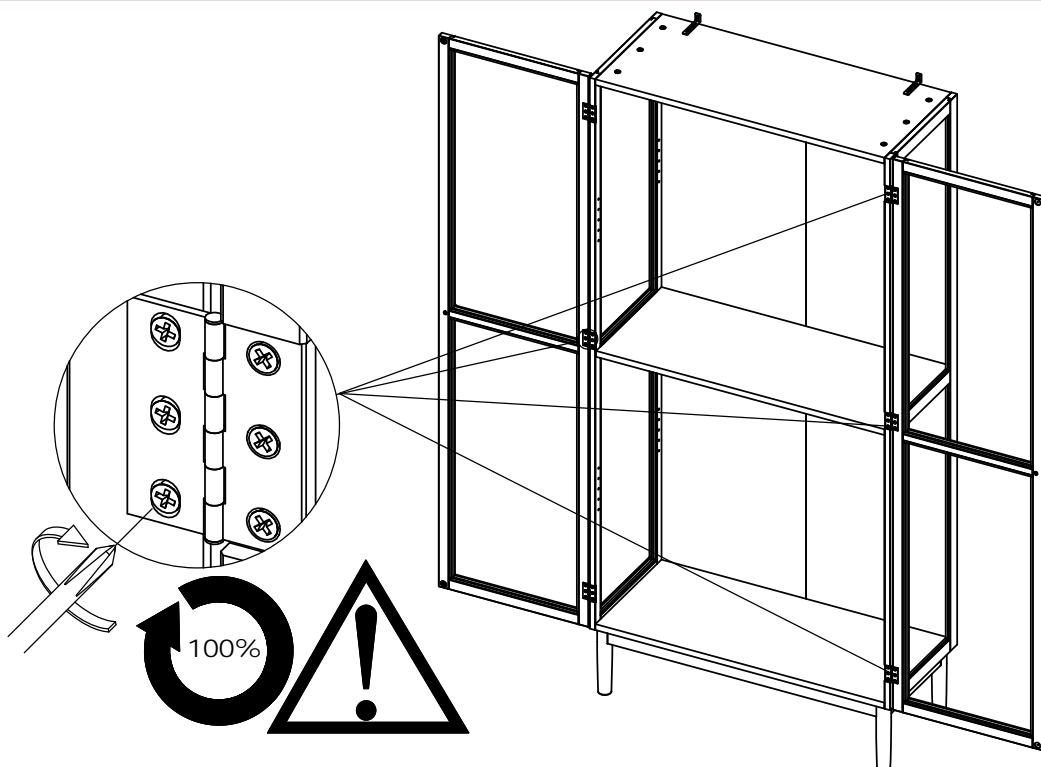
## Assembly instruction: 11

---



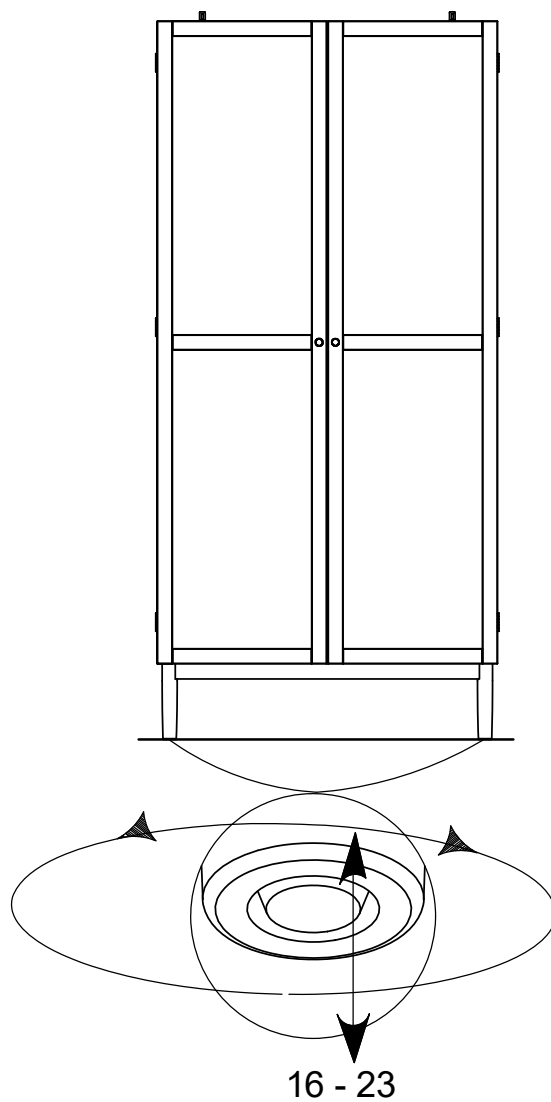
## Assembly instruction: 12

---



## Assembly instruction: 13

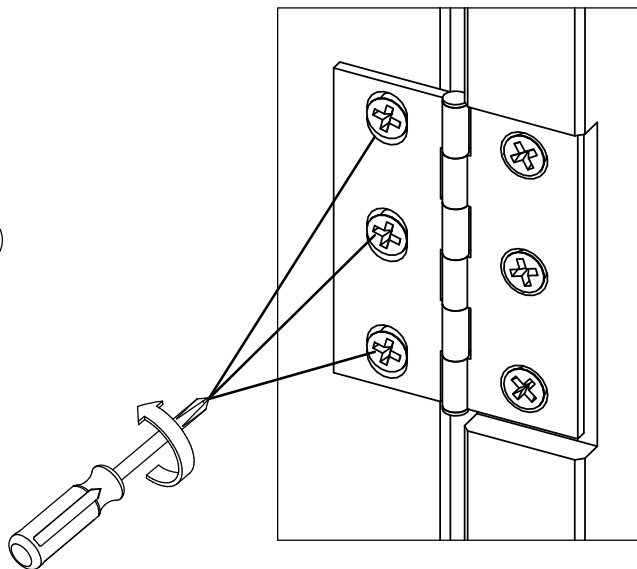
---



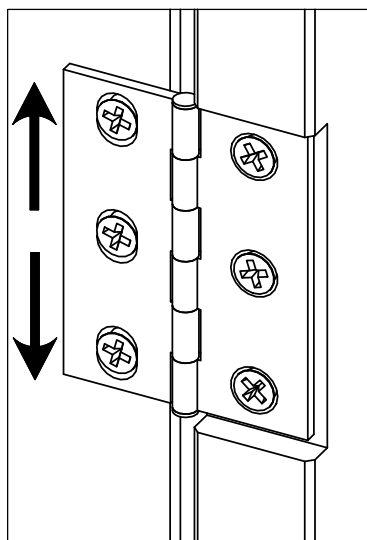


# Assembly instruction: 14

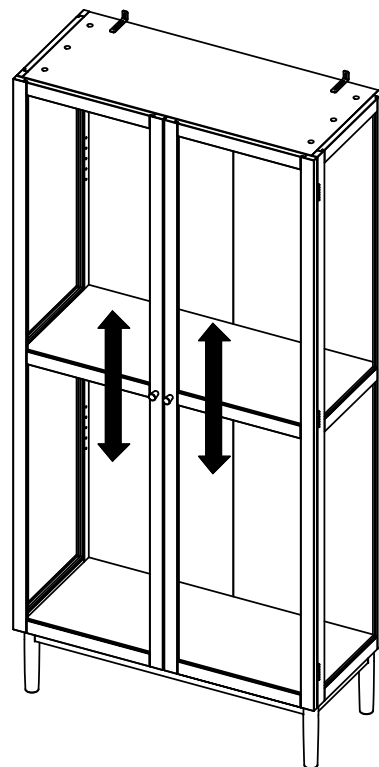
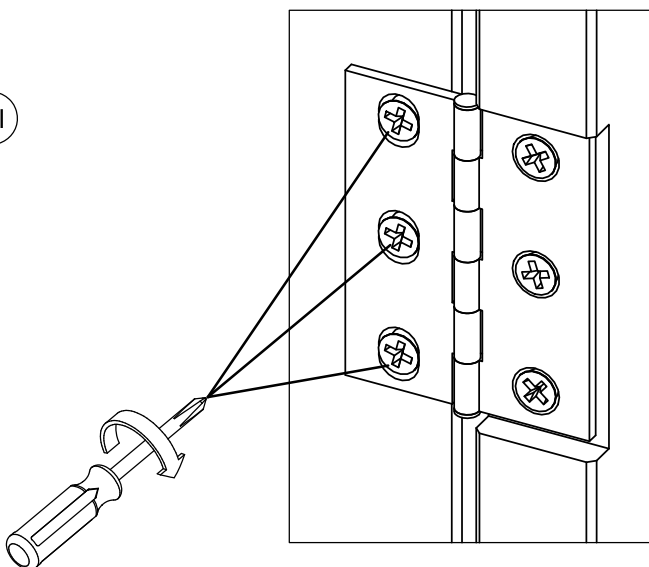
I



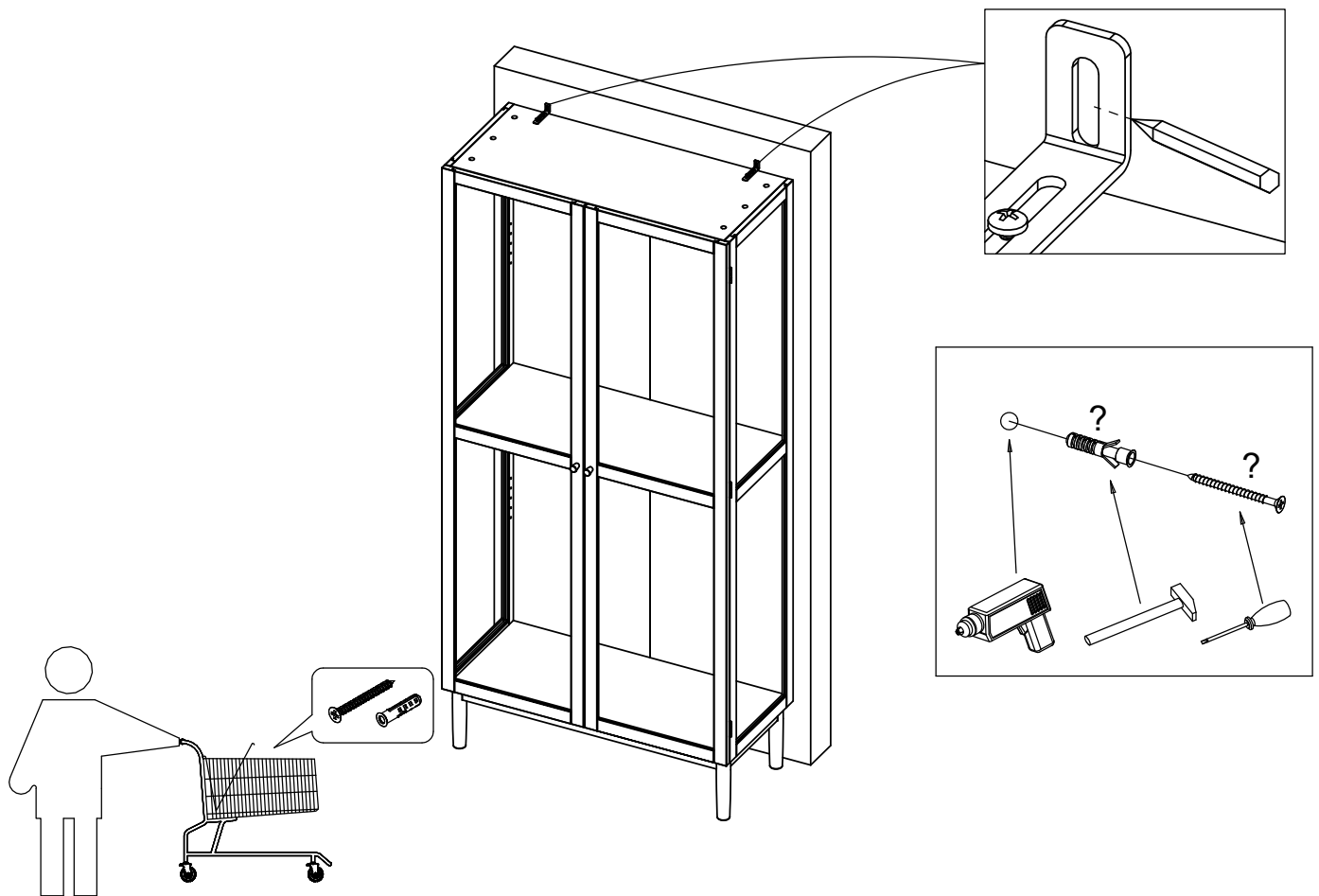
II



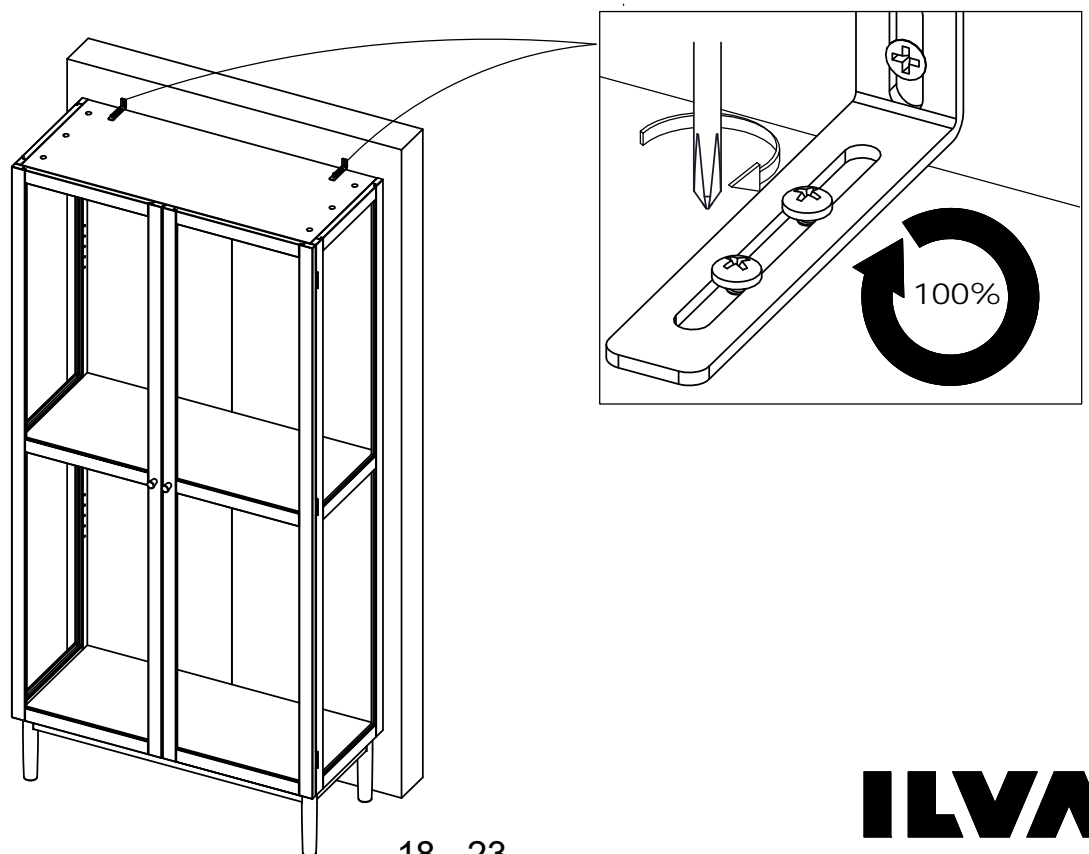
III



# Assembly instruction: 15

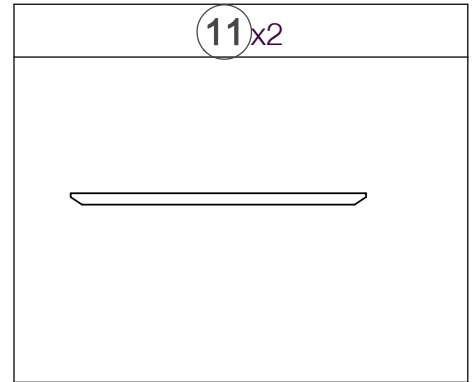
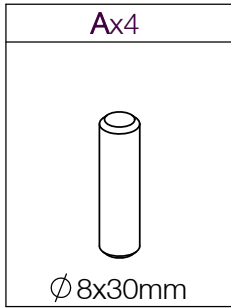


# Assembly instruction: 16



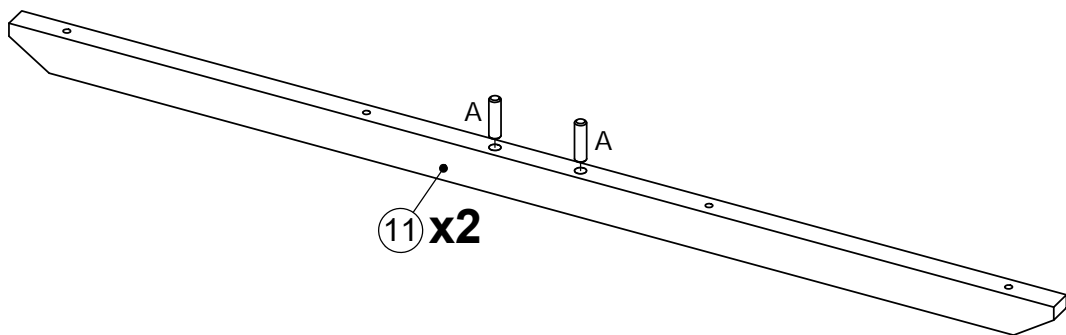
# Material list

---



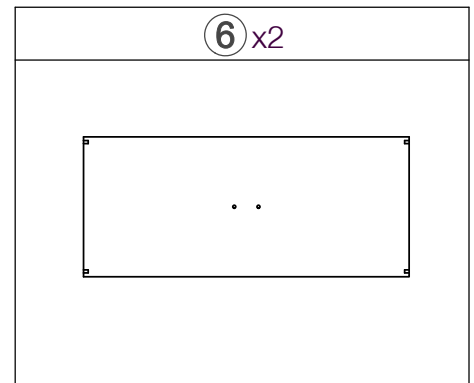
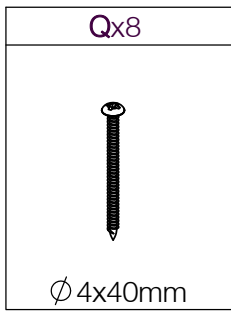
## Assembly instruction: 17

---



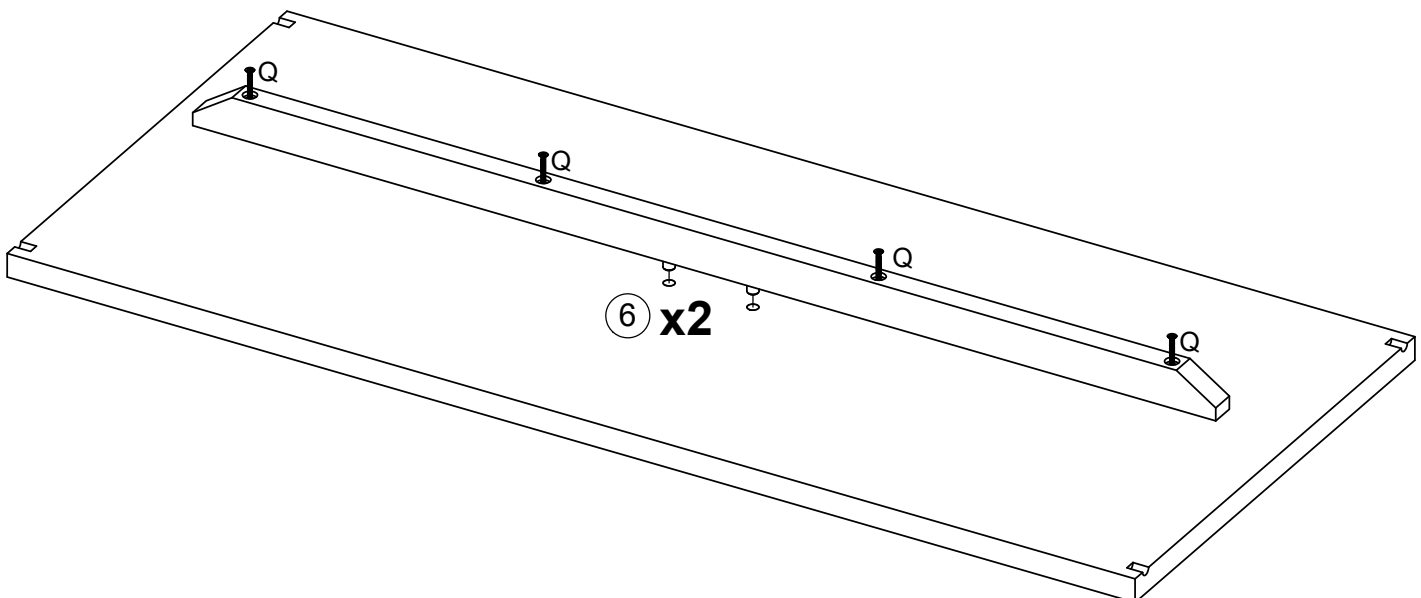
# Material list

---



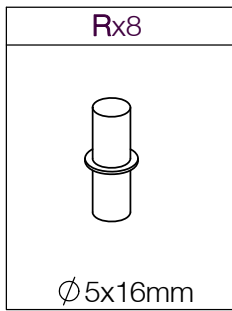
## Assembly instruction: 18

---



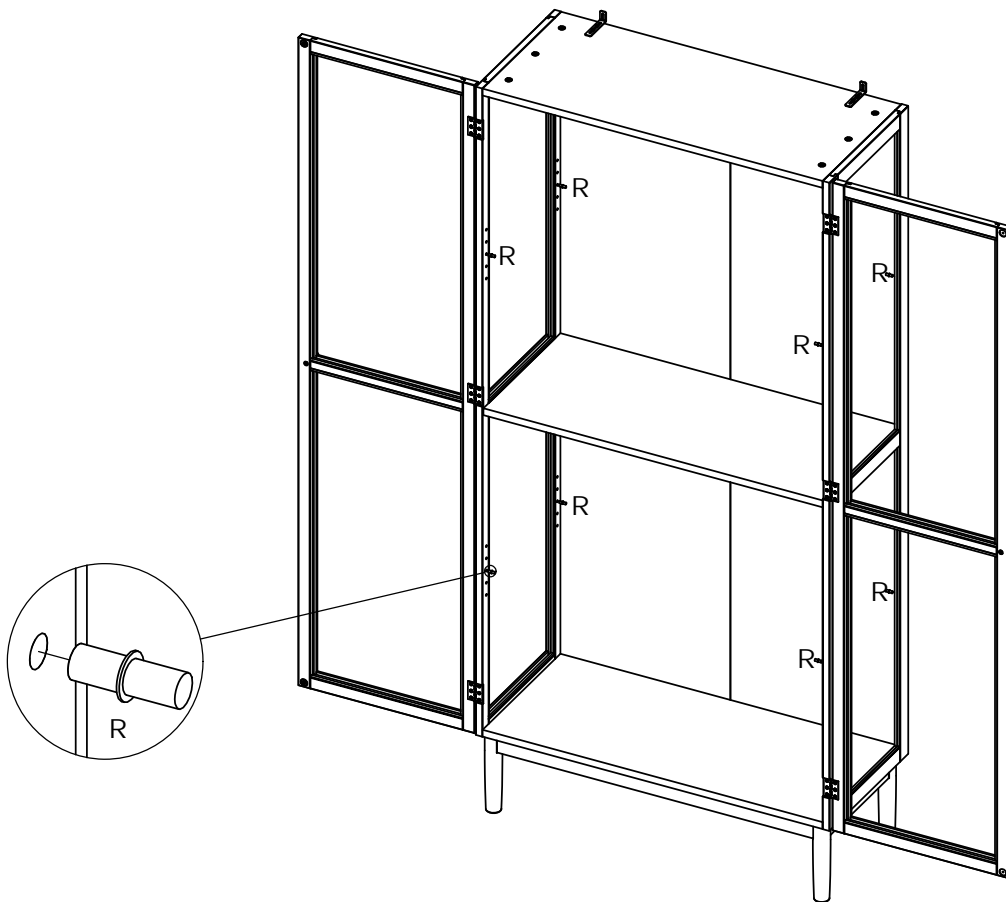
# Material list

---



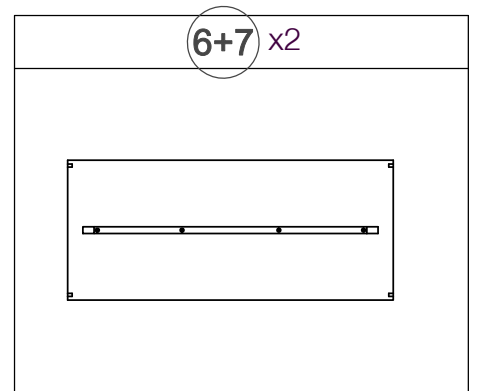
## Assembly instruction: 19

---



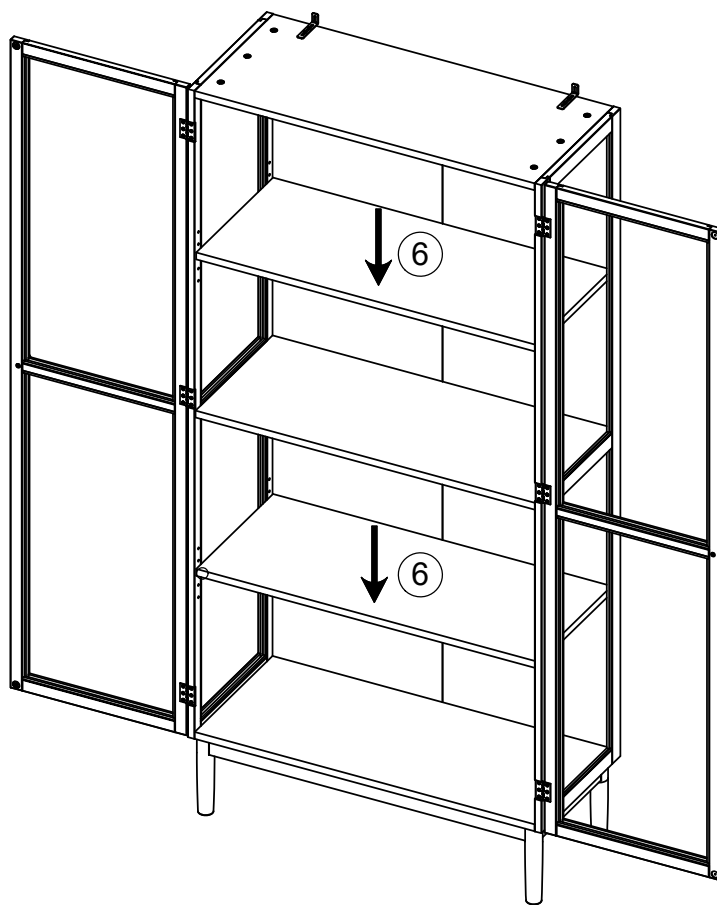
# Material list

---

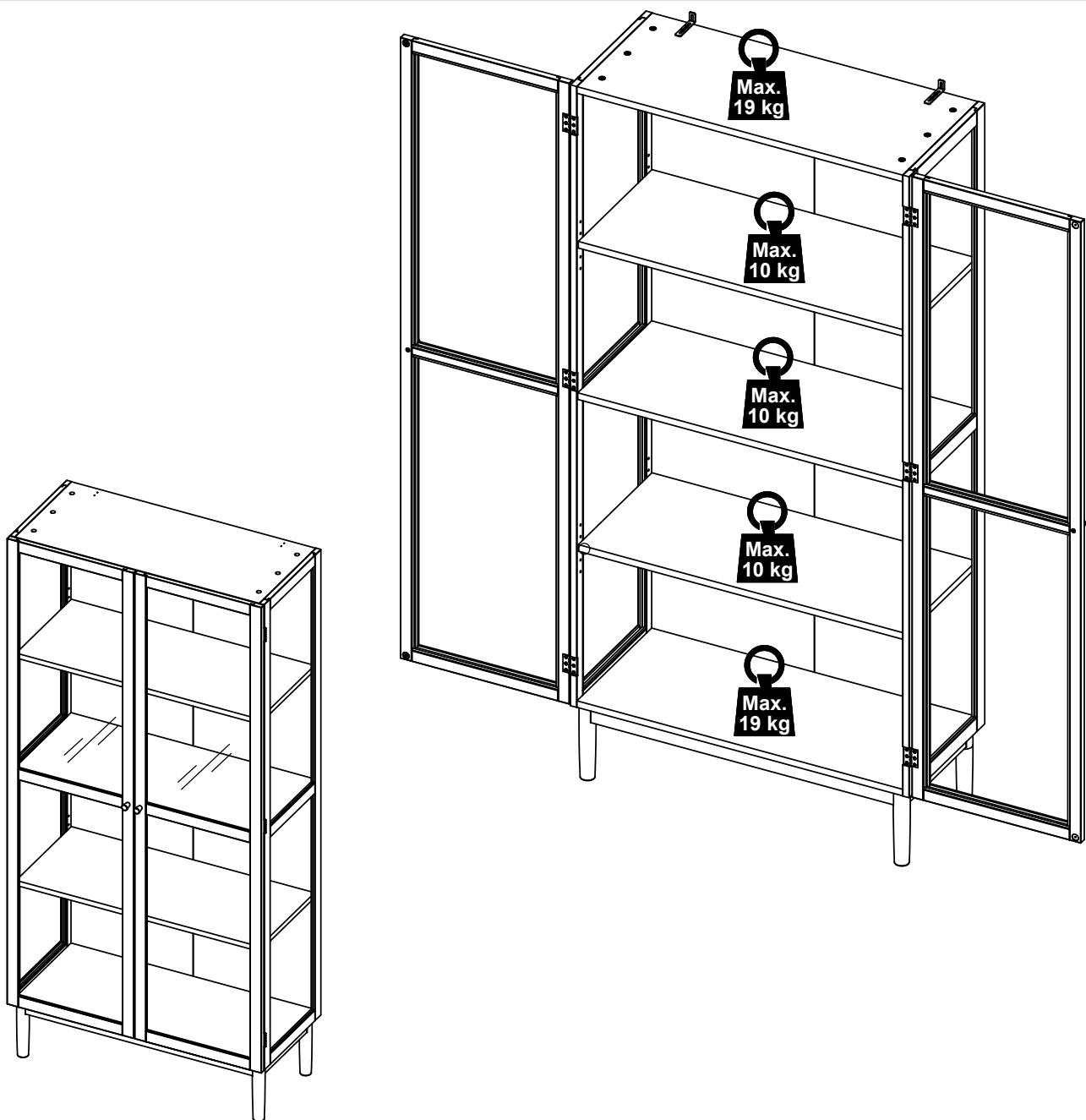


## Assembly instruction: 20

---



# Max load



## Warning

Skruer til fastgørelse af produktet til vægen medfølger ikke. Du skal derfor selv supplere med skruer eller beslag som passer til det materiale din væg er lavet af.

Hvis du er usikker så kontakt din lokale fagmand.

Screws for attaching the product to the wall is not included. You will need to choose a screw or a fitting which is suitable for securing the bracket to the kind of walls that you have.

If in doubt, contact your local professional.