


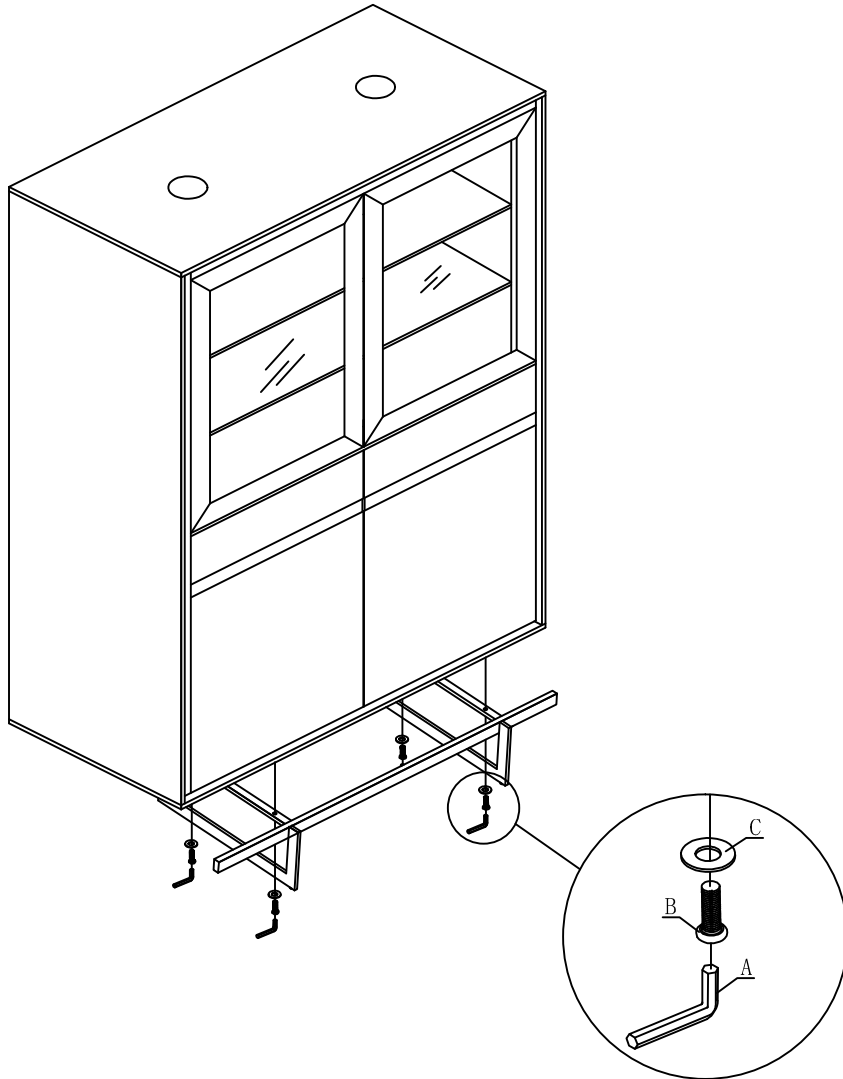


VERSION: 608Y1. 1-1

SETTING FITTINGS

FITTING	SPEC.	AMOUNT	FITTING	SPEC.	AMOUNT
A	 4mm	1PC	B	 M6*30	4PCS
C	 $\phi 13 * \phi 7 * 1$	4PCS			

STEP 1



STEP 2

