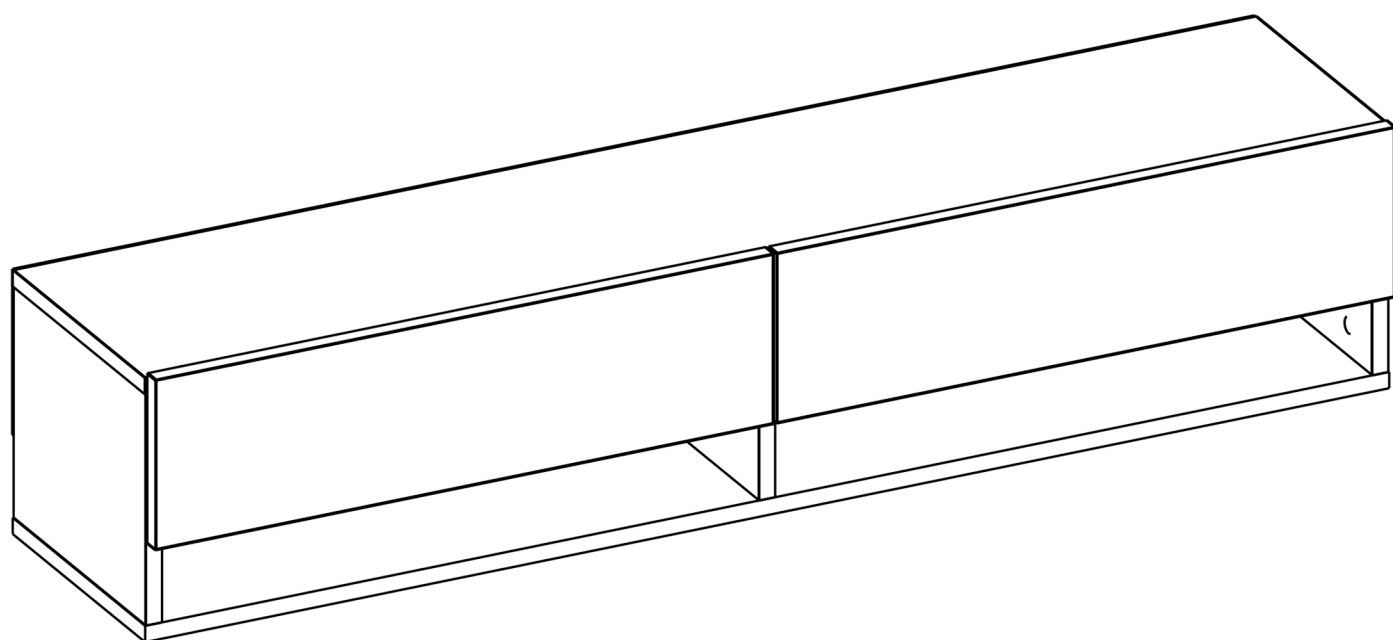


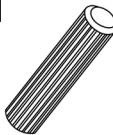
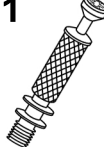

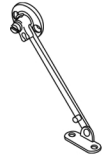


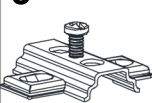
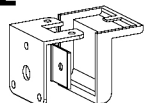

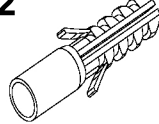
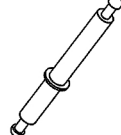
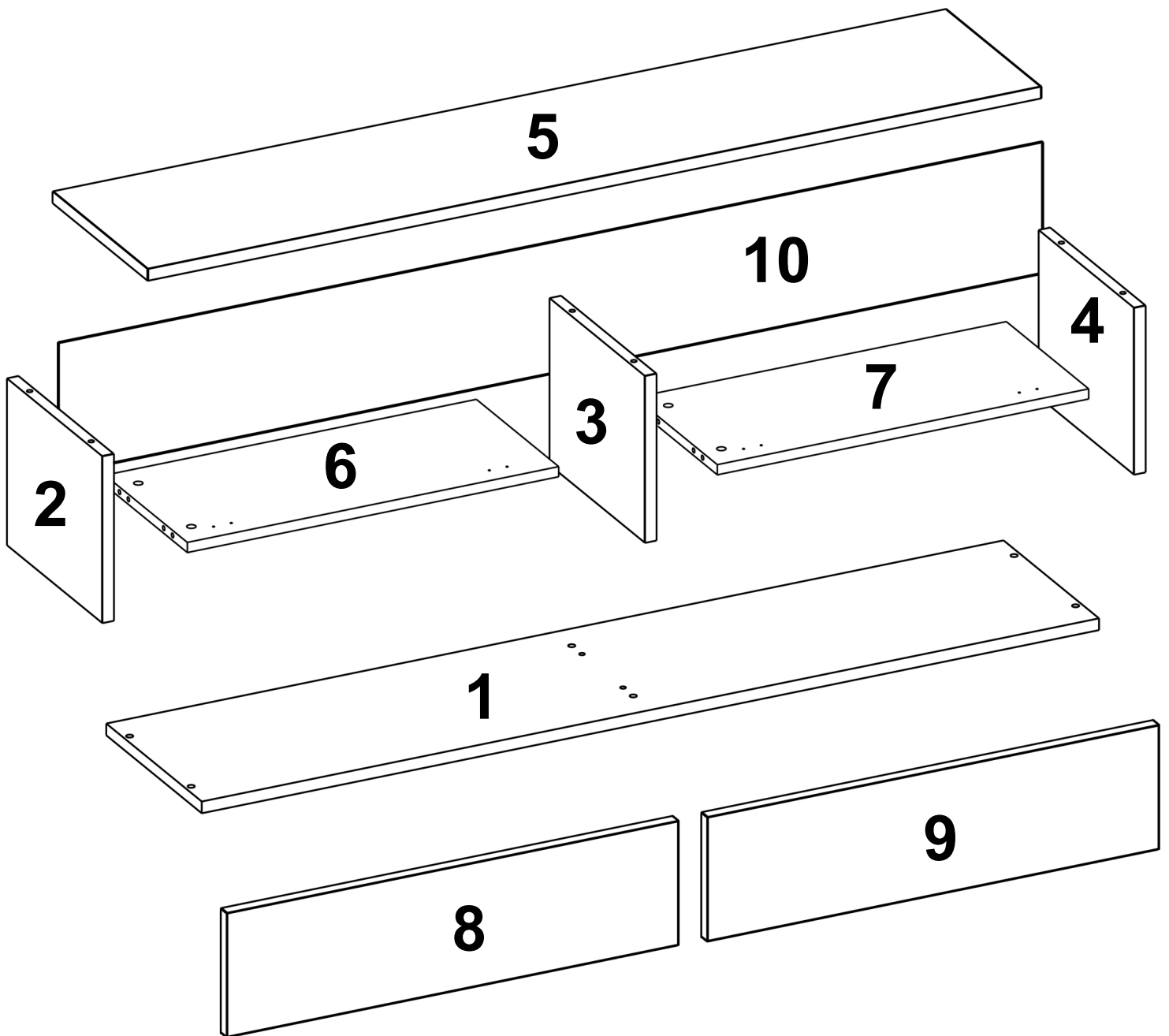
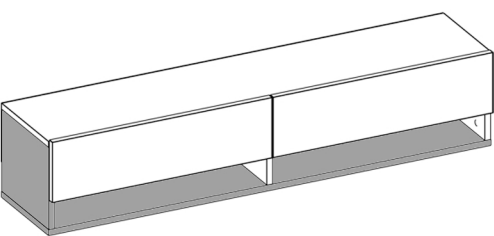


FR11



1  B0501 x16	1  B0502 x20	1  B0503 x16	1  B0504 x16	2  B0301 x44
P  B1102 x4	2  B0318 x28	3  B0101 x4	3  B0105 x4	2  B1303 x6
2  B0306 x6	2  B0317 x6	2  B0506 x2		





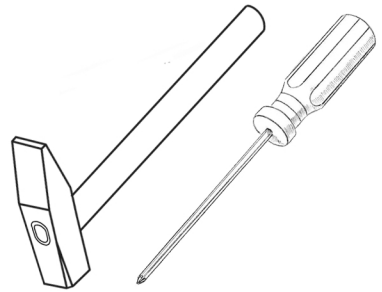
- B0502

X4
- B0503

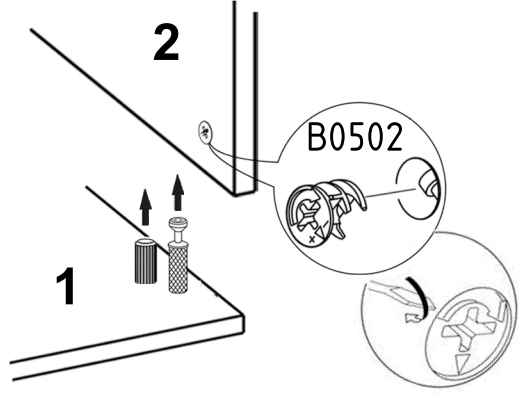
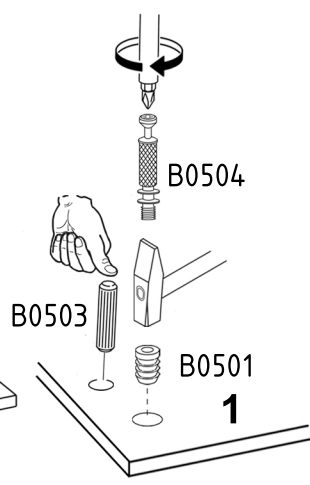
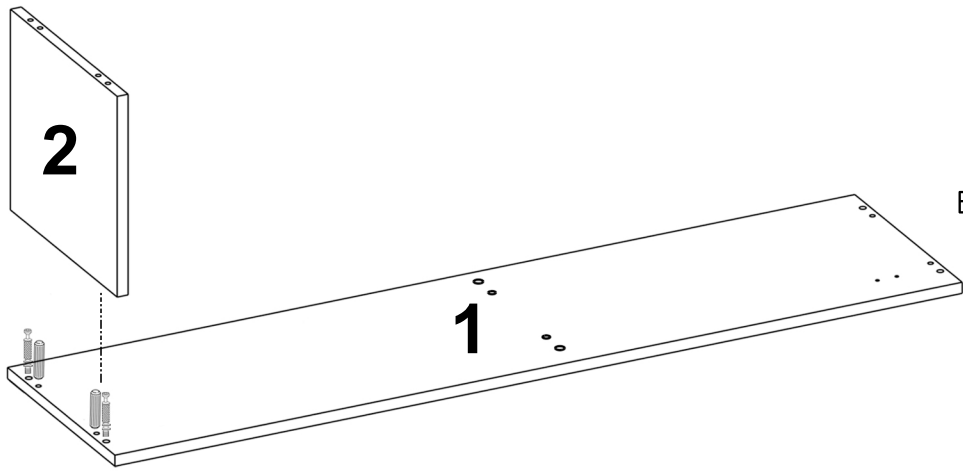
X4
- B0504

X4
- B0501

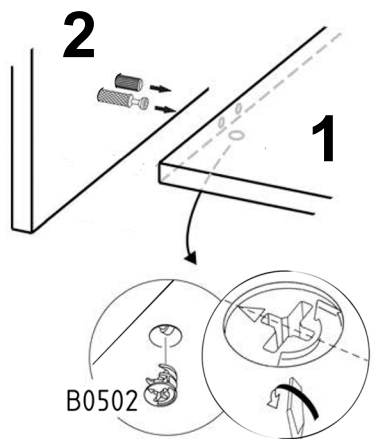
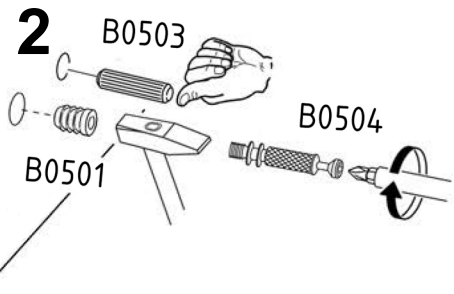
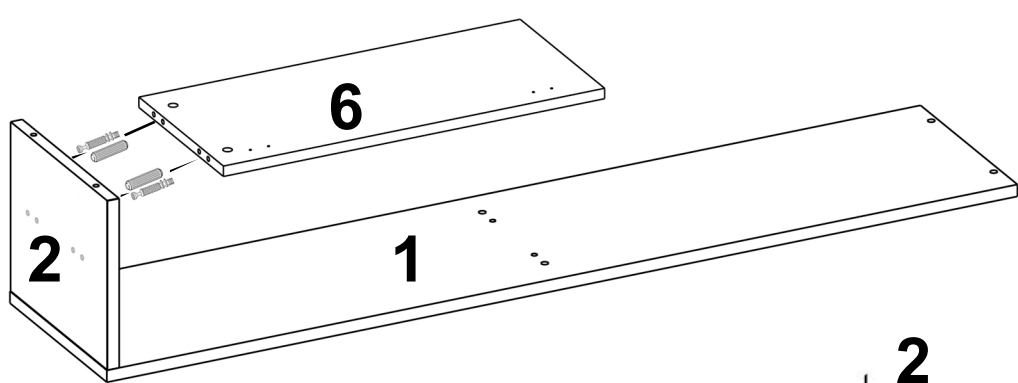
X4



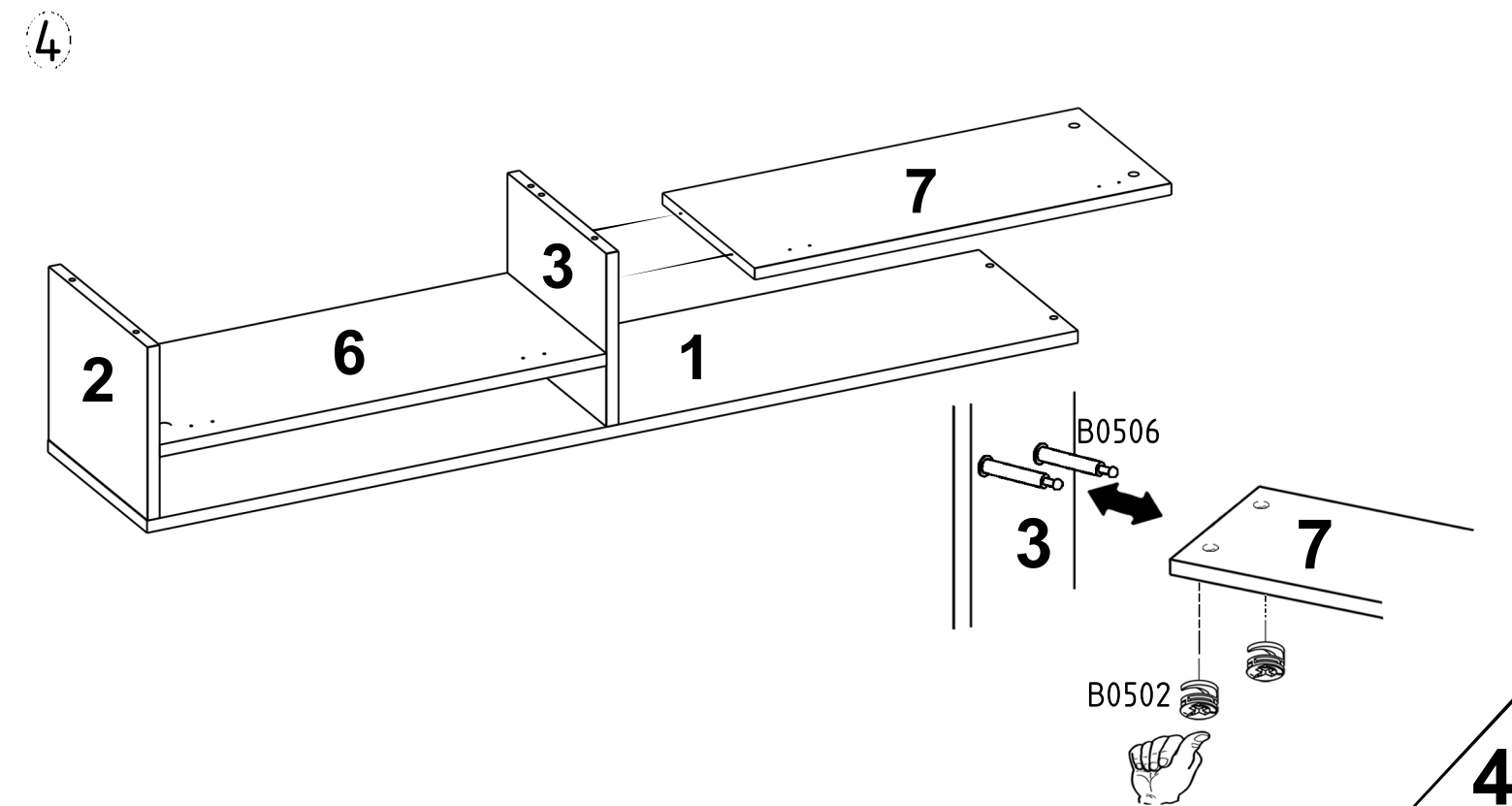
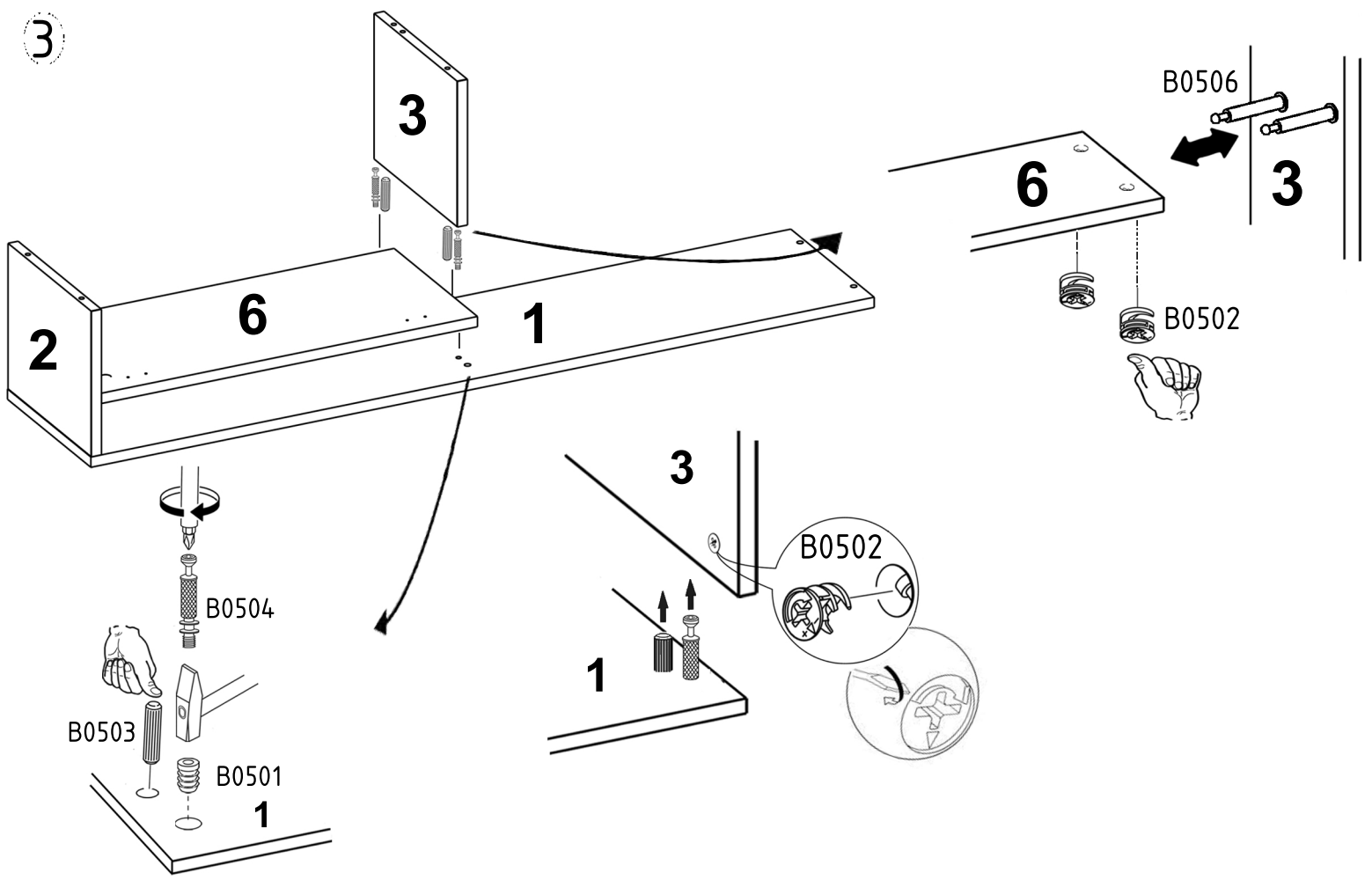
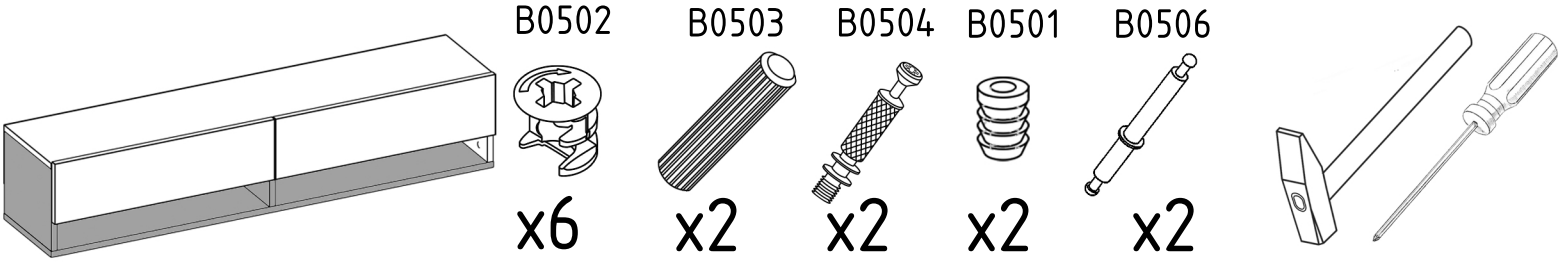
1

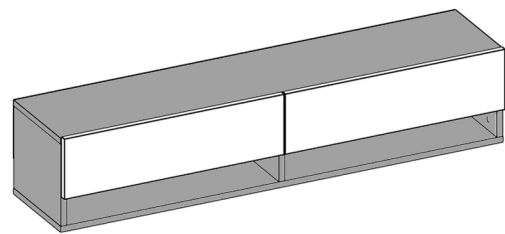


2



3





B0502

B0503

B0504

B0501

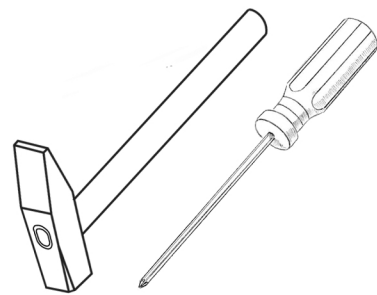


x10

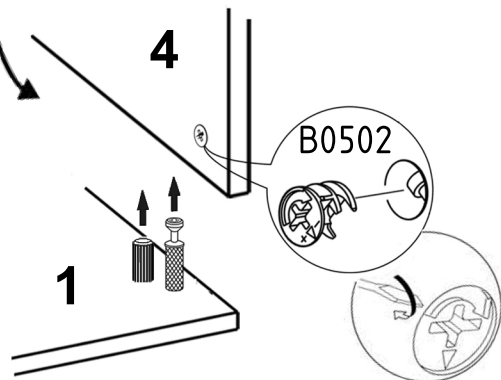
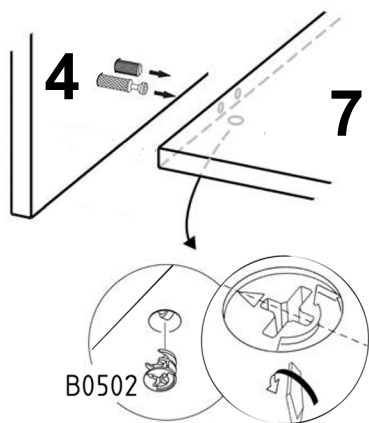
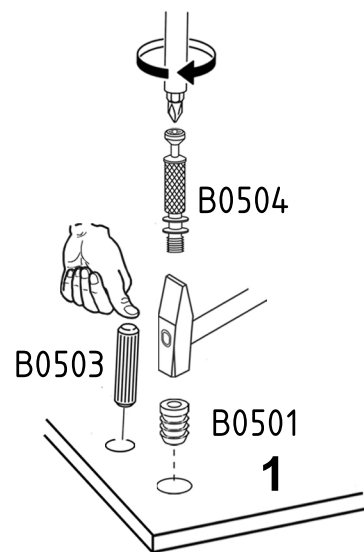
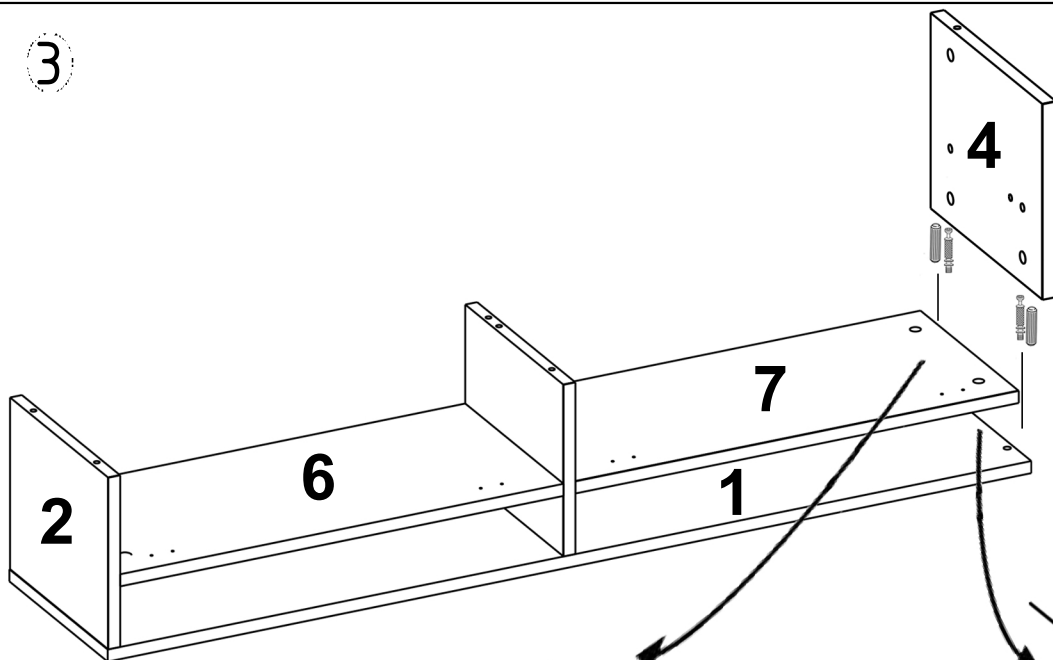
x10

x10

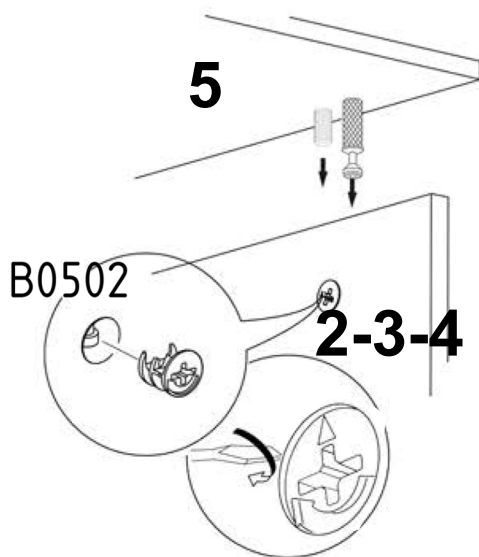
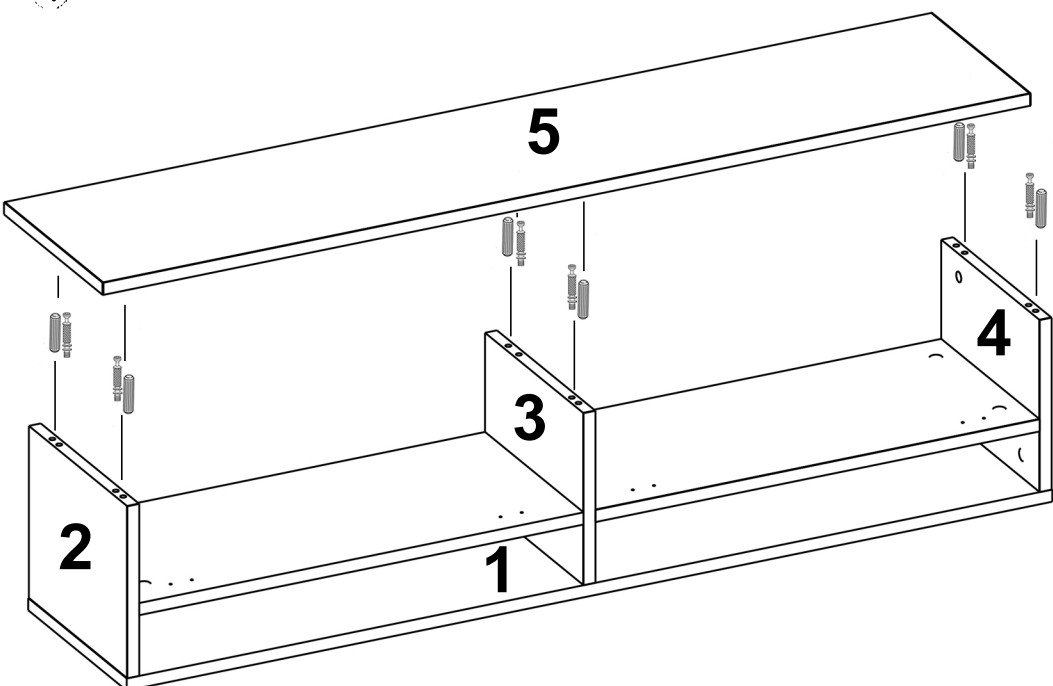
x10



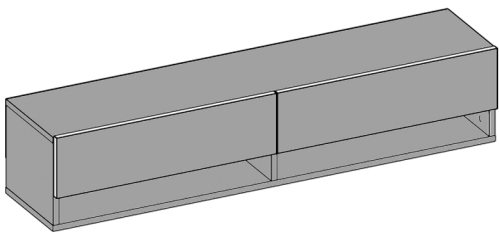
3



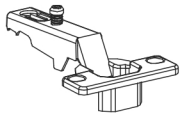
4



5

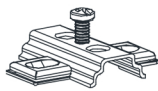


B0101



x4

B0105



x4

B0301

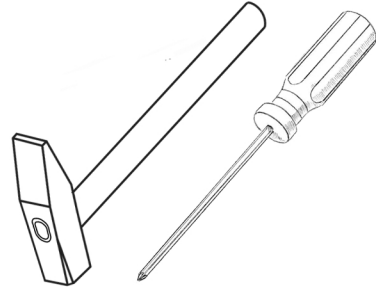


x32

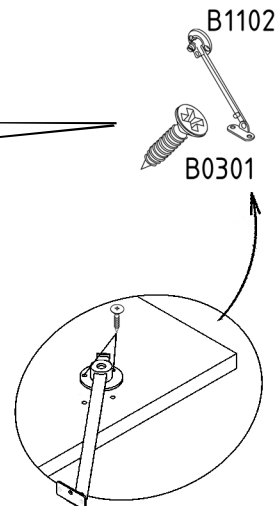
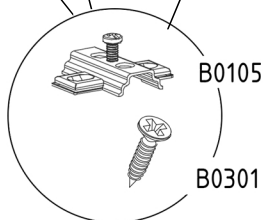
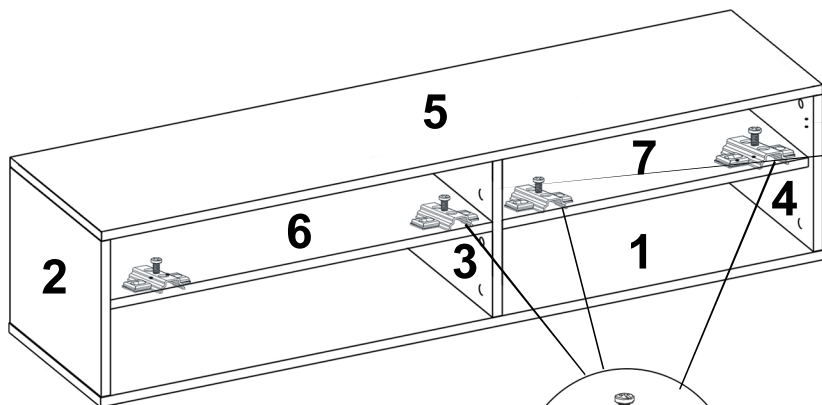
B1102



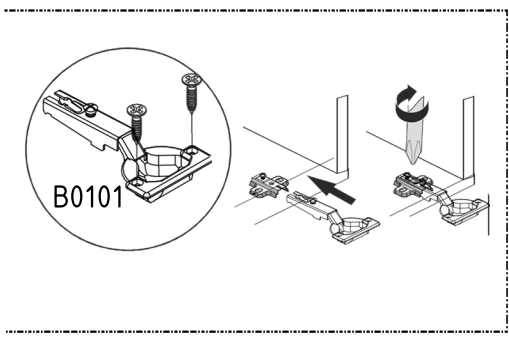
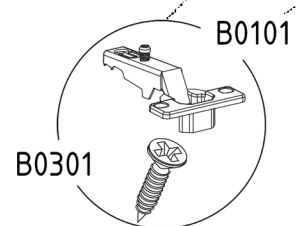
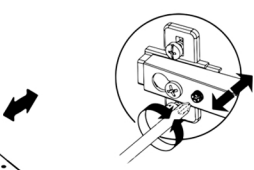
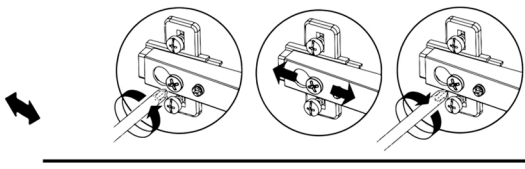
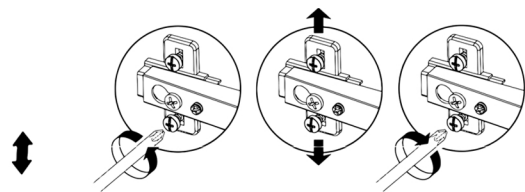
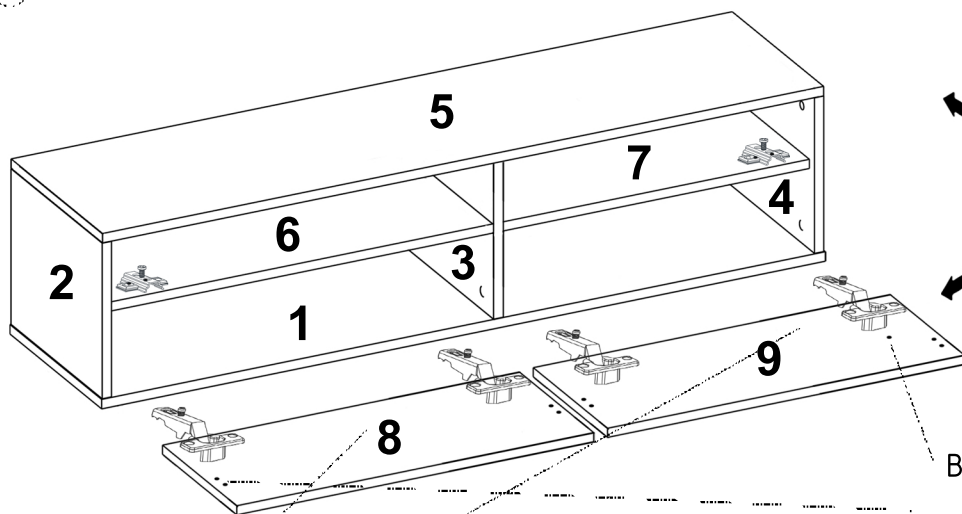
x4

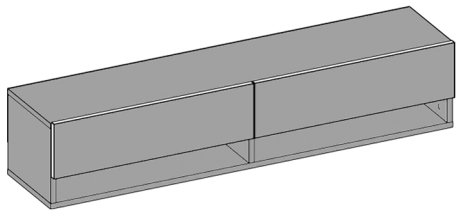


5



6





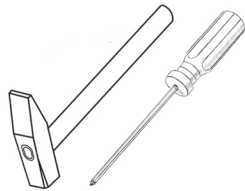
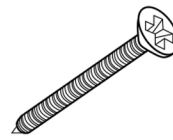
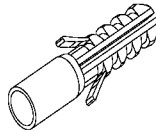
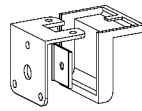
B1303

B0317

B0301

B0306

B0318



x6

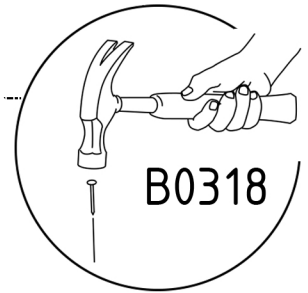
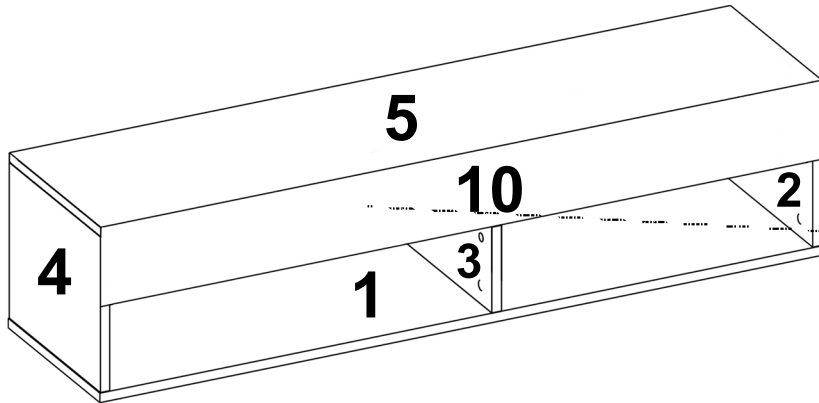
x6

x12

x6

x28

7



8

