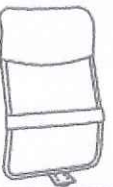
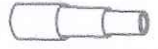

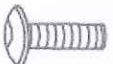
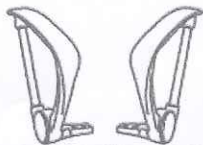
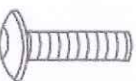
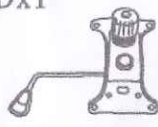
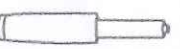
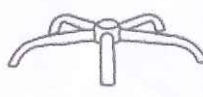



Ax1 	Hx1 
Bx1 	Ix 10 M6x20 SCREW 
Cx1 (L) x1 (R) 	Jx6 M6x25 SCREW 
Dx1 	
Ex1 	
Fx1 	M M6x1 
Gx5 