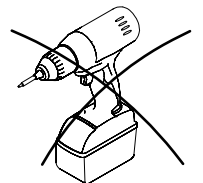
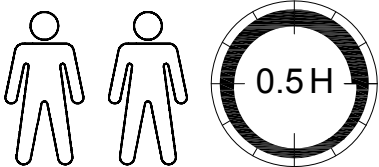
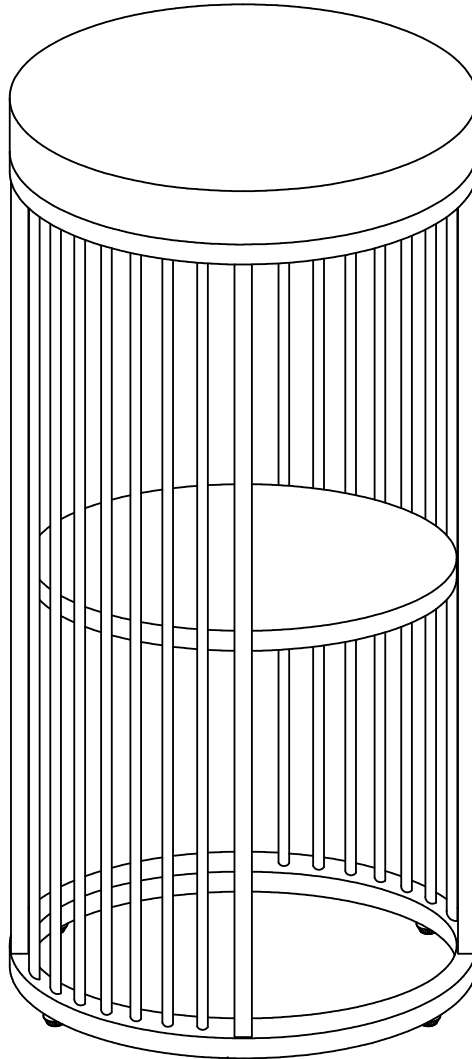
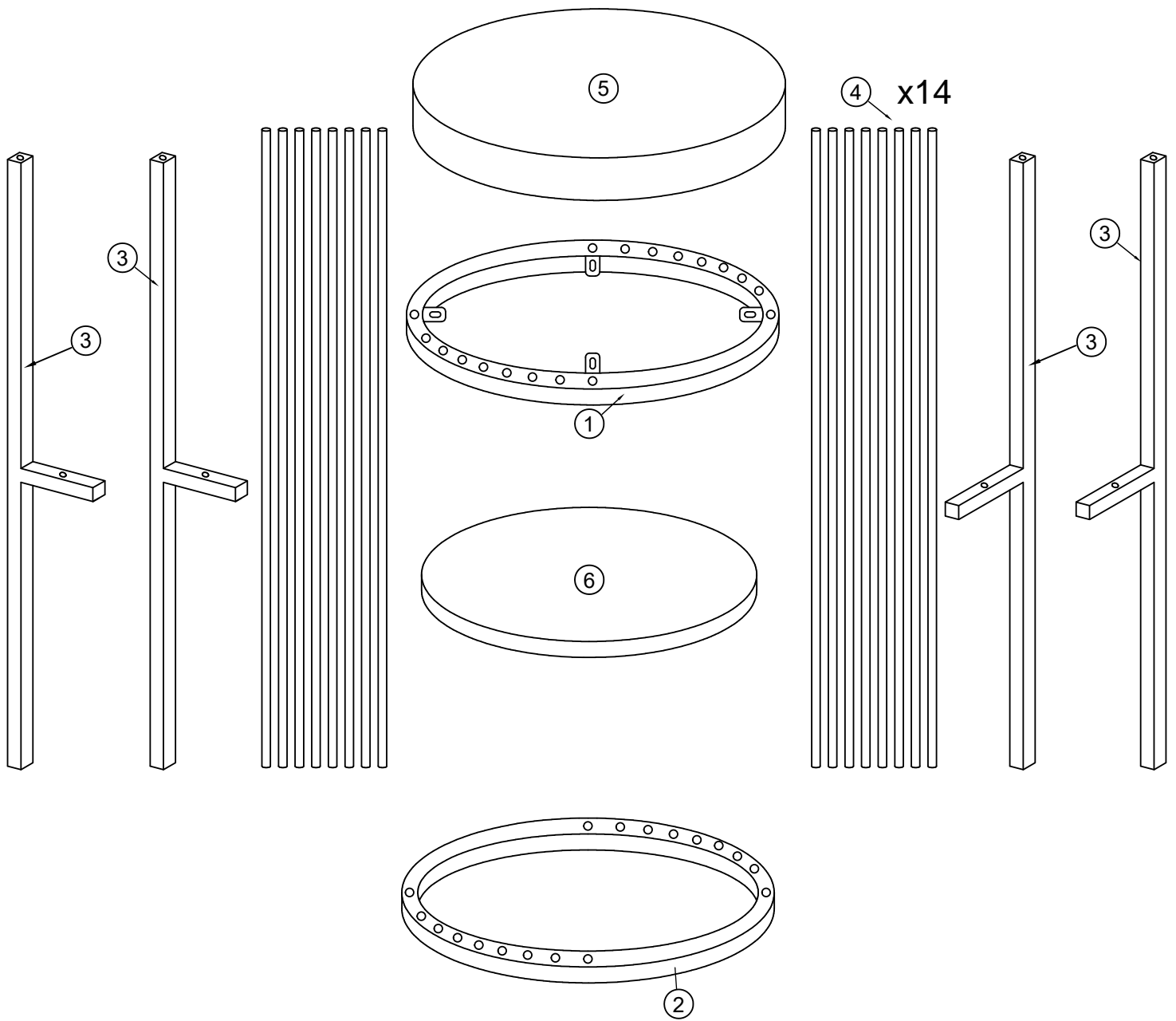
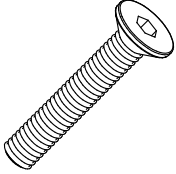
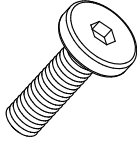
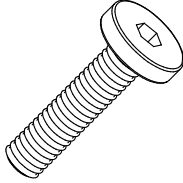
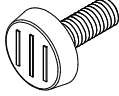
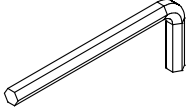


# STRINGTON

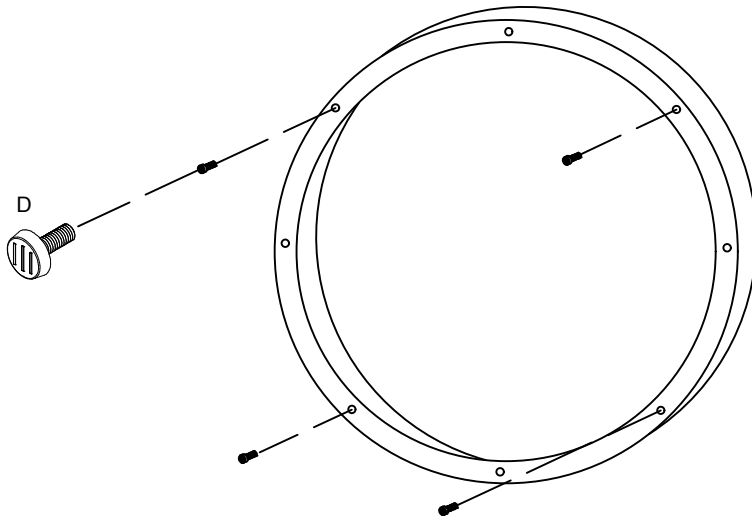
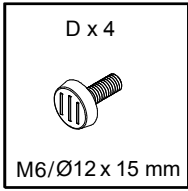


			✓
①	1	Ø345x16	
②	1	Ø345x16	
③	4	571x85x13	
④	14	Ø8x603	
⑤	1	Ø350x40	
⑥	1	Ø315x15	

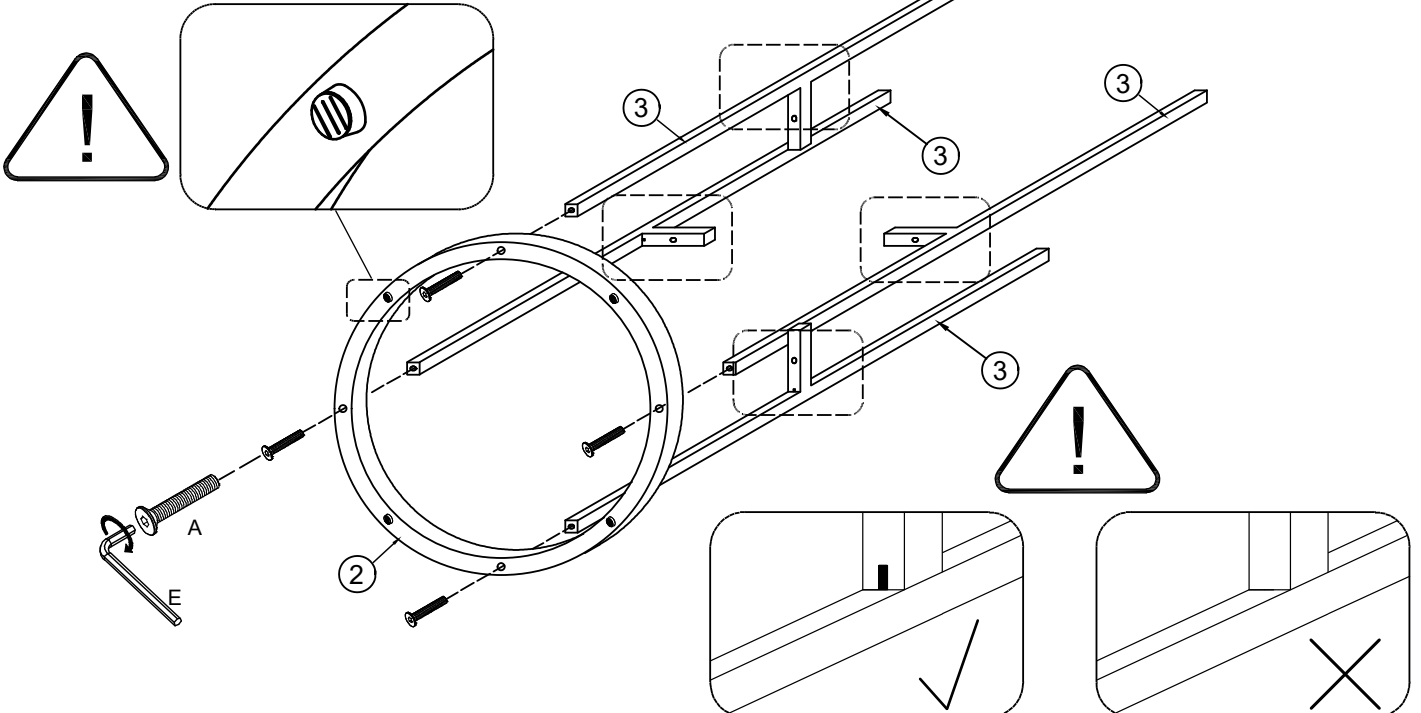
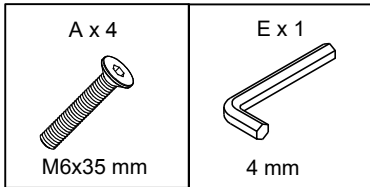


<p>A x 8</p>  <p>M6x35 mm</p>	<p>B x 4</p>  <p>M6x15 mm</p>	<p>C x 4</p>  <p>M6x22 mm</p>	<p>D x 4</p>  <p>Ø12x15 mm</p>	<p>E x 1</p>  <p>4 mm</p>
--	--	--	---	--


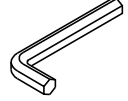
1

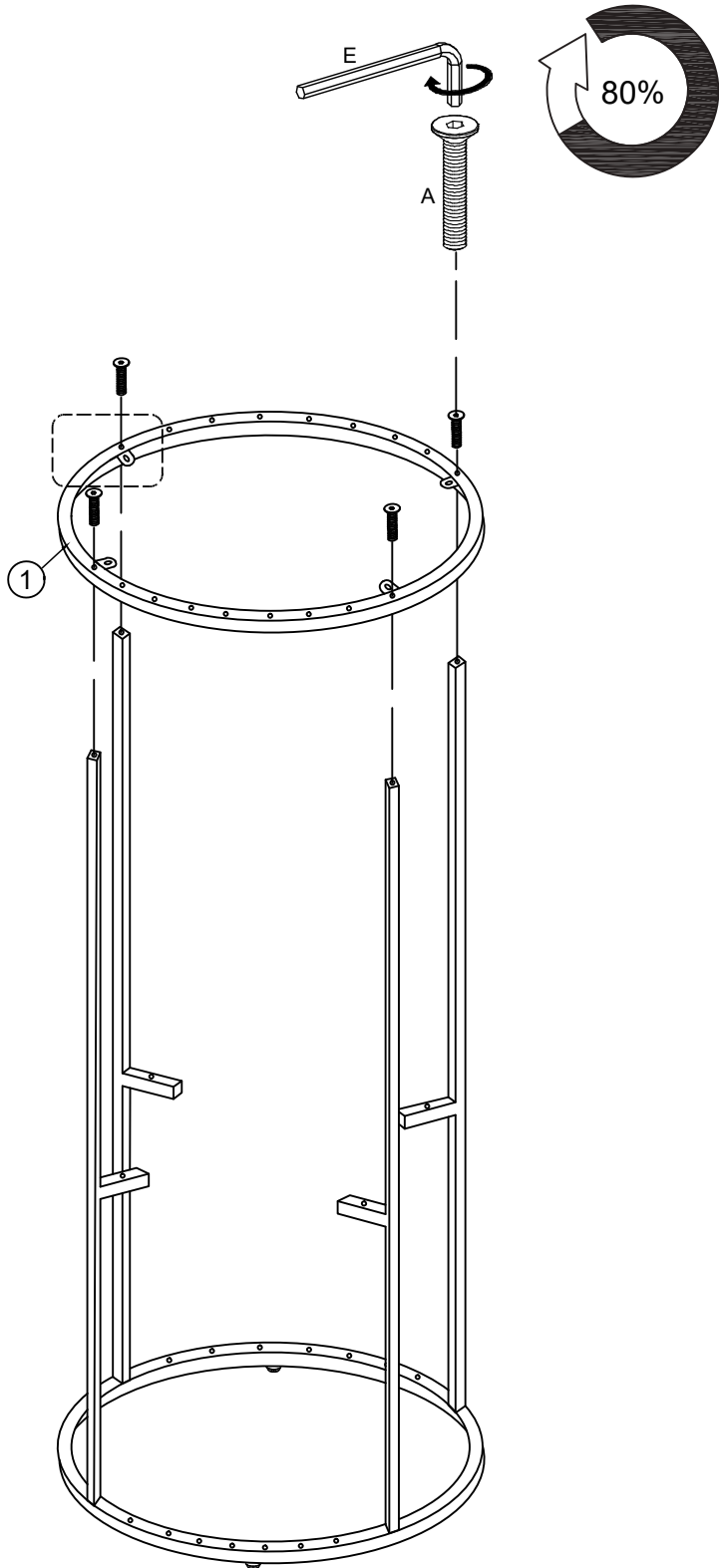
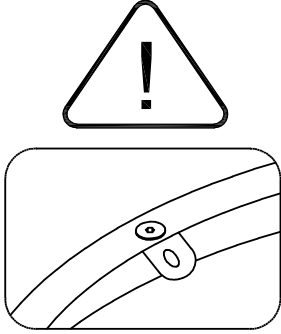


2

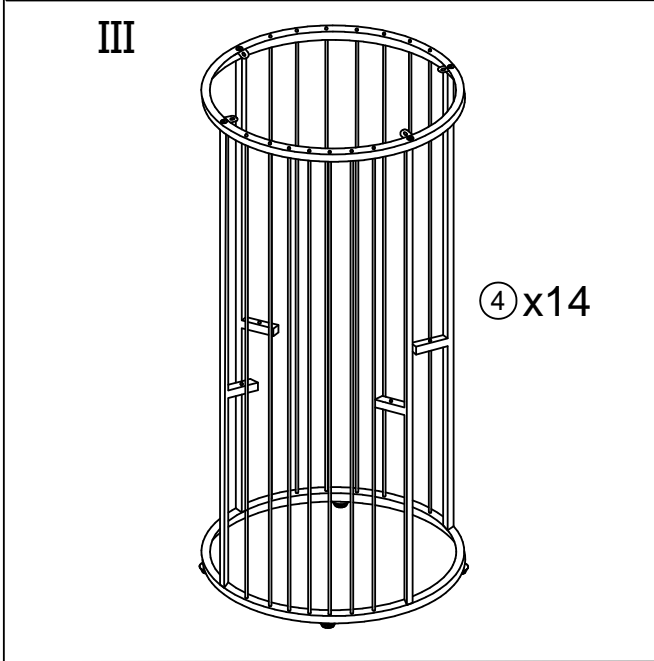
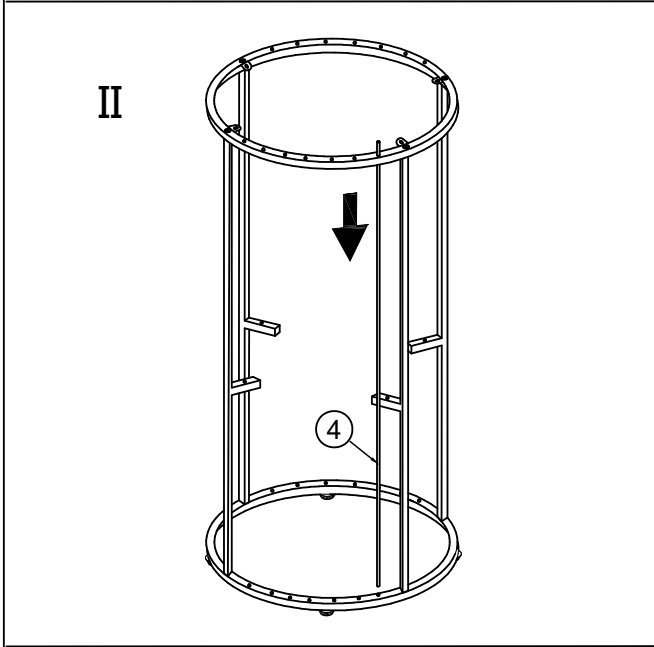
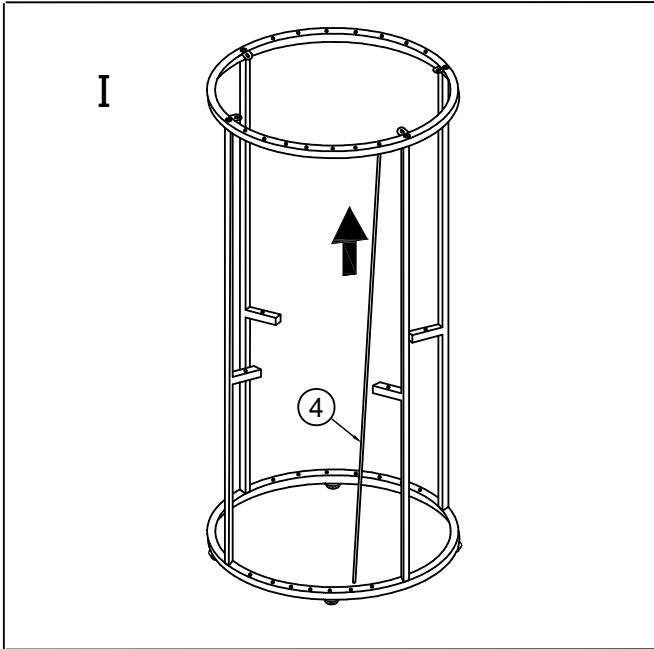
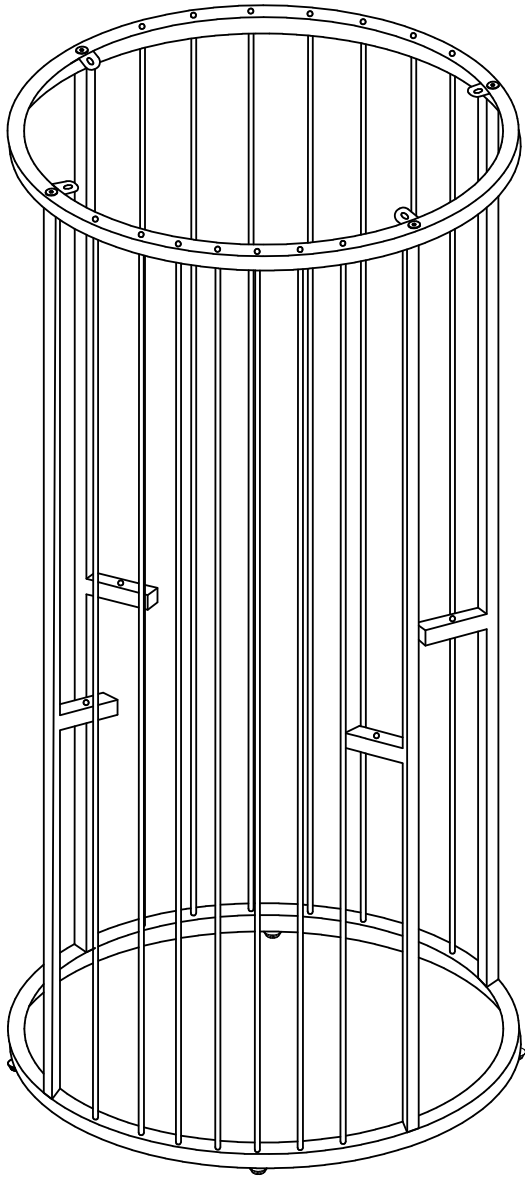


# 3

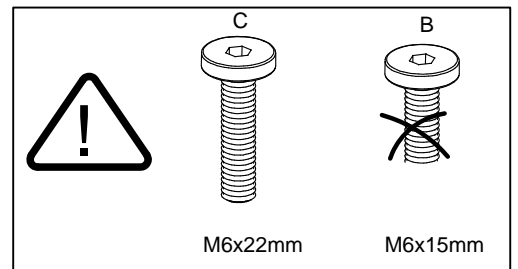
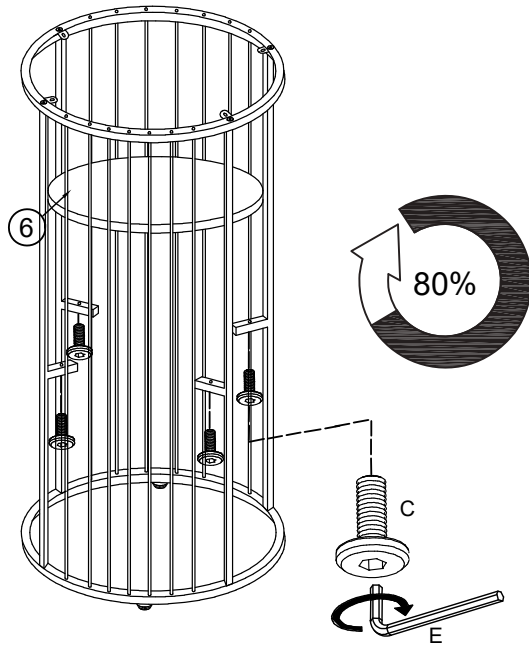
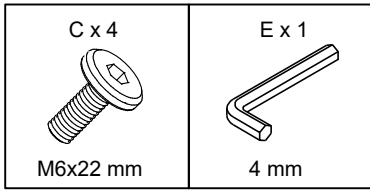
A x 4  M6x35 mm	E x 1  4 mm
--	--



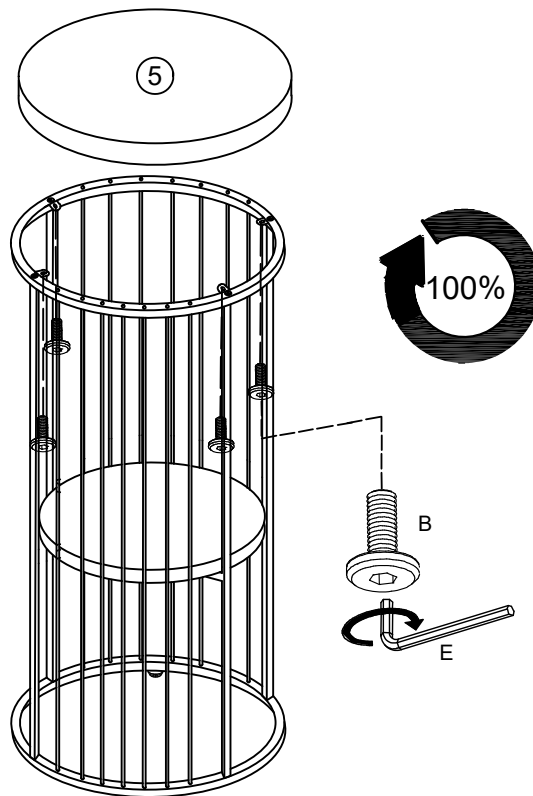
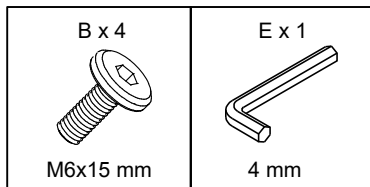
4



# 5

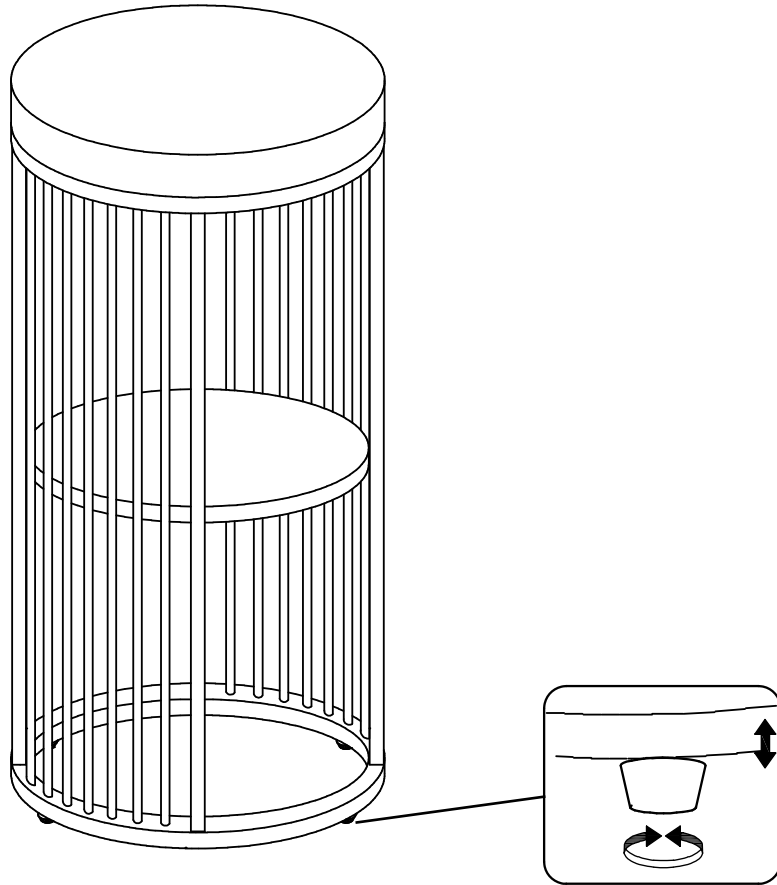


# 6



Ax8  
Bx4  
Cx4

7



8

