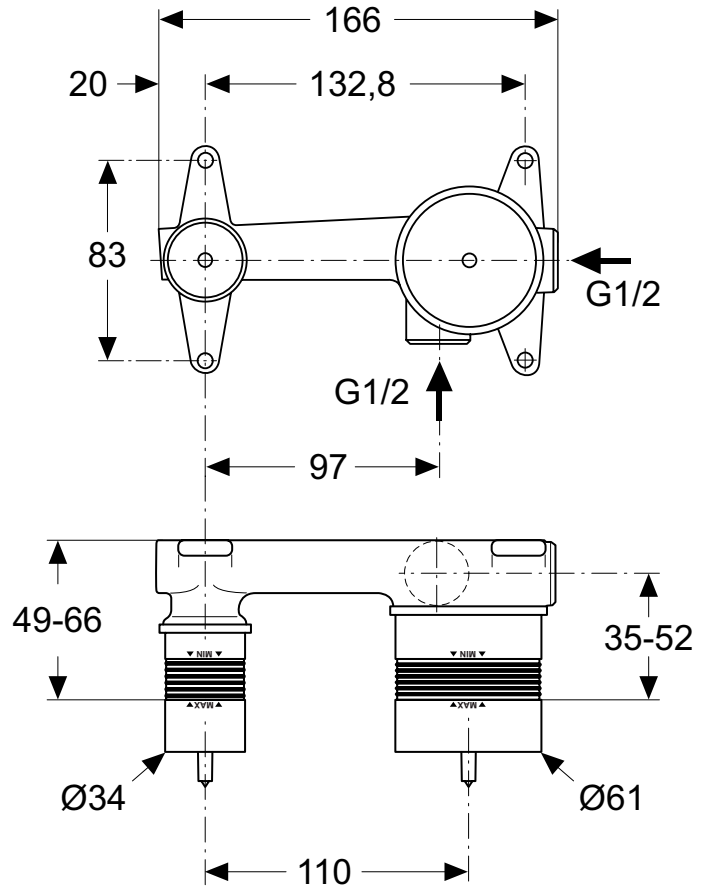
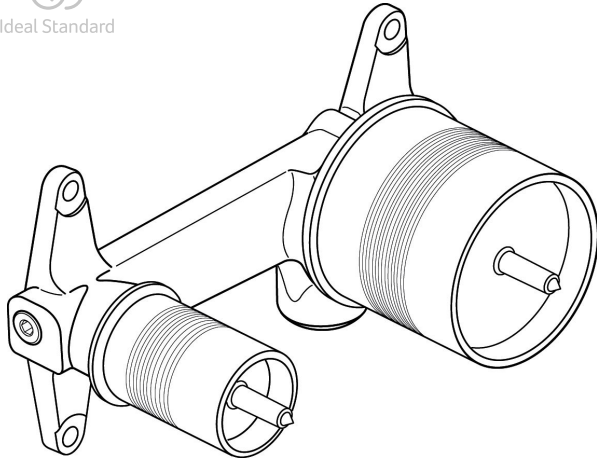




Ideal Standard

## Tap Ancillary

## Melange



Article-No.: A5948NU

### Built-in unit for A5591AA Kit1

KIT1, internal part, G1/2 connection

Colour: NU - Unfinished

#### More product details:

Type:	Kit 1
Mounting:	Built-in
Style:	Contemporary
Accreditations:	WRAS
Operation Pressure (bar):	3
Flow Rate (litre):	25
Net Weight (kg):	1,26
Material:	Mixed material
Height (mm):	83
Width (mm):	166
Depth (mm):	66