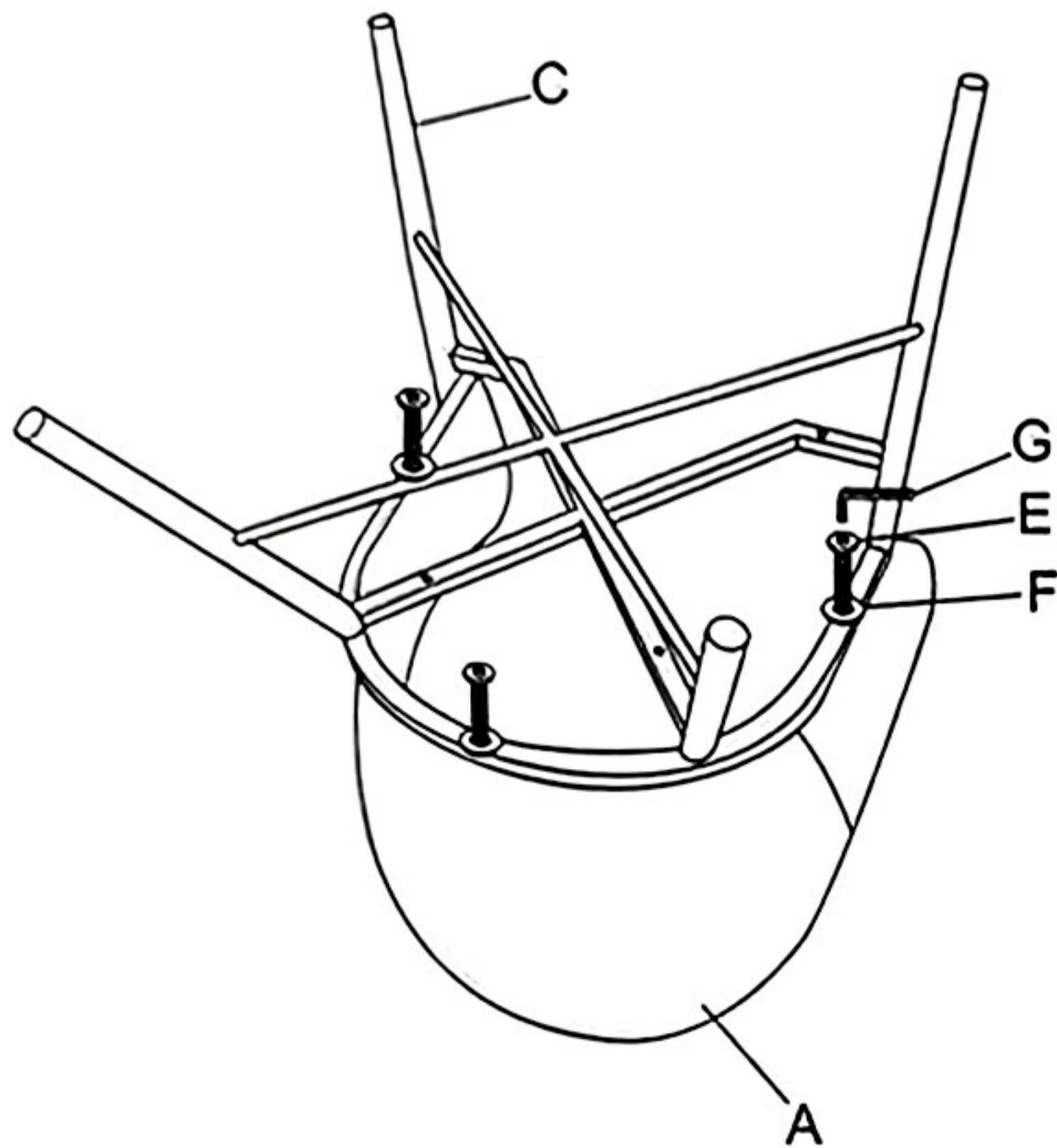
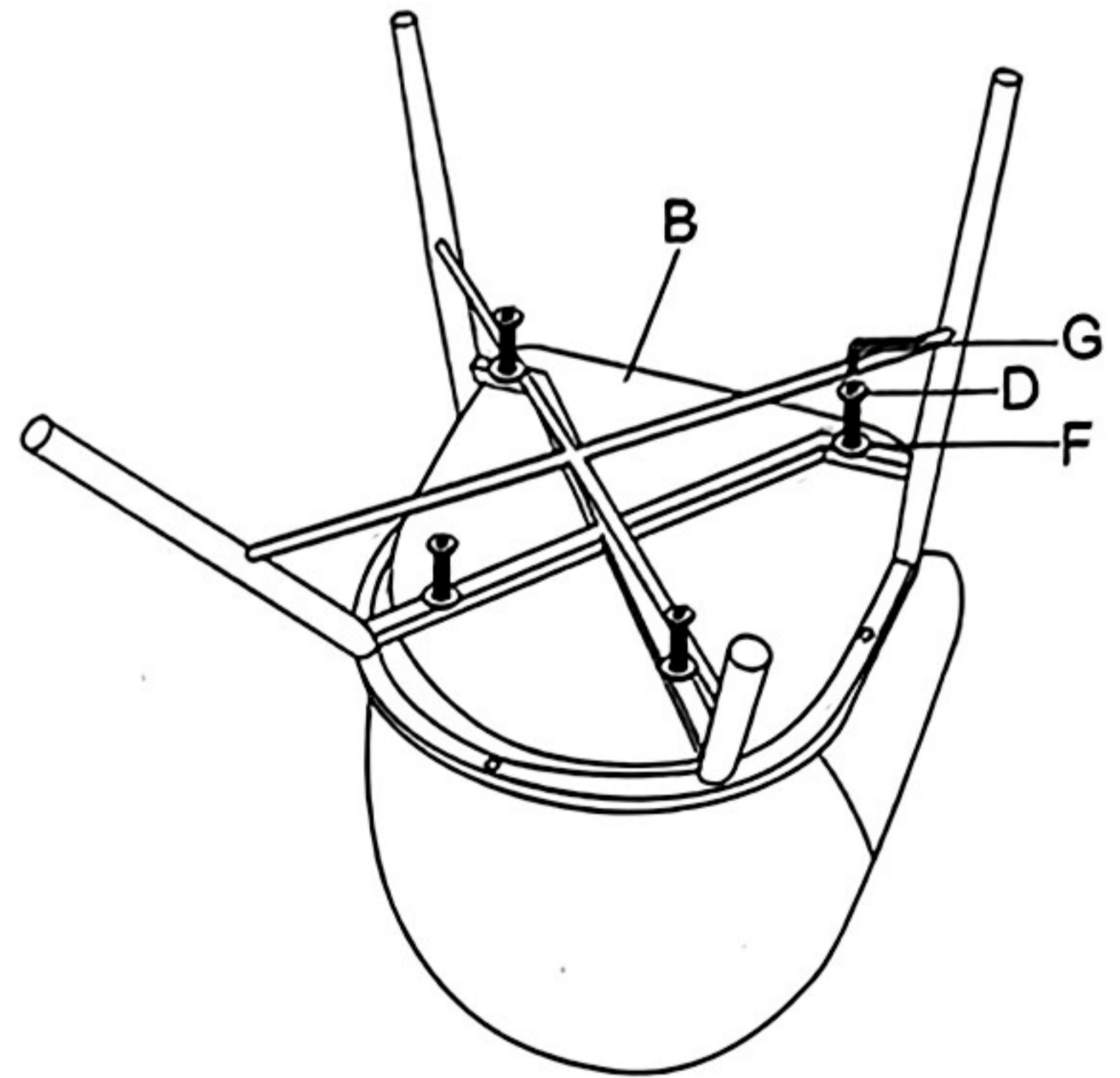


ASSEMBLY INSTRUCTION

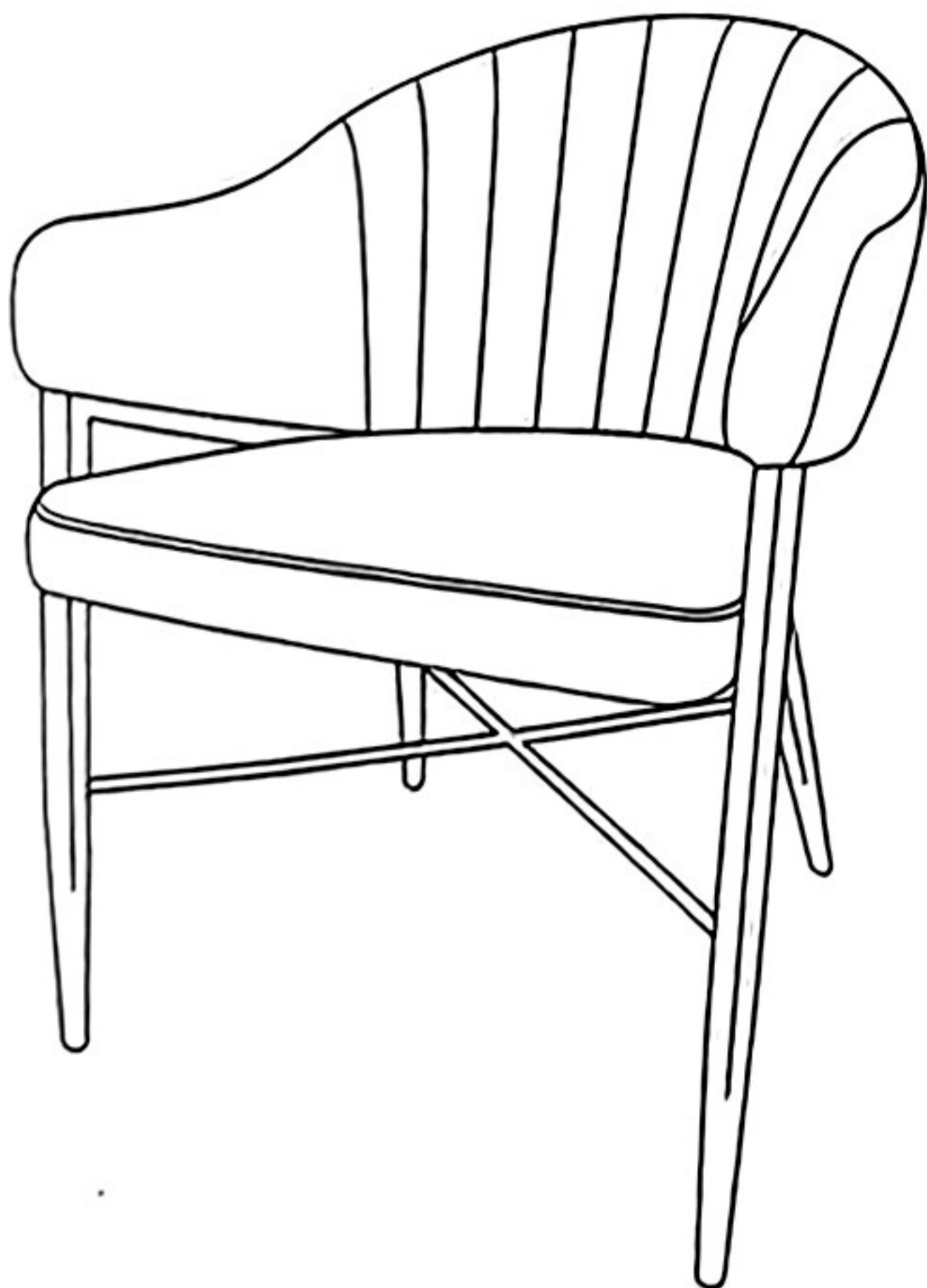
1



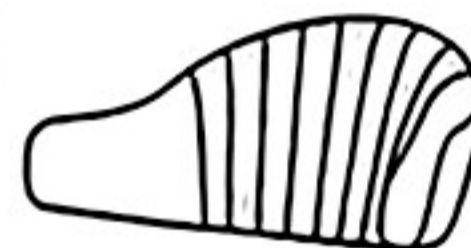
2



3



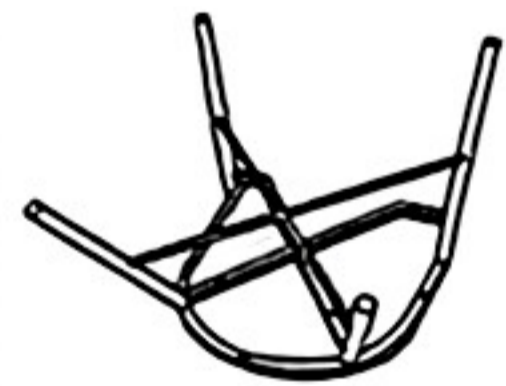
Ax1



Bx1



Cx1



Dx4



M6x35mm

Ex3



M6x55mm

Fx7



M6x18mm

Gx1



5mm