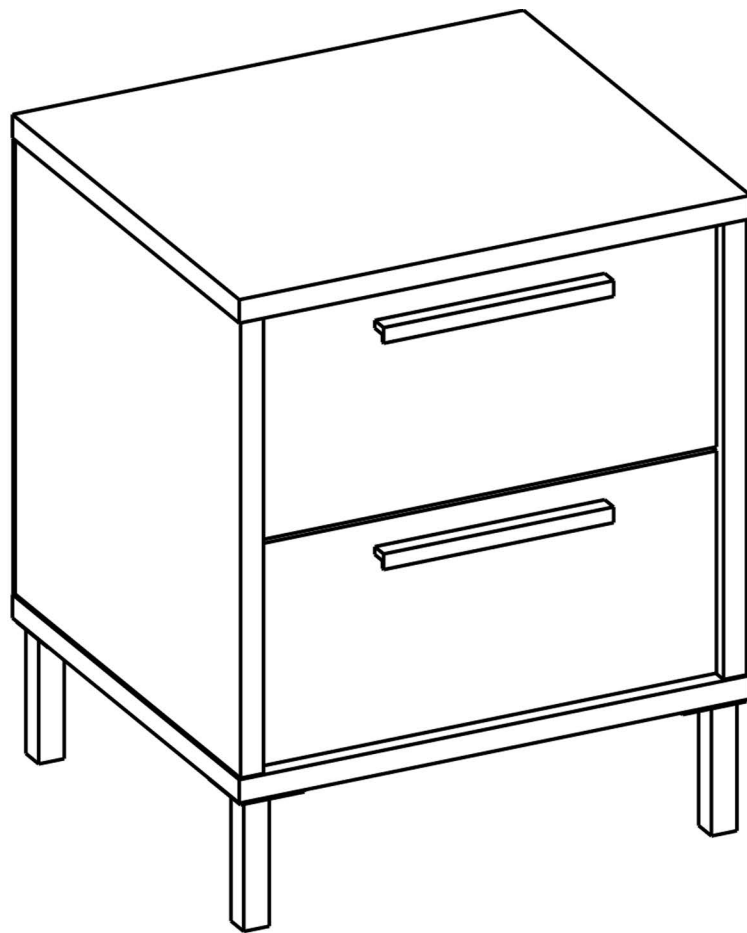


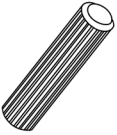


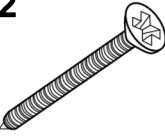


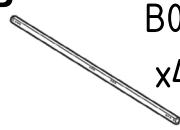

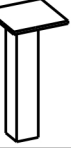
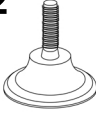


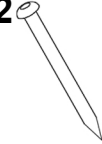
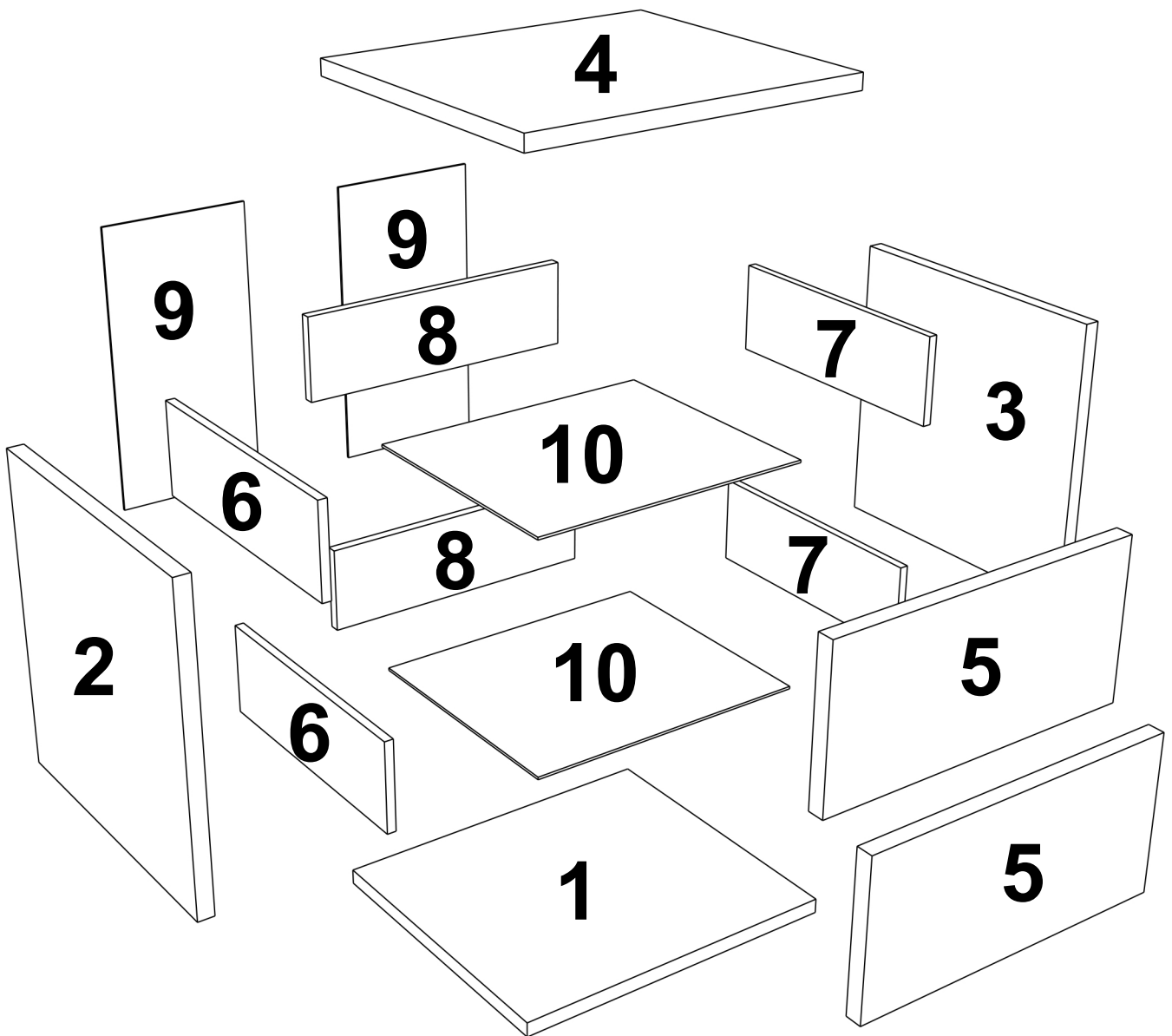
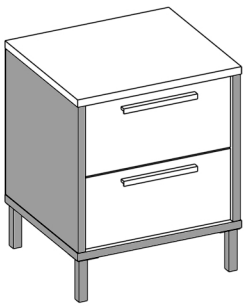


LV24

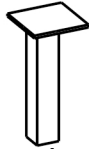


1  B0501 x8	1  B0502 x8	1  B0503 x8	1  B0504 x8	2  B0301 x20
2  B0304 x8	1  B0511 x8	1  B0510 x8	P  B0906 x4	2  B0328 x4
P  D0154 x4	2  B1702 x4	2  B0307 x4	2  B0201 x2	2  B0318 x15





D0154



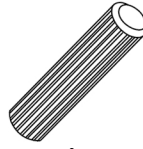
x4

B0502



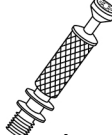
x4

B0503



x4

B0504



x4

B0501

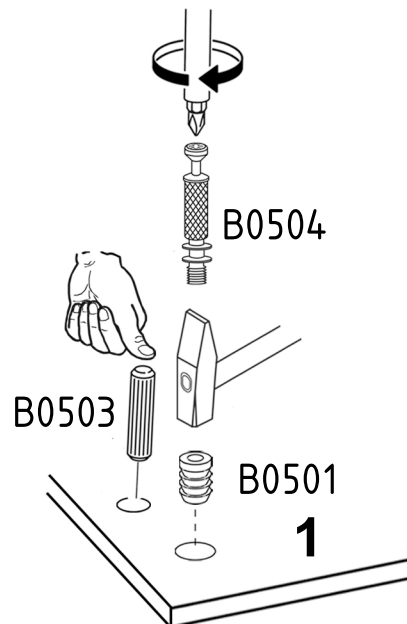
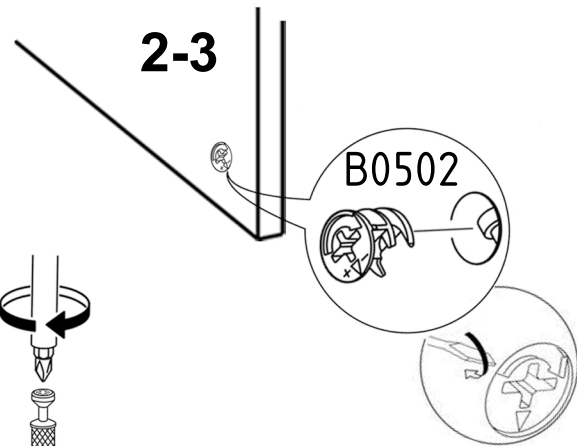
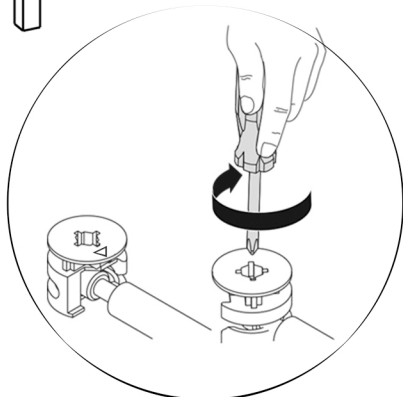
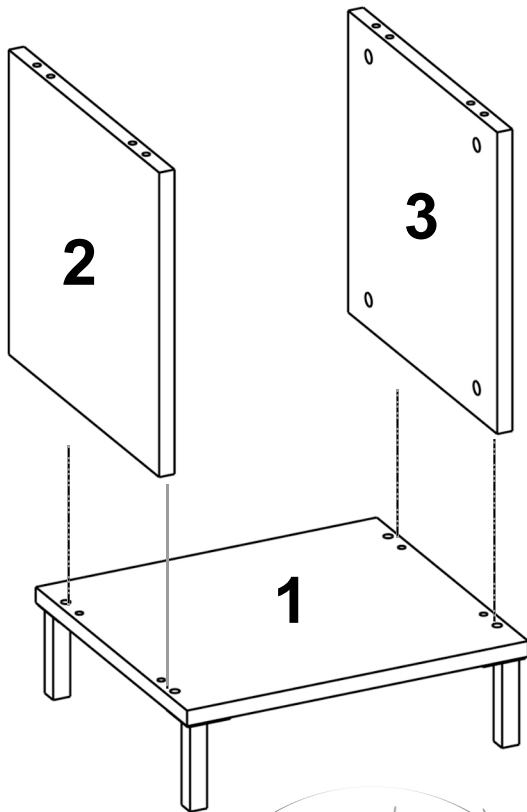
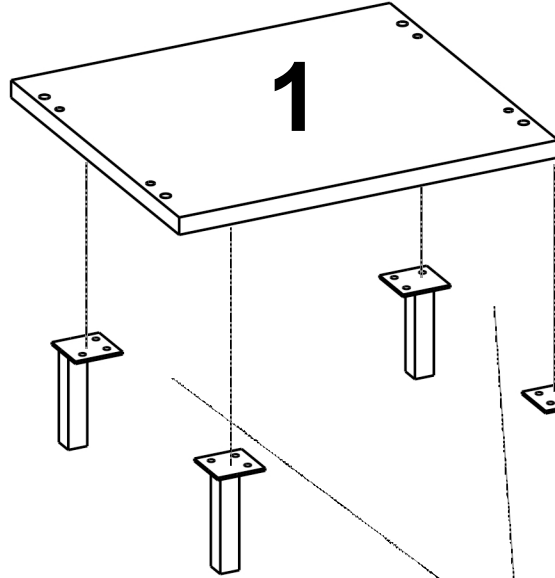
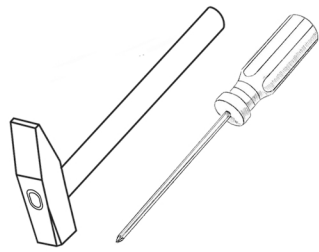


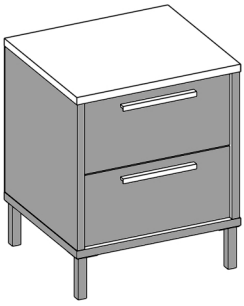
x4

B0301



x12





B0510

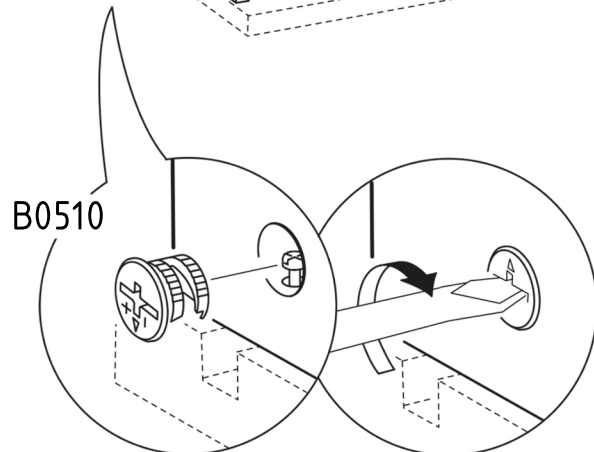
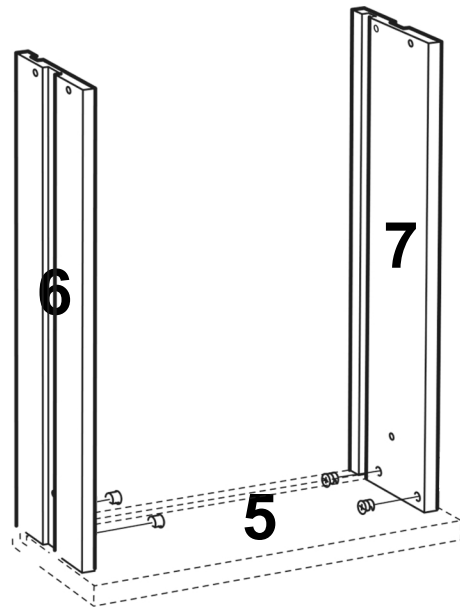
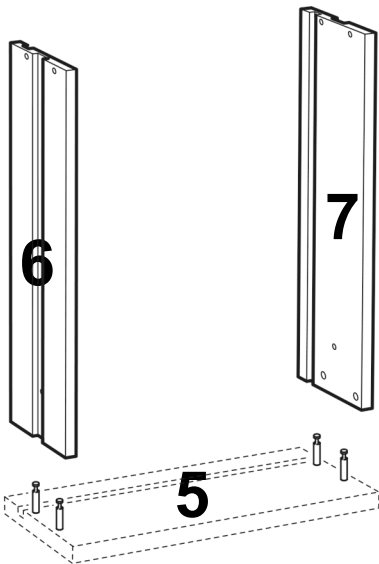
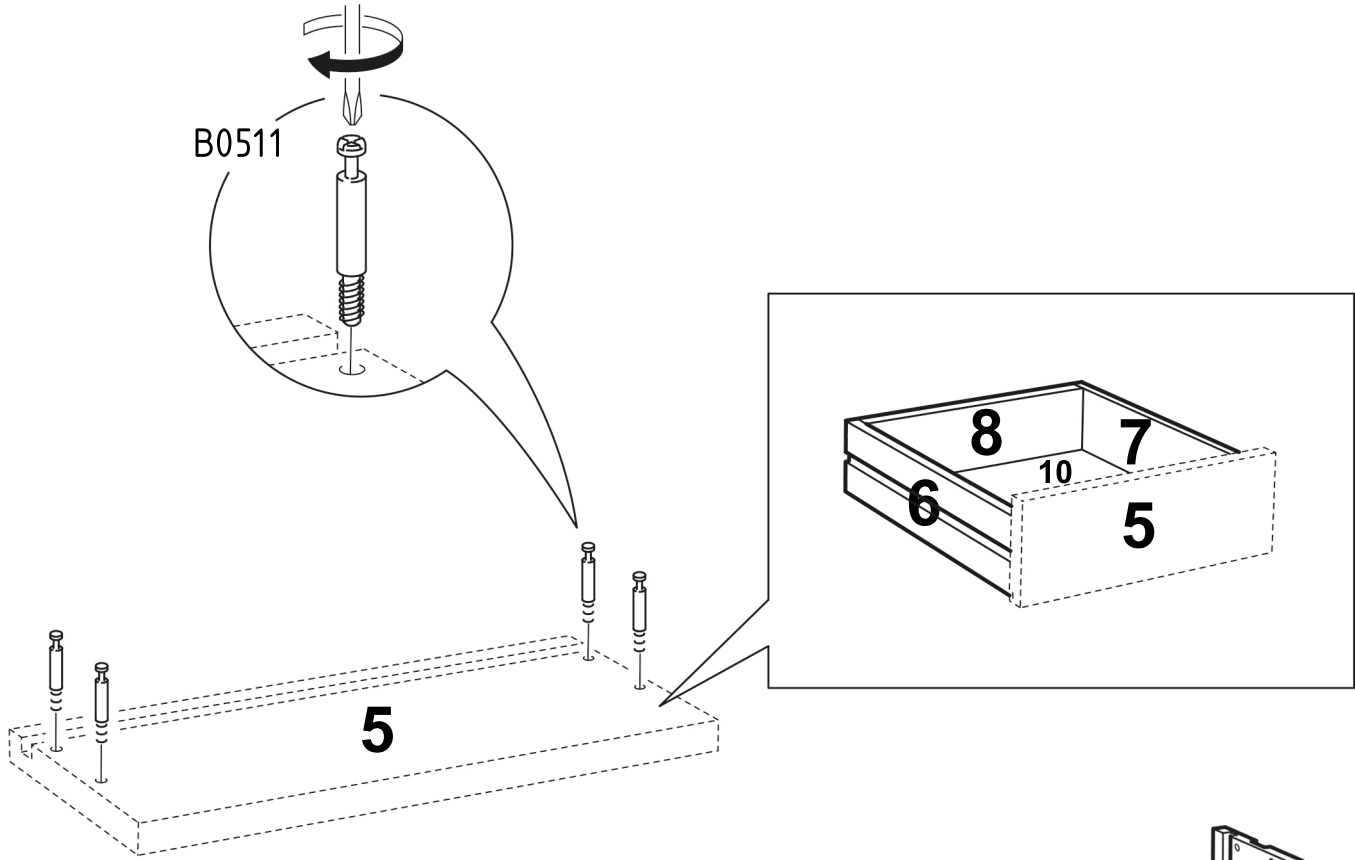
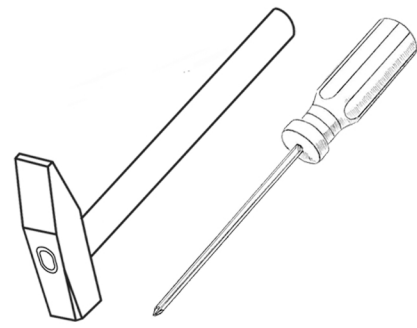


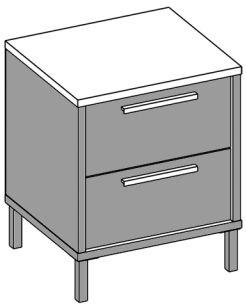
x8

B0511



x8





B0906



x4

B0304



x8

B0301

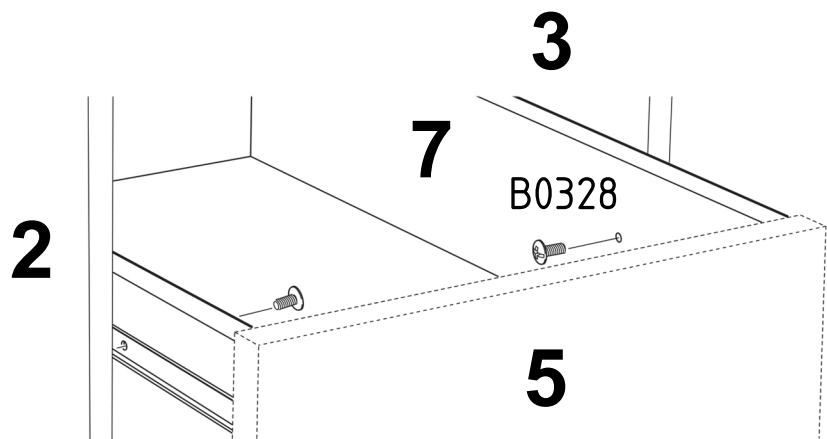
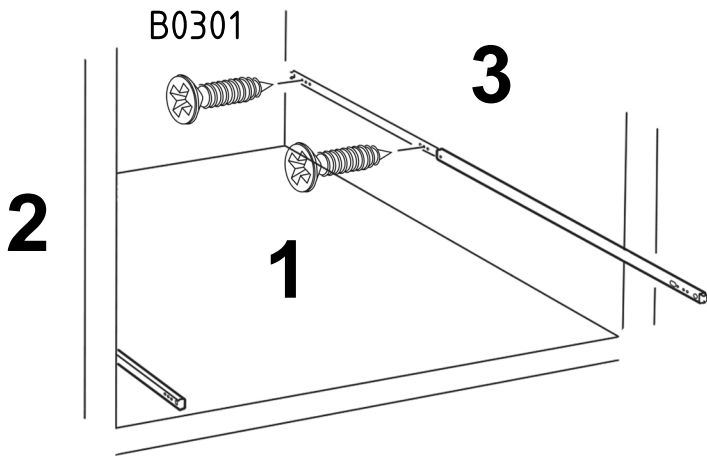
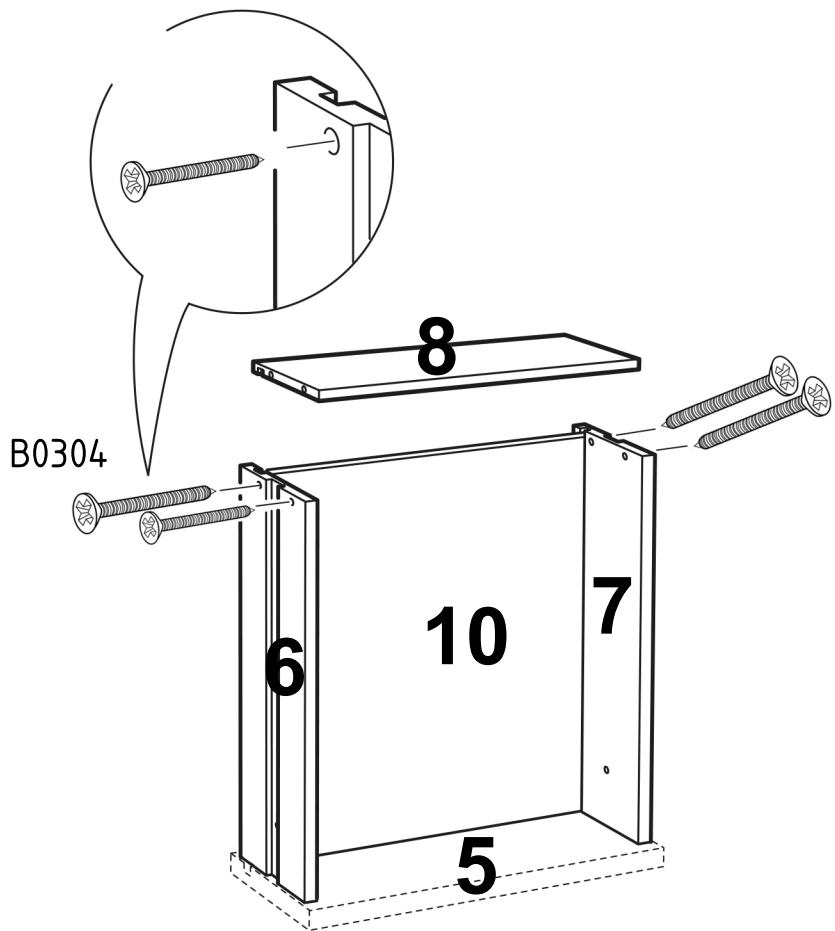
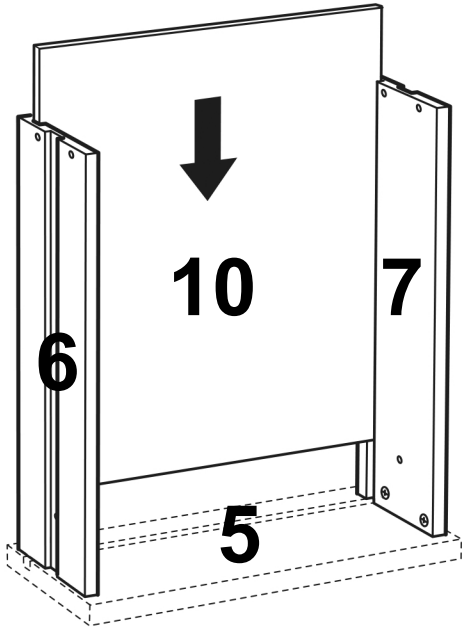
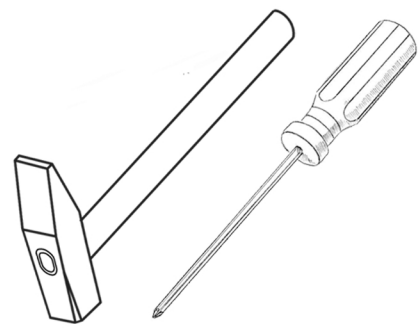


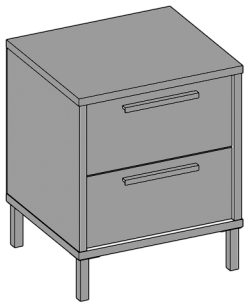
x8

B0328



x4



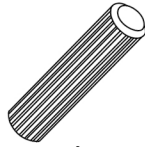


B0502



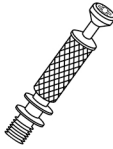
x4

B0503



x4

B0504



x4

B0501



x4

B0307

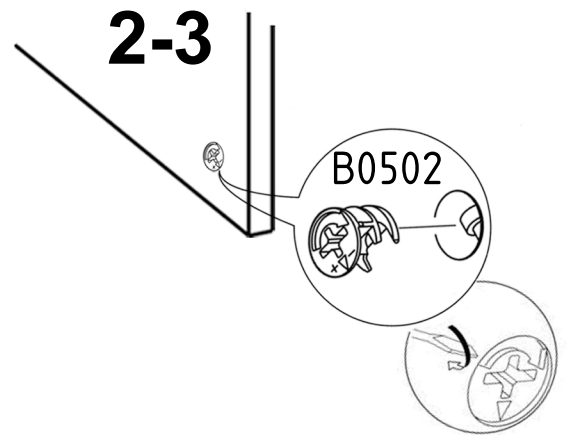
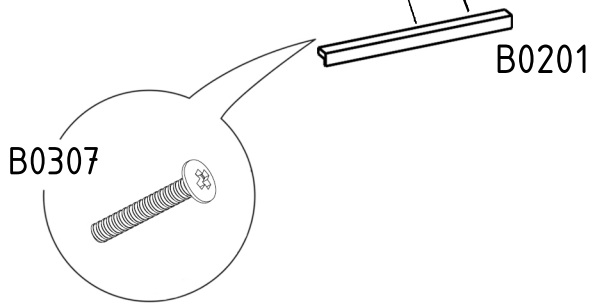
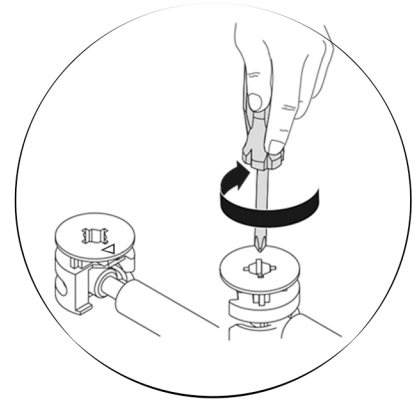
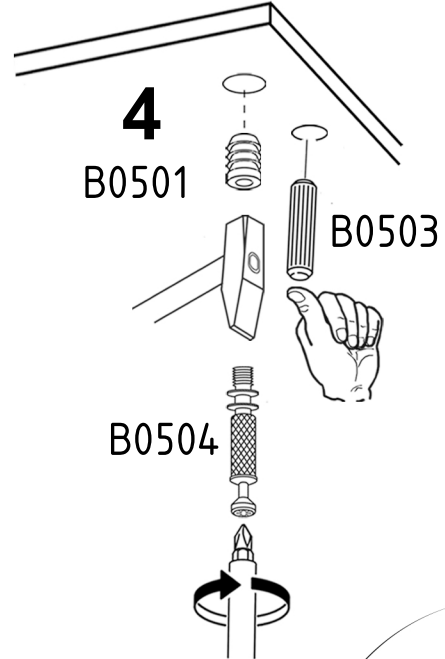
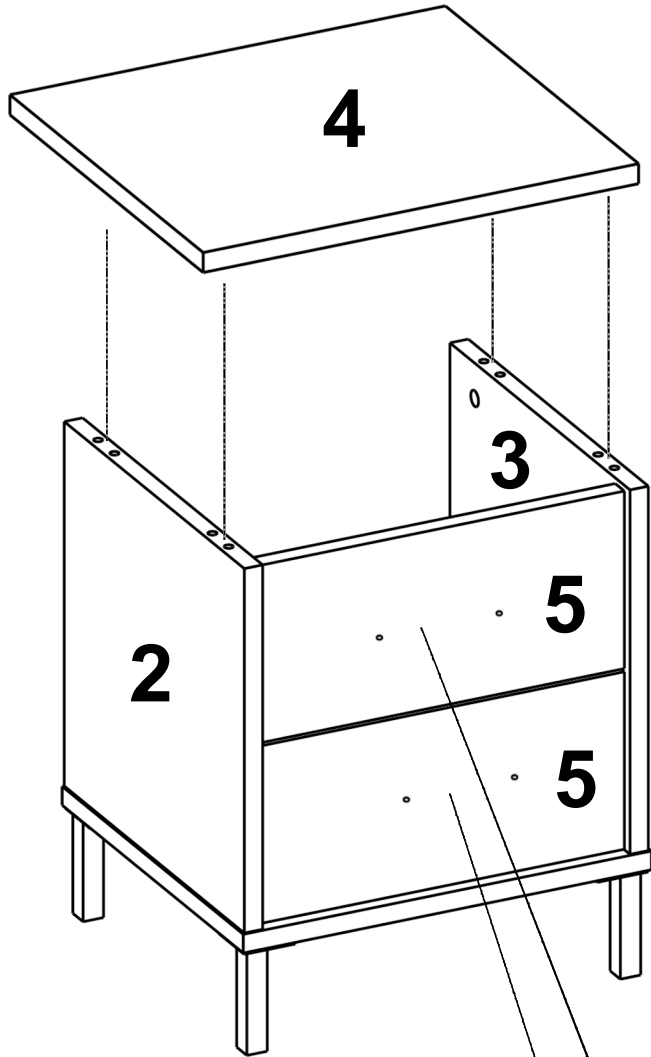
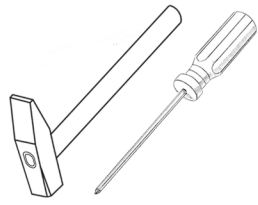


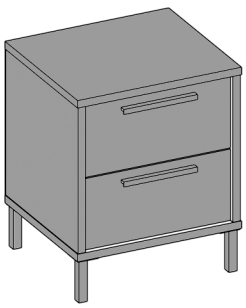
x4

B0201

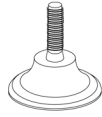


x2





B1702



x4

B0318



x??

